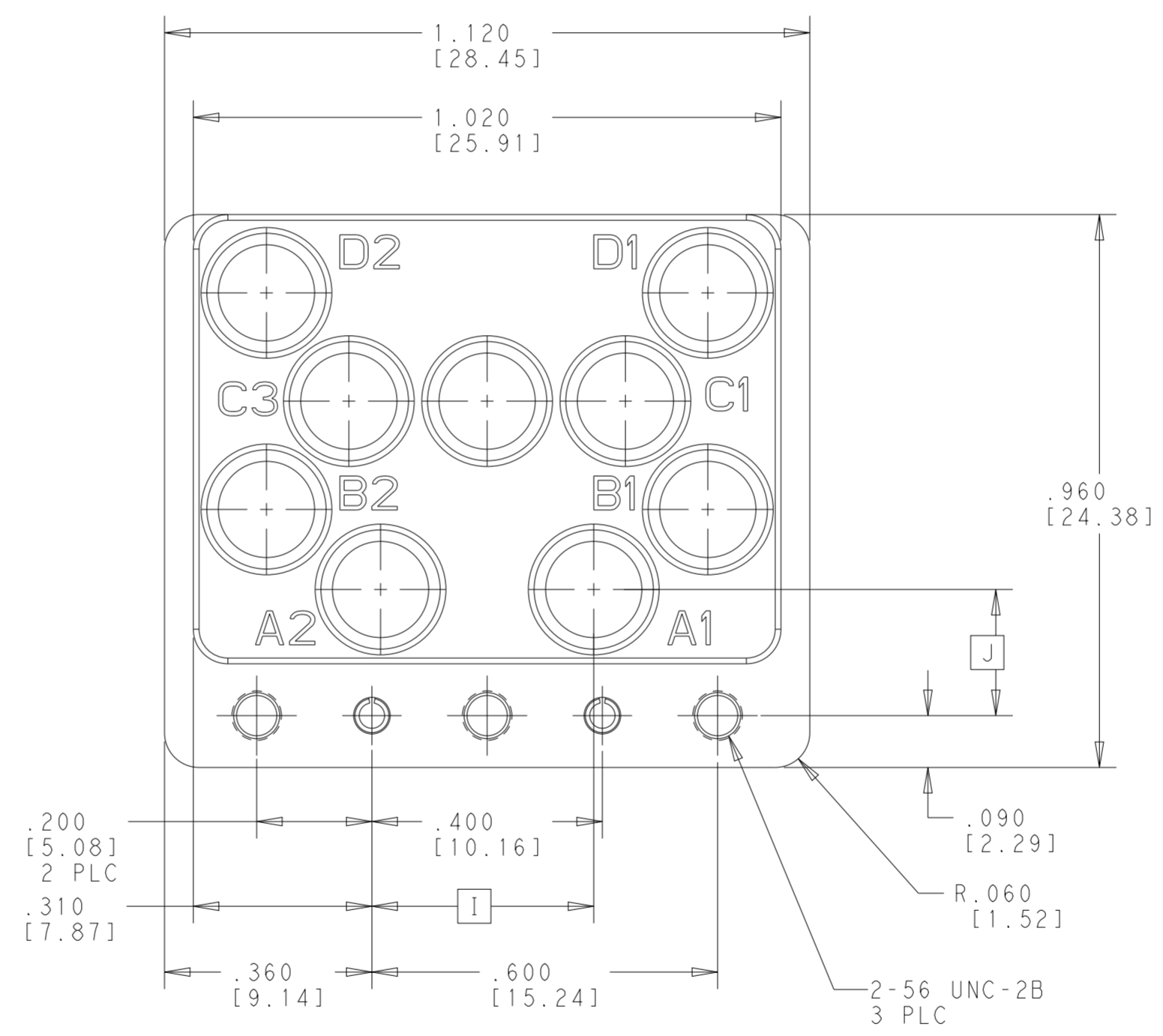
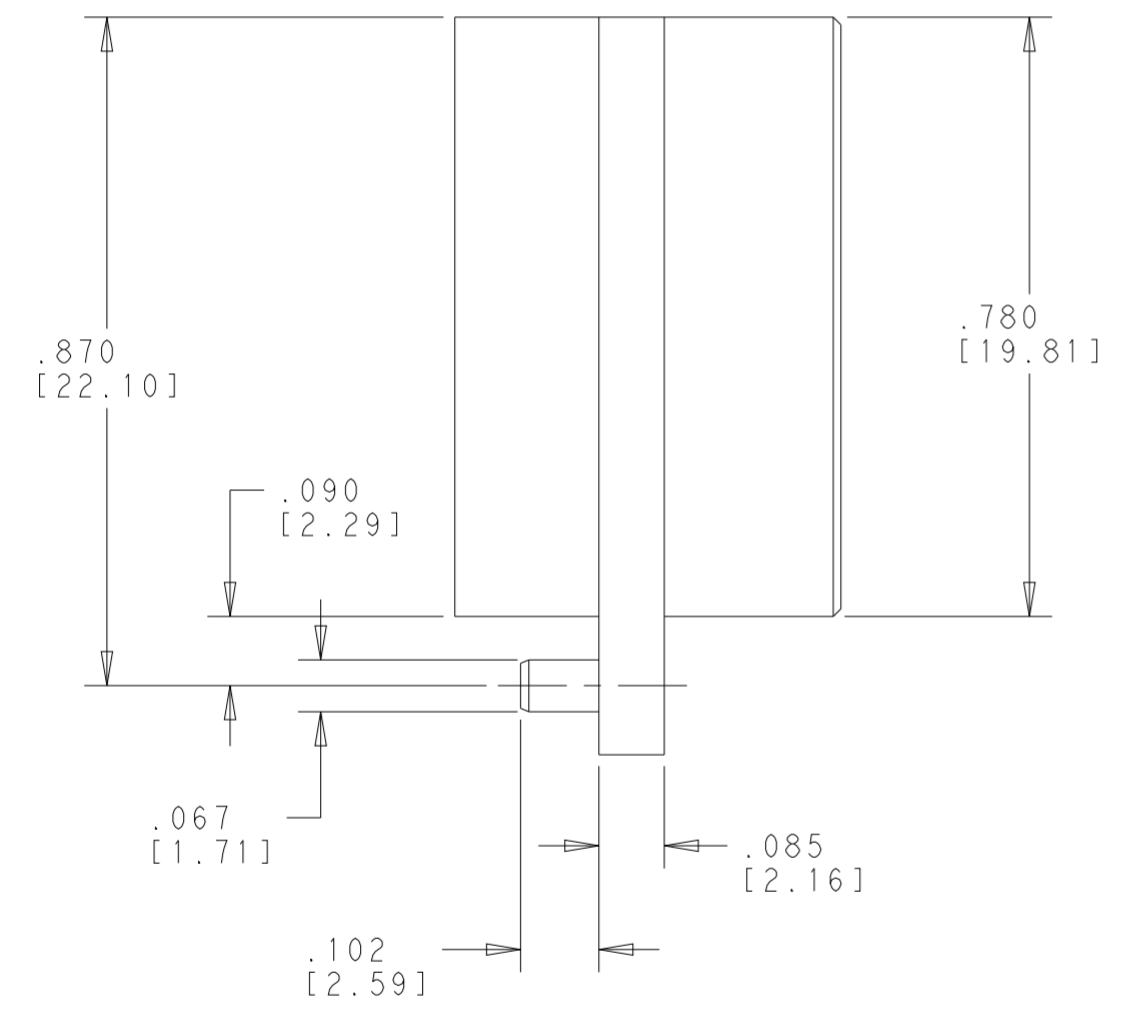
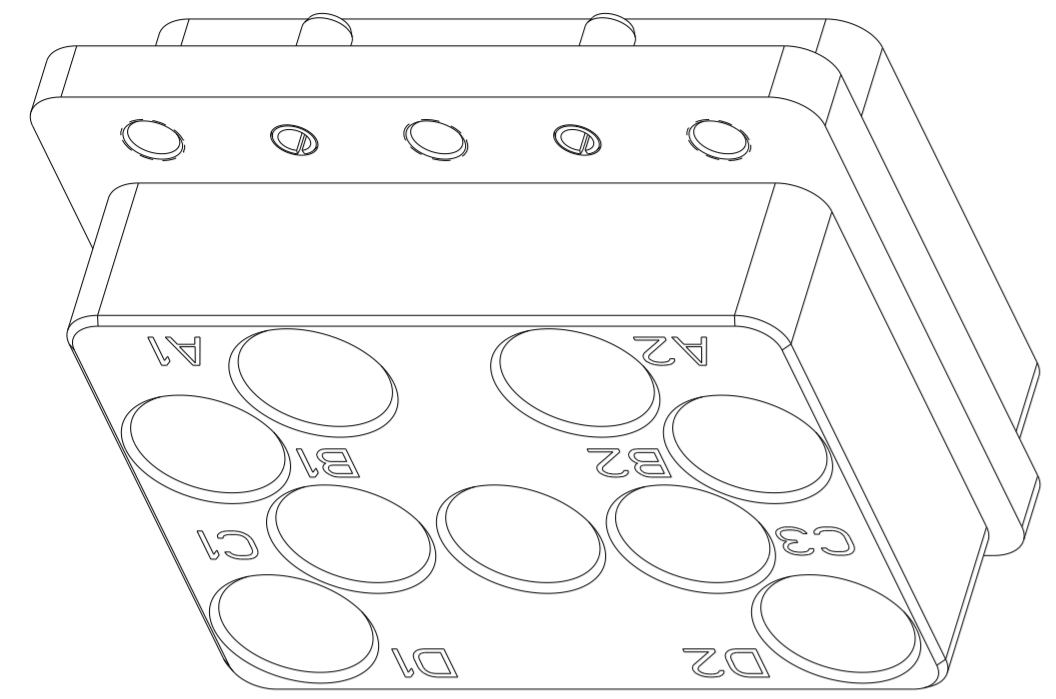


THIS DRAWING IS UNPUBLISHED. RELEASED FOR PUBLICATION 20  
 © COPYRIGHT 20 BY - ALL RIGHTS RESERVED.

REVISIONS				
P	LTR	DESCRIPTION	DATE	APVD
	A	INITIAL RELEASE	10AUG2021	KM CG



HOLE CHART		
HOLE ID	I	J
A1	9.779 [.385]	5.563 [.219]
A2	0.381 [.015]	5.563 [.219]
B1	14.796 [.583]	9.093 [.358]
B2	-4.636 [-.183]	9.093 [.358]
C1	11.176 [.440]	13.868 [.546]
C2	5.080 [.200]	13.868 [.546]
C3	-1.016 [-.040]	13.868 [.546]
D1	14.796 [.583]	18.644 [.734]
D2	-4.636 [-.183]	18.644 [.734]

MATERIALS		
COMPONENT	MATERIAL	FINISH
HOUSING	TYPE 303 STAINLESS STEEL	PASSIVATED
SPRING PIN	NICKEL STAINLESS STEEL	PASSIVATED

THIS DRAWING IS A CONTROLLED DOCUMENT.

DWN: K. MILLER 11NOV2019  
 CHK: C. GINGRICH 11NOV2019  
 APVD: -

TE Connectivity

NAME: MODULE, 9 POSITION, SMPM VITA 67.3 TYPE A, BACKPLANE

PRODUCT SPEC: 108-163026  
 APPLICATION SPEC: 114-32004

SIZE: A2 CAGE CODE: 00779 DRAWING NO: C-2365211 RESTRICTED TO: -

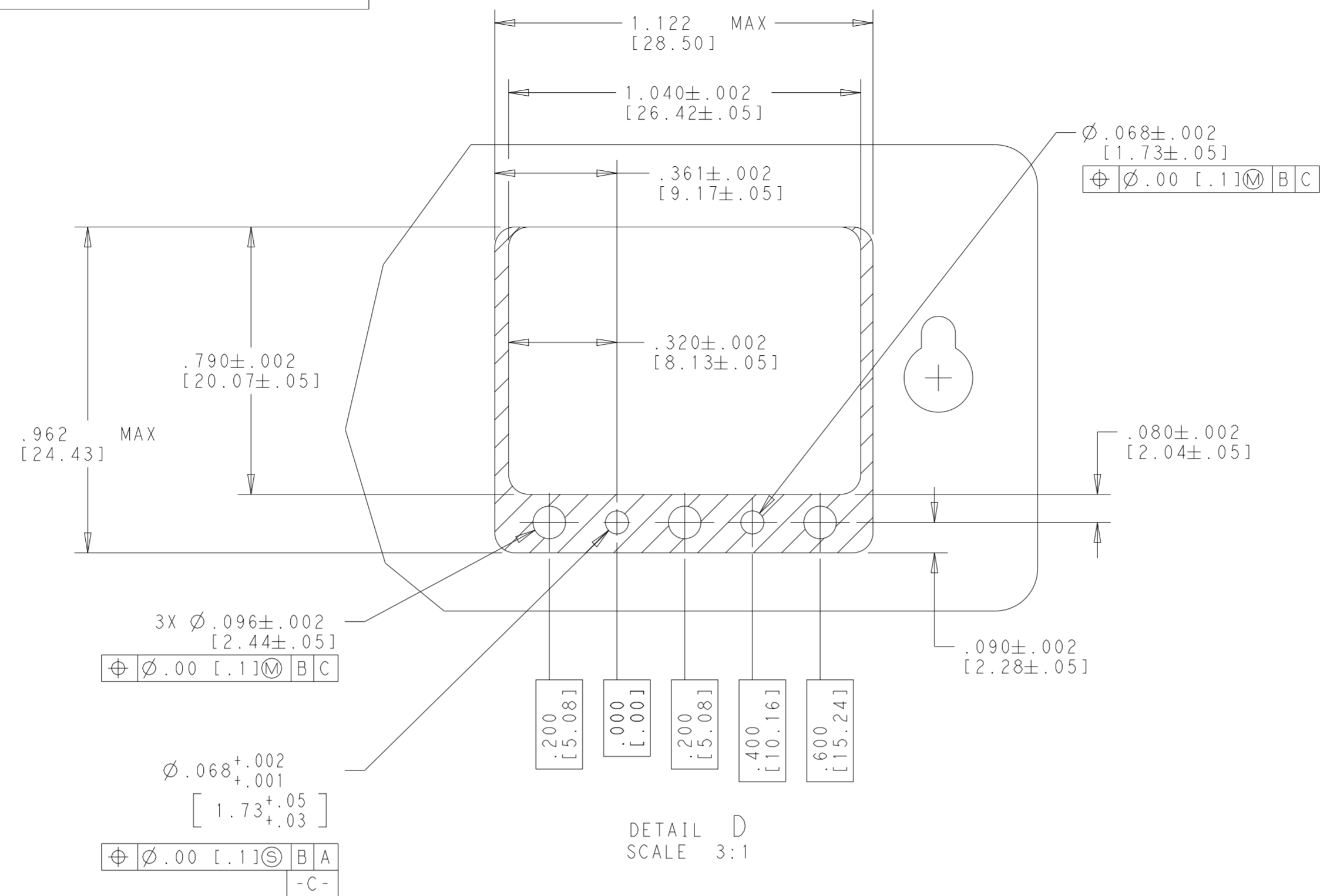
MATERIAL: - FINISH: - WEIGHT: -

CUSTOMER DRAWING SCALE: 4:1 SHEET: 1 OF 2 REV: A

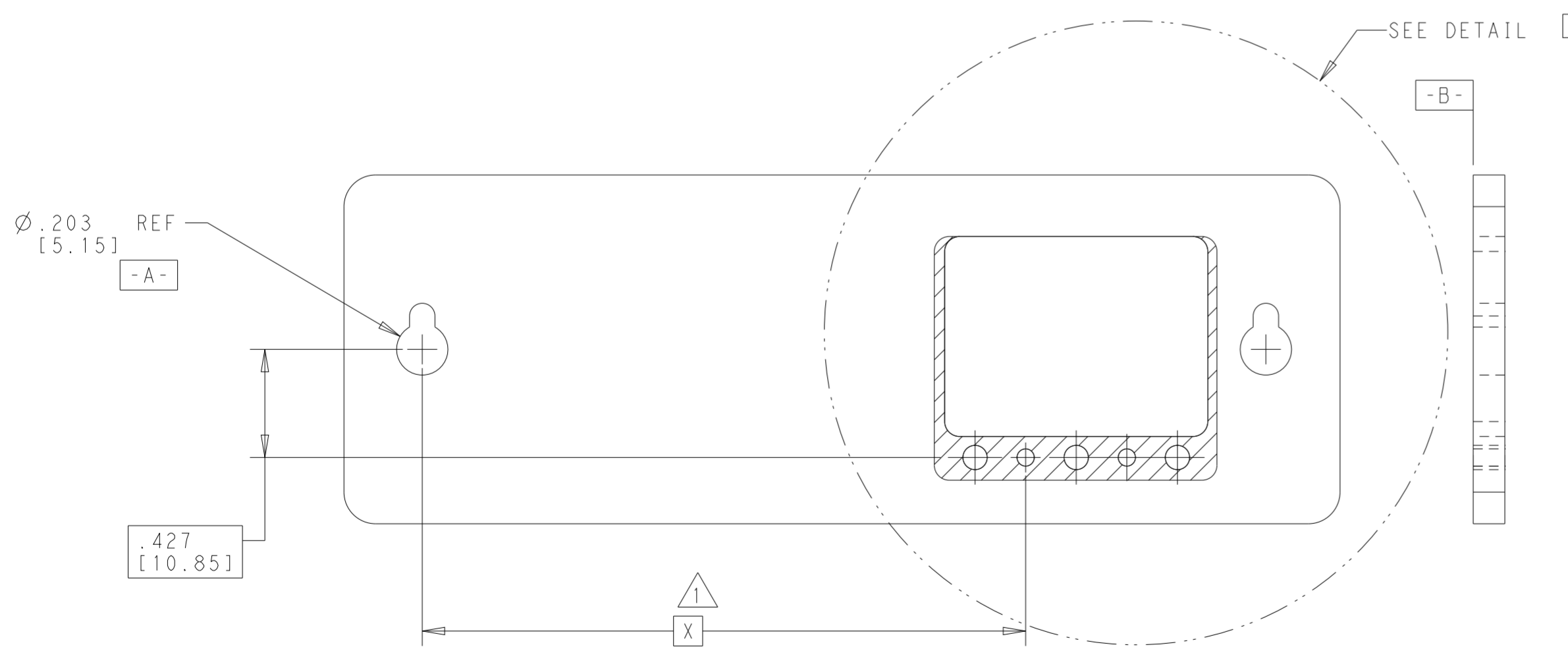
2365211-1  
PART NUMBER

THIS DRAWING IS UNPUBLISHED. RELEASED FOR PUBLICATION 20  
 © COPYRIGHT 20 BY - ALL RIGHTS RESERVED.

REVISIONS				
P	LTR	DESCRIPTION	DATE	APVD
-	-	SEE SHEET 1	-	-



DETAIL D  
SCALE 3:1



SEE VITA 67 SPECIFICATIONS FOR CONNECTOR LOCATION ON BACKPLANE PCB.

THIS DRAWING IS A CONTROLLED DOCUMENT.		DWN K. MILLER 11NOV2019	TE Connectivity	
		CHK C. GINGRICH 11NOV2019		
DIMENSIONS: INCHES [mm]	TOLERANCES UNLESS OTHERWISE SPECIFIED:	APVD -	NAME MODULE, 9 POSITION, SMPM VITA 67.3 TYPE A, BACKPLANE	
	0 PLC ±	PRODUCT SPEC	SIZE CAGE CODE DRAWING NO RESTRICTED TO	
	1 PLC ±	-	A200779 C-2365211 -	
MATERIAL	FINISH	APPLICATION SPEC	SCALE 4:1 SHEET 2 OF 2 REV A	
-	-	WEIGHT	CUSTOMER DRAWING	
-	-	-	-	