



Figure similar

Non-reversing motor starter, Size 2 1/2, Single phase, 2-pole, Amb compensate bimetal OLrelay Contactor amp rating 60Amp 190 220/220 240V 50/60HZ coil, Non-combination type, Enclosure type 4X 304 S-steel, Water/dust tight noncorrosive

product brand name	Class 14 & 22
design of the product	Full-voltage non-reversing motor starter
special product feature	Half-size starter
General technical data	
weight [lb]	14 lb
Height x Width x Depth [in]	16 × 8 × 6 in
touch protection against electrical shock	NA for enclosed products
installation altitude [ft] at height above sea level maximum	6560 ft
ambient temperature [°F]	
• during storage	-22 ... +149 °F
• during operation	-4 ... +104 °F
ambient temperature	
• during storage	-30 ... +65 °C
• during operation	-20 ... +40 °C
country of origin	USA
Horsepower ratings	
yielded mechanical performance [hp] for single-phase AC motor	
• at 115 V rated value	5 hp
• at 200/208 V rated value	10 hp
• at 220/230 V rated value	10 hp
Contactors	
size of contactor	Controller half size 2 1/2
number of NO contacts for main contacts	2
operating voltage for main current circuit at AC at 60 Hz maximum	240 V
operational current at AC at 600 V rated value	60 A
mechanical service life (switching cycles) of the main contacts typical	10000000
Auxiliary contact	
number of NC contacts at contactor for auxiliary contacts	0
number of NO contacts at contactor for auxiliary contacts	1
number of total auxiliary contacts maximum	7
contact rating of auxiliary contacts of contactor according to UL	10A@600VAC (A600), 5A@600VDC (P600)
Coil	
type of voltage of the control supply voltage	AC

control supply voltage	<ul style="list-style-type: none"> • at AC at 50 Hz rated value • at AC at 60 Hz rated value 	190 ... 220 V 220 ... 240 V
holding power at AC minimum		8.6 W
apparent pick-up power of magnet coil at AC		218 V·A
apparent holding power of magnet coil at AC		25 V·A
operating range factor control supply voltage rated value of magnet coil		0.85 ... 1.1
percental drop-out voltage of magnet coil related to the input voltage		50 %
switch ON delay time		19 ... 29 ms
OFF delay time		10 ... 24 ms
Overload relay		
product function	<ul style="list-style-type: none"> • overload protection • test function • external reset 	Yes Yes Yes
reset function		Manual and automatic
adjustment range of thermal overload trip unit		0.85 ... 1.15
number of NC contacts of auxiliary contacts of overload relay		1
number of NO contacts of auxiliary contacts of overload relay		0
operational current of auxiliary contacts of overload relay	<ul style="list-style-type: none"> • at AC at 600 V • at DC at 250 V 	5 A 5 A
contact rating of auxiliary contacts of overload relay according to UL		5A@600VAC (B600), 5A@250VDC (P300)
Enclosure		
degree of protection NEMA rating		4X, 304 stainless steel
design of the housing		Dust-tight, watertight & corrosion resistant
Mounting/wiring		
mounting position		Vertical
fastening method		Surface mounting and installation
type of electrical connection for supply voltage line-side		Box lug
tightening torque [lbf·in] for supply		45 ... 45 lbf·in
temperature of the conductor for supply maximum permissible		75 °C
material of the conductor for supply		AL or CU
type of electrical connection for load-side outgoing feeder		Screw-type terminals
tightening torque [lbf·in] for load-side outgoing feeder		35 ... 50 lbf·in
type of electrical connection of magnet coil		Screw-type terminals
tightening torque [lbf·in] at magnet coil		5 ... 12 lbf·in
type of connectable conductor cross-sections of magnet coil at AWG cables single or multi-stranded		2x (16 ... 12 AWG)
temperature of the conductor at magnet coil maximum permissible		75 °C
material of the conductor at magnet coil		CU
type of electrical connection for auxiliary contacts		Screw-type terminals
tightening torque [lbf·in] at contactor for auxiliary contacts		10 ... 15 lbf·in
type of connectable conductor cross-sections at contactor at AWG cables for auxiliary contacts single or multi-stranded		1x (12 AWG), 2x (16 ... 14 AWG), 2x (18 ... 16 AWG)
temperature of the conductor at contactor for auxiliary contacts maximum permissible		75 °C
material of the conductor at contactor for auxiliary contacts		CU
type of electrical connection at overload relay for auxiliary contacts		Screw-type terminals
tightening torque [lbf·in] at overload relay for auxiliary contacts		5 ... 12 lbf·in
type of connectable conductor cross-sections at overload		2x (16 ... 12 AWG)

relay at AWG cables for auxiliary contacts single or multi-stranded	
temperature of the conductor at overload relay for auxiliary contacts maximum permissible	75 °C
material of the conductor at overload relay for auxiliary contacts	CU
Short-circuit current rating	
design of the fuse link for short-circuit protection of the main circuit required	10kA@600V (Class H or K); 100kA@600V (Class R or J)
design of the short-circuit trip	Thermal magnetic circuit breaker
breaking capacity maximum short-circuit current (Icu) <ul style="list-style-type: none"> • at 240 V • at 480 V • at 600 V 	14 kA 10 kA 10 kA
certificate of suitability	NEMA ICS 2; UL 508; CSA 22.2, No.14
Further information	

Industrial Controls - Product Overview (Catalogs, Brochures,...)

www.usa.siemens.com/iccatalog

Industry Mall (Online ordering system)

<https://mall.industry.siemens.com/mall/en/us/Catalog/product?mlfb=US2:14GP12WG81>

Service&Support (Manuals, Certificates, Characteristics, FAQs,...)

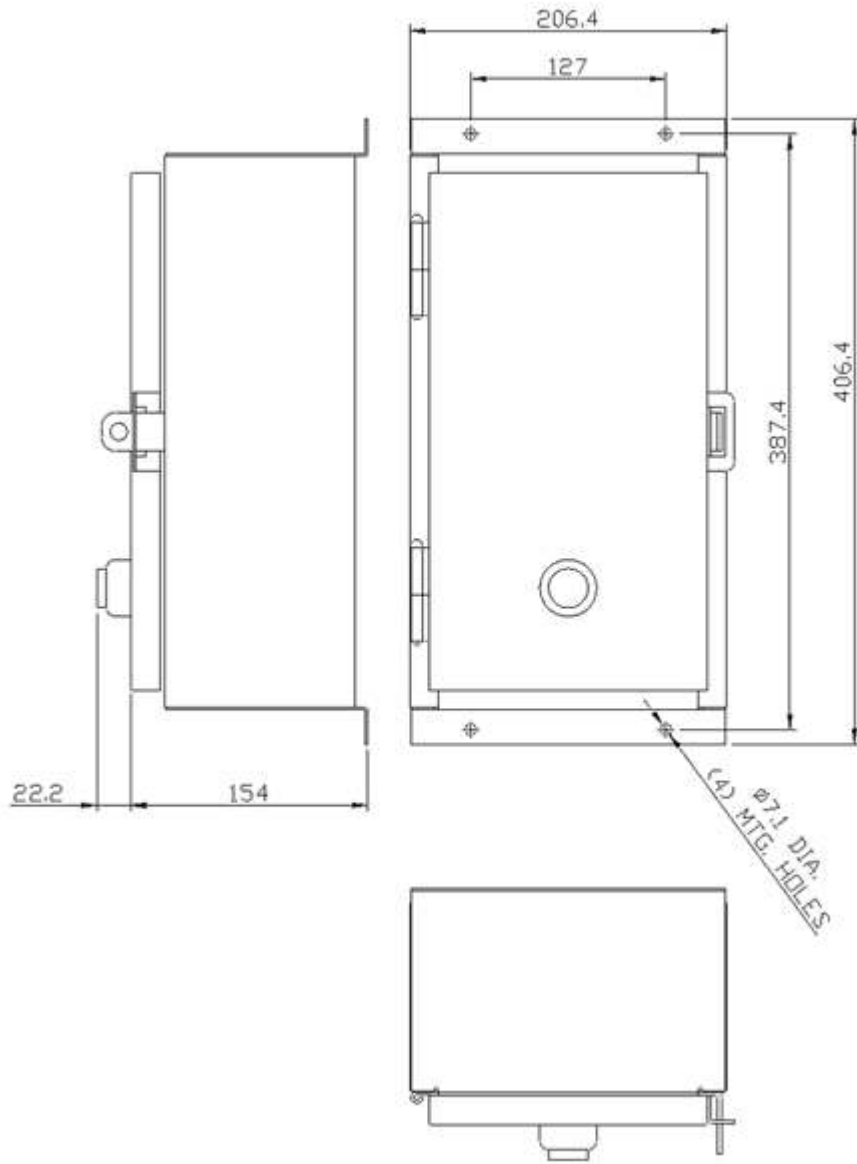
<https://support.industry.siemens.com/cs/US/en/ps/US2:14GP12WG81>

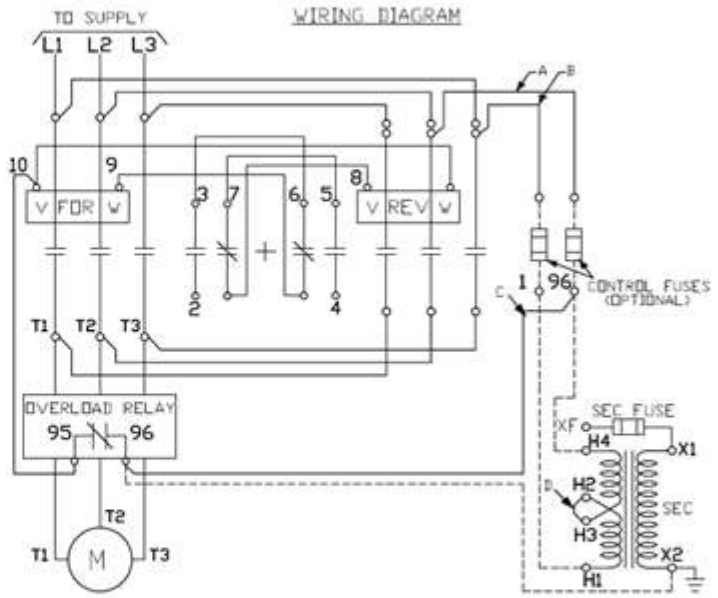
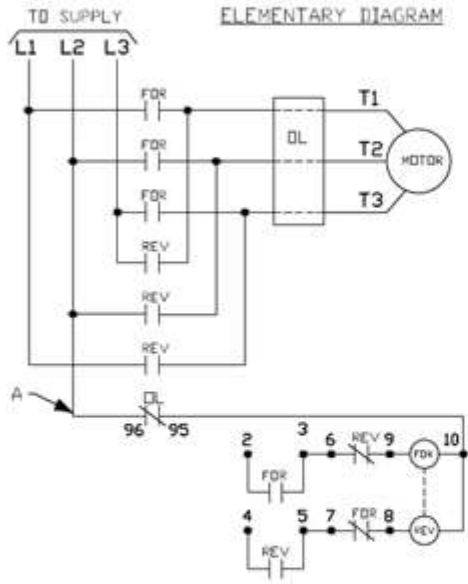
Image database (product images, 2D dimension drawings, 3D models, device circuit diagrams, EPLAN macros, ...)

http://www.automation.siemens.com/bilddb/cax_de.aspx?mlfb=US2:14GP12WG81&lang=en

Certificates/approvals

<https://support.industry.siemens.com/cs/US/en/ps/US2:14GP12WG81/certificate>





last modified:

3/8/2020