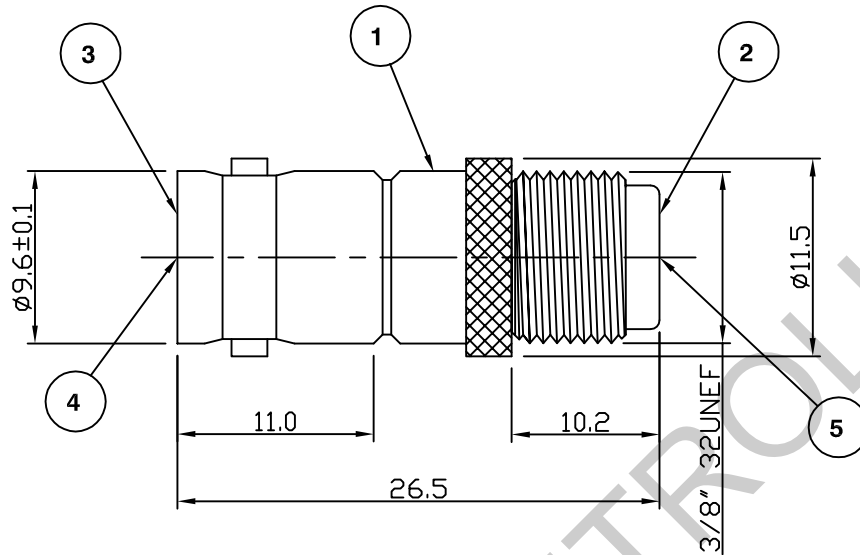


RoHS COMPLIANT



Electrical Characteristics

Nominal Impedance: Non constant
 Frequency Range: DC to 2 GHz

Mechanical Characteristics

Mating Cycles: 200 cycles minimum
 Interface Dimensions: Conform to MIL-C-39012

Environmental Characteristics

Temperature Range: -55 °C to +85 °C

	PART	DESCRIPTION
1	Body	Brass, nickel plated
2	Dielectric	Polypropylene
3	Dielectric	POM
4	Contact	Brass, gold plated
5	Bobbin	P Cu, nickel plated

Dimensional changes	JW	3	22 Jun 06
CAD Issue	SN	2	02 Oct 02
First Issue	IS	1	14 July 97
DESCRIPTION OF REVISION	APPVD	ISS	DATE



Cinch Connectivity Solutions
 7-13 Russel Way,
 Widford Industrial Estate,
 Chelmsford, Essex,
 CM1 3AA, UK.
 Tel: +44 (0) 1245 359515
 Fax: +44 (0) 1245 358938

SCALE: Not To Scale

DIMENSIONS: mm

TOLERANCES:
 ± 0.2mm unless
 otherwise stated

DRAWN BY:

J Williams

CHECKED BY:

M Terry

APPROVED BY:

A Tusi

DATE:

22 Jun 06

TITLE:

BNC Jack to F Jack

PART NUMBER:

VA216

PAGE: 1 of 1