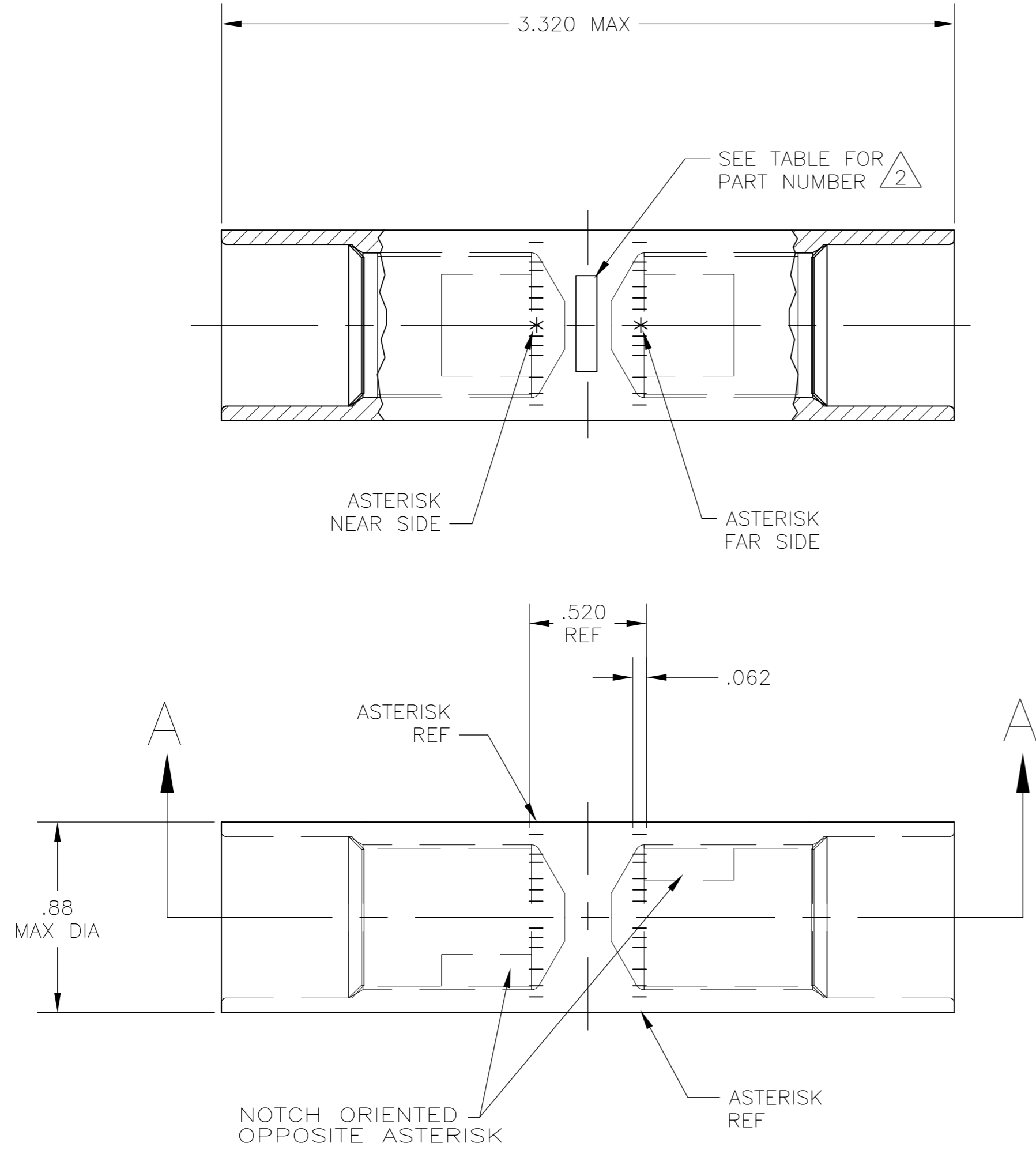
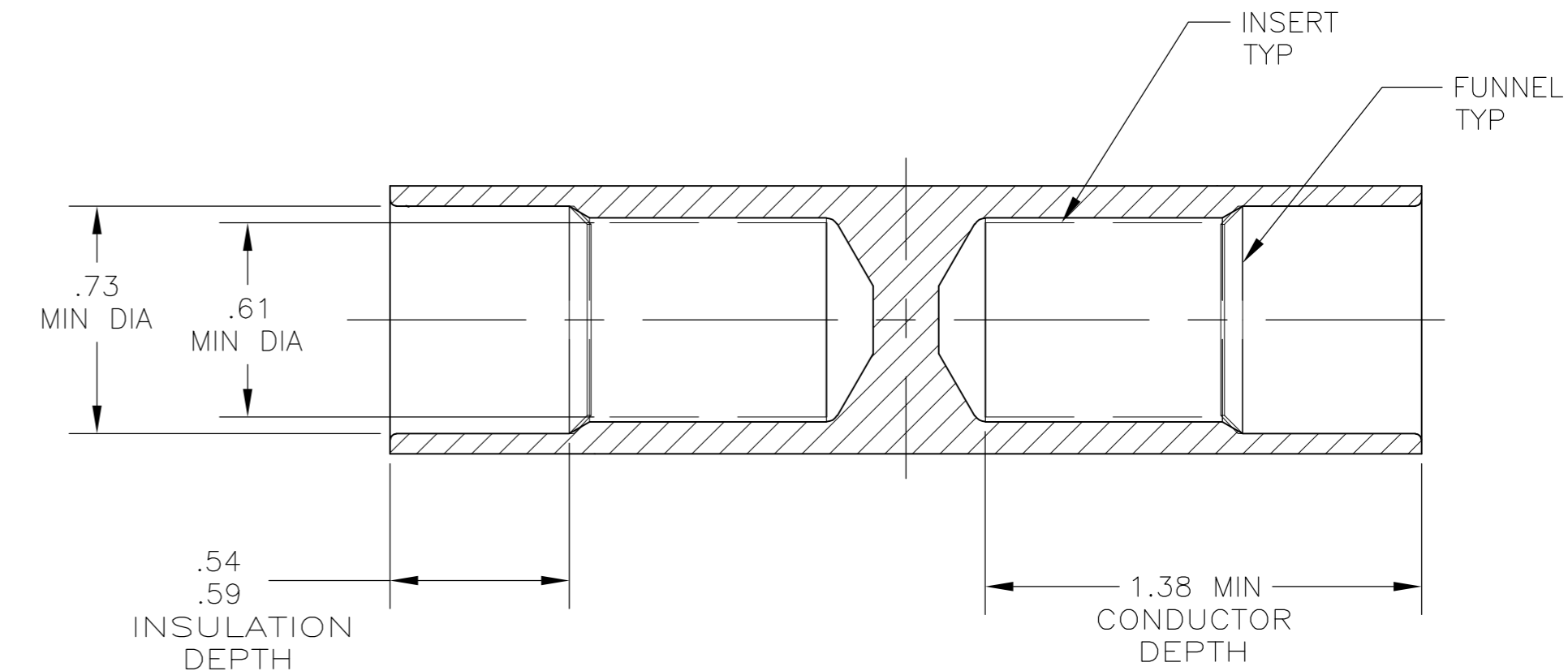


THIS DRAWING IS UNPUBLISHED. RELEASED FOR PUBLICATION
 © COPYRIGHT - By - ALL RIGHTS RESERVED.

LOC	DIST	REVISIONS			
P	LTR	DESCRIPTION	DATE	DWN	APVD
G	86				
G		REVISED PER ECO-11-011932	12JUL11	PY	BW



- 1 WIRE INSULATION: .604-.670 DIA
- Δ 2 STAMP " 696849-x AMP 4/OAL-3/OCU 13-78" SIZE AND LOCATION APPROX AS SHOWN



SECTION A-A

BODY: COPPER ASTM B-187, ANNEALED TIN PL PER ASTM B-545 .000150 MIN THK INSERT & FUNNEL: BRASS ASTM B36 NICKEL PL SAE AMS QQ-N-290A, DATED JULY 2000, 0.00254 [.000100] MIN THK	696849-1
MATERIAL AND FINISH	PART NO

THIS DRAWING IS A CONTROLLED DOCUMENT.		DWN	JR RUTH	100CT05		TE Connectivity				
DIMENSIONS: MM [INCHES]		CHK	MS FEHER	100CT05		NAME				
TOLERANCES UNLESS OTHERWISE SPECIFIED:		APVD	MJ SPICER	100CT05		WIRE SPLICE, BUTT, COPALUM				
0 PLC ± - 1 PLC ± - 2 PLC ± .008 3 PLC ± - 4 PLC ± - ANGLES ± -		PRODUCT SPEC				SIZE	CAGE CODE	DRAWING NO	RESTRICTED TO	
MATERIAL	SEE TABLE	FINISH	SEE TABLE	WEIGHT	1.30 GRAMS	A2	00779	C=696849	—	
				CUSTOMER DRAWING	SCALE	2:1	SHEET	1 of 1	REV	G

696849