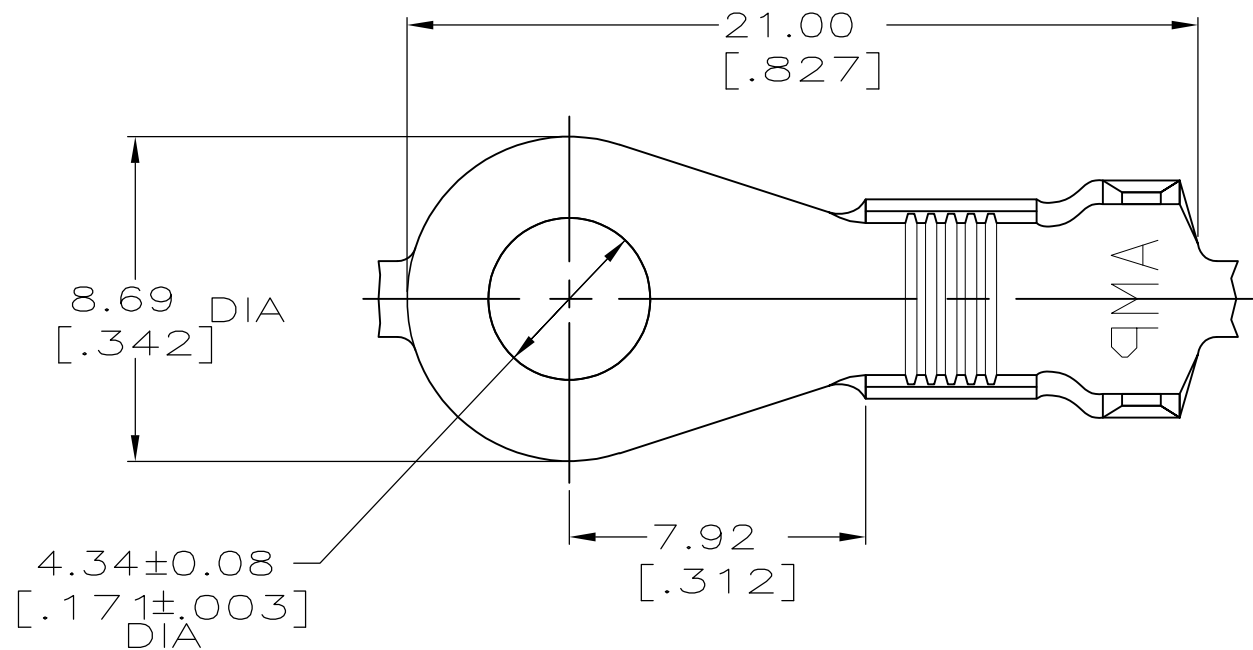


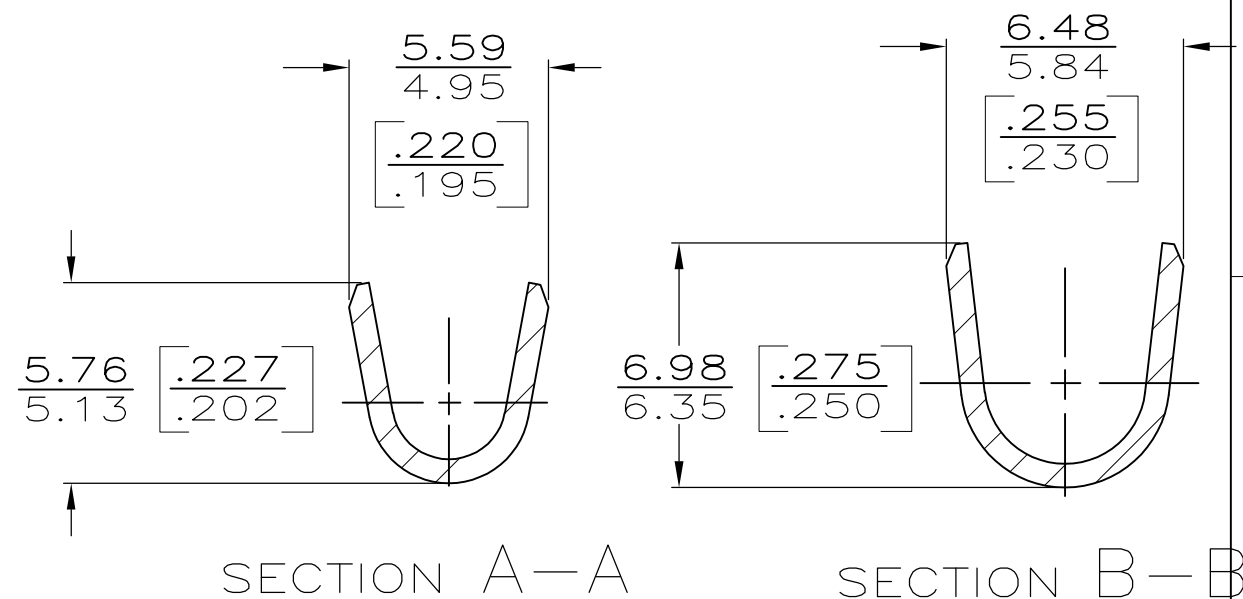
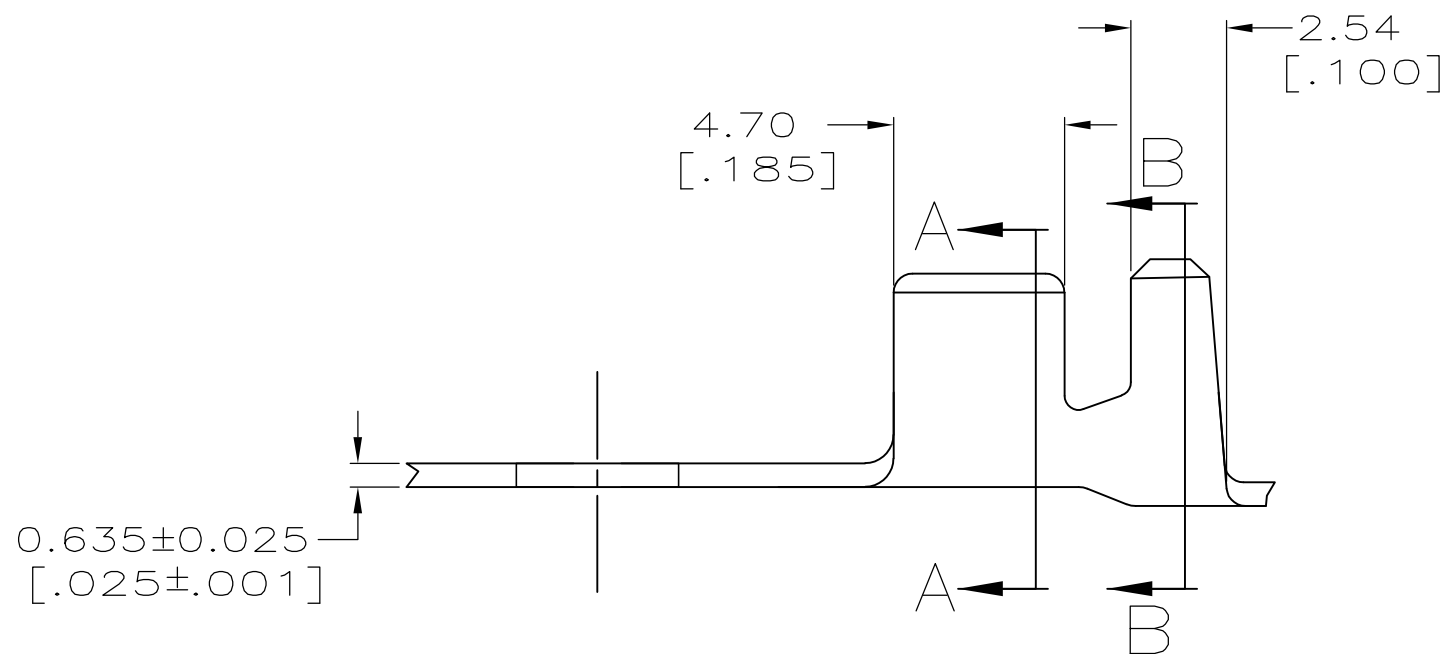
LOC AF DIST 50

REVISIONS

P	LTR	DESCRIPTION	DATE	DWN	APVD
	F	REVISE PER ECR-13-013738	15FEB2014	GRZ	JL



1 CONTINUOUS STRIP ON REELS.



3.81-4.83 [.150-.190] DIA (2) 2.92 [.115]	(2) 1.15mm ² -[17] AWG OR (2) 1.45mm ² -[15] AWG	60752-2
INSULATION RANGE	MAGNET WIRE RANGE	PART NUMBER

THIS DRAWING IS A CONTROLLED DOCUMENT.		DWN P FORTNEY 5/30/91	STE TE Connectivity	
		CHK MS FEHER 5/30/91		
DIMENSIONS: INCHES	TOLERANCES UNLESS OTHERWISE SPECIFIED:	APVD - 5/30/91 G YETTER	NAME RING,AMPLIVAR	
	0 PLC ± - 1 PLC ± - 2 PLC ± 0.38 [.015] 3 PLC ± - 4 PLC ± - ANGLES ± -	PRODUCT SPEC - 5/30/91 R WEAVILL	APPLICATION SPEC -	
MATERIAL BRASS	FINISH 0.002032 [.000080] MIN TIN PL PER MIL-T-10727	WEIGHT -	SIZE A3	CAGE CODE 00779
CUSTOMER DRAWING			DRAWING NO C-60752	RESTRICTED TO -
			SCALE 5:1	SHEET 1 OF 1
			REV F	