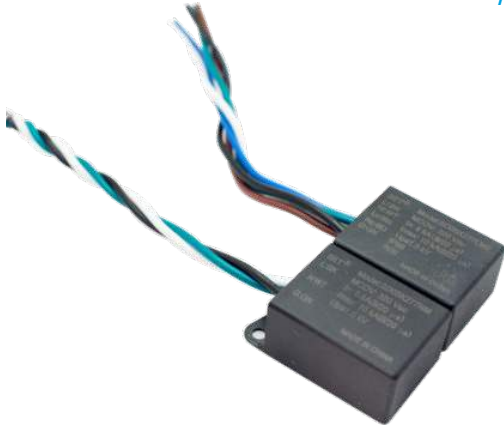


# LED Driver Surge Protection PLUS

10kV  $U_{oc}$    5kA  $I_n$    10kA  $I_{max}$

## Hardwired Series



### Applications

- Highway & Street lighting
- Parking Lots & Pathways
- Bus & Train Depot Lighting
- Digital Signs
- Parking Garages & Tunnels

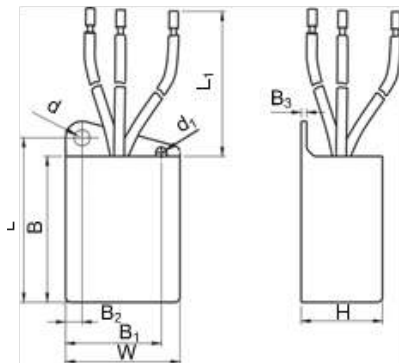
*\*GDT – optional gas discharge tube / MOV hybrid circuit to eliminate leakage and follow on current extending the life of the surge protector.*

### Features

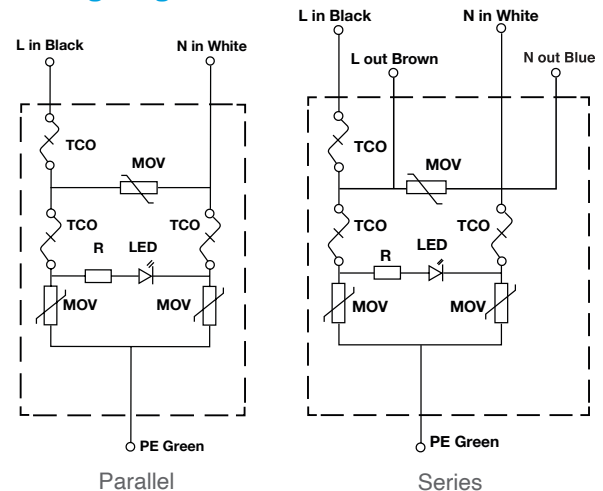
- Small, Compact Footprint
- Series or Parallel Connection
- L-N, L-G, N-G Protection
- Safety Thermal Fusing
- Diagnostic Light
- Mounting Tab
- 10-Year Product Warranty
- Lifetime Warranty for GDT\* Models
- IP 66 Rated

## Dimensional Drawing (in)

L	1.75
L <sub>1</sub>	6.00
W	1.22
H	0.87
d	0.17
d <sub>1</sub>	0.12
B	1.56
B <sub>1</sub>	1.02
B <sub>2</sub>	0.18
B <sub>3</sub>	0.06



## Wiring Diagram



Product Model	Operating Voltage	$I_n$	$I_{MAX}$	$U_{oc}$	MCOV	Clamp Voltage	Thermal Fusing	3-Mode Protection	Gas Discharge Tube	Green Diagnostic Light	Mounting Tab	Operating Temperature	Wiring Configuration
AP5P277MG	120V-277V	5kA	10kA	10kV	320V	1300V	✓		✓	✓	✓	-40°C to +70°C	Parallel
AP5S277MG	120V-277V	5kA	10kA	10kV	320V	1300V	✓		✓	✓	✓	-40°C to +70°C	Series
AP5P277G	120V-277V	5kA	10kA	10kV	320V	1300V	✓	✓	✓	✓	✓	-40°C to +70°C	Parallel
AP5S277G	120V-277V	5kA	10kA	10kV	320V	1300V	✓	✓	✓	✓	✓	-40°C to +70°C	Series
AP5P277L	120V-277V	5kA	10kA	10kV	320V	1200V	✓	✓		✓	✓	-40°C to +70°C	Parallel
AP5S277L	120V-277V	5kA	10kA	10kV	320V	1200V	✓	✓		✓	✓	-40°C to +70°C	Series