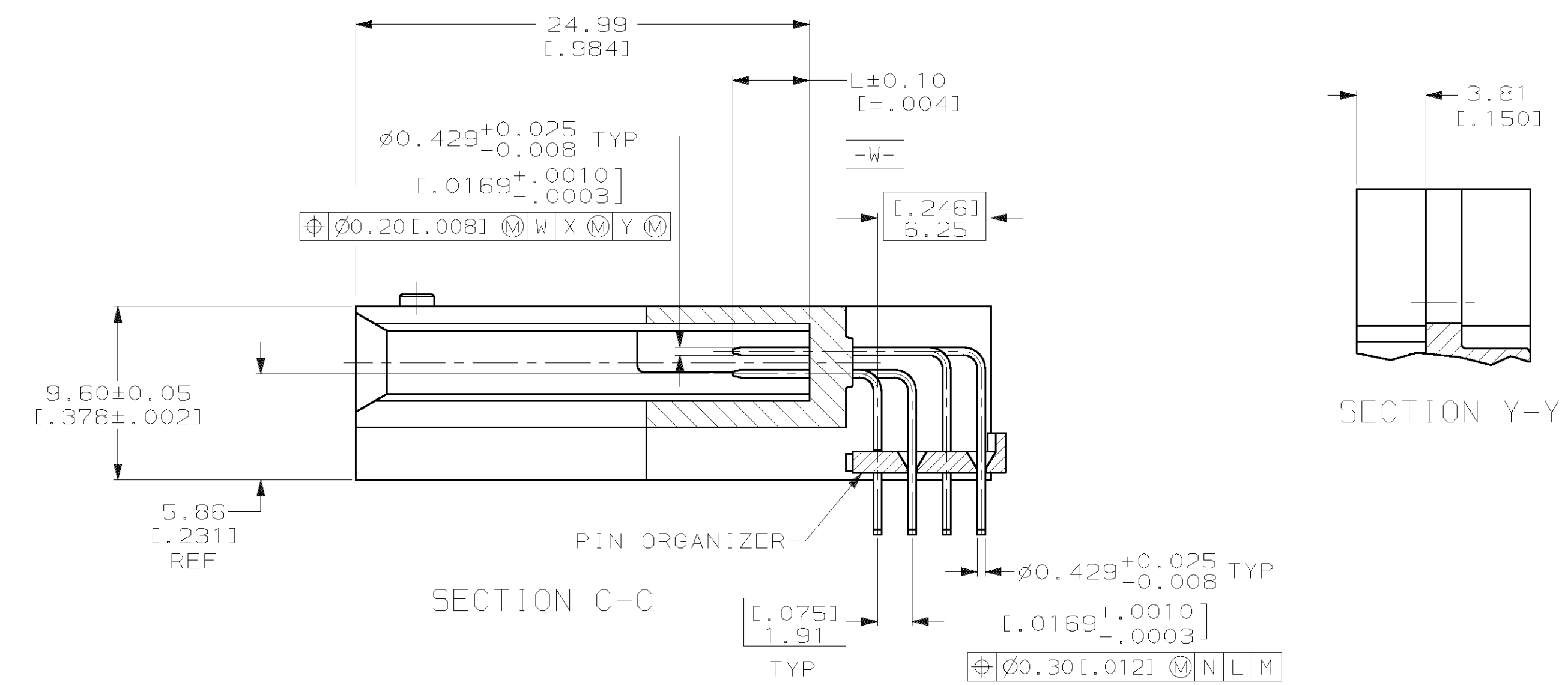
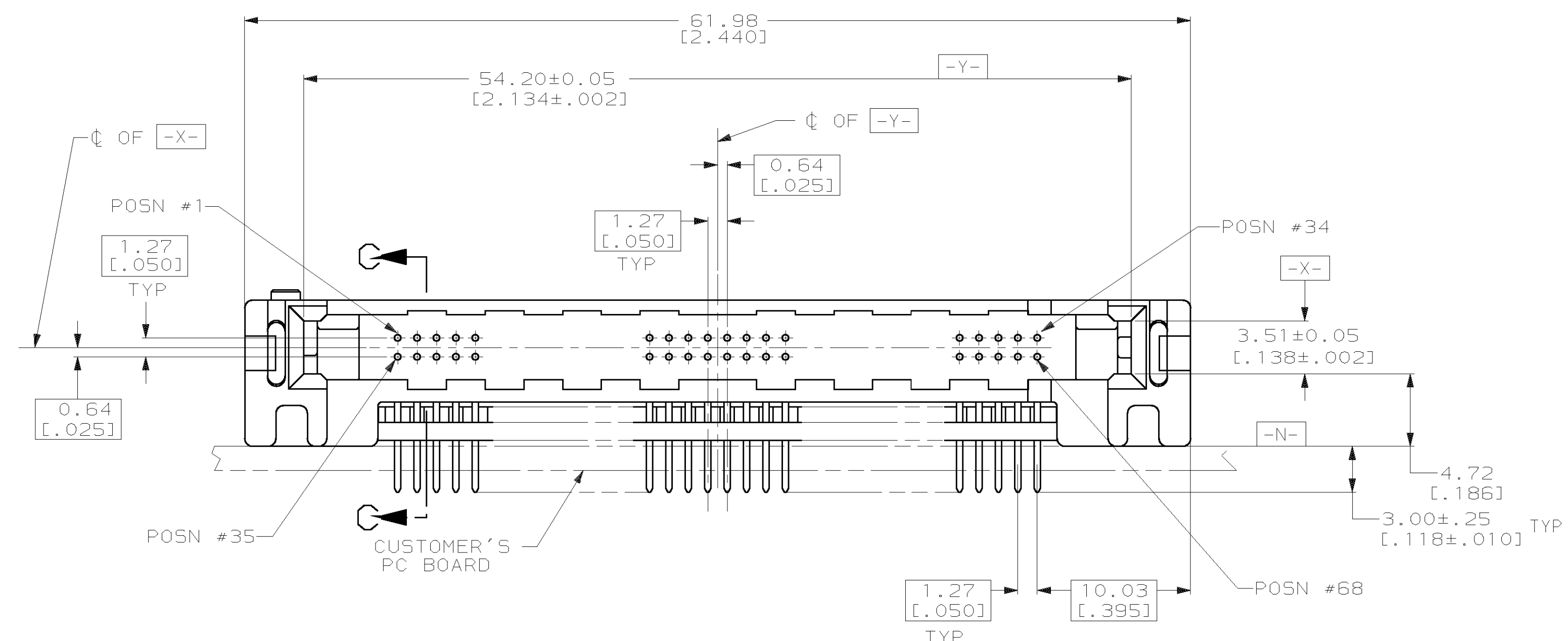
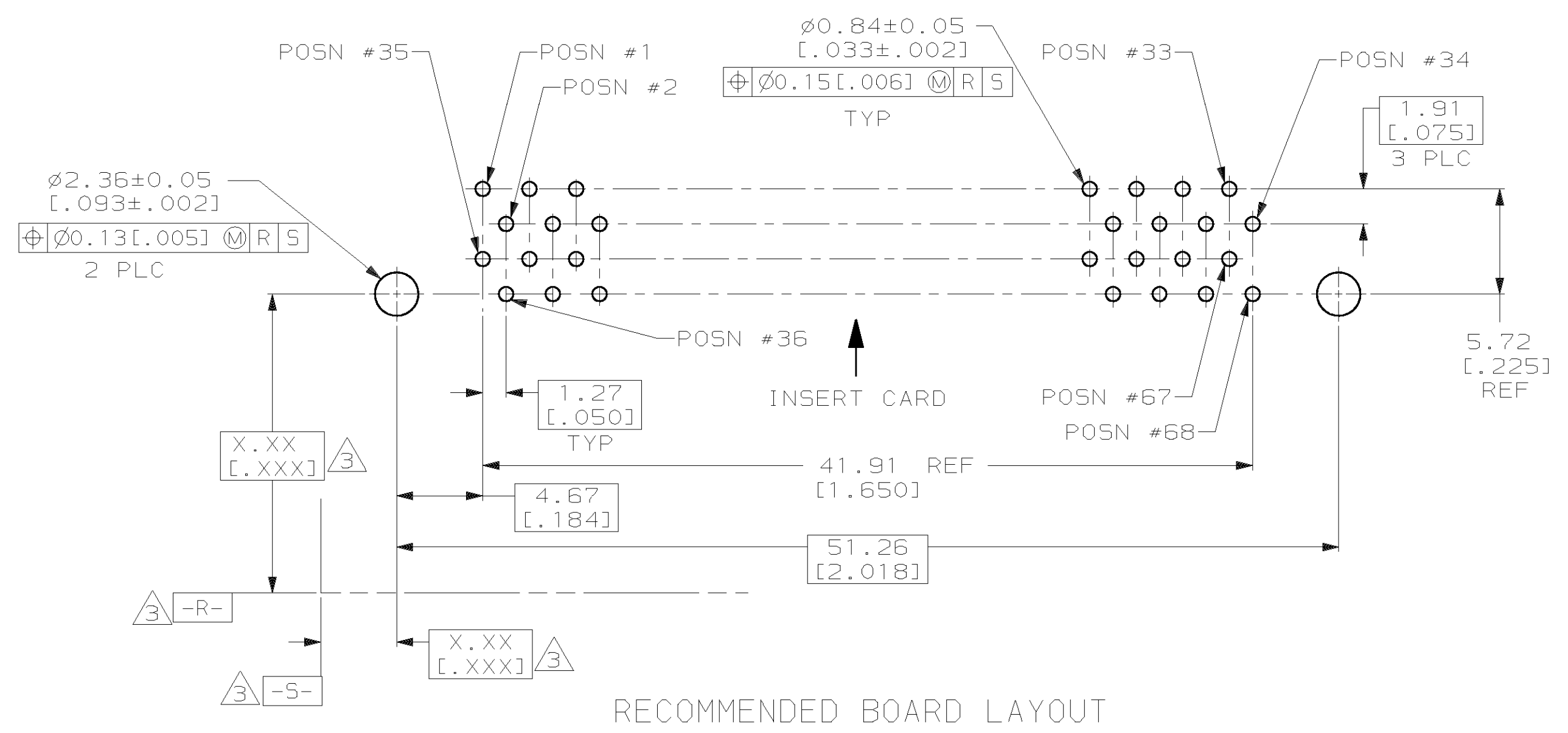
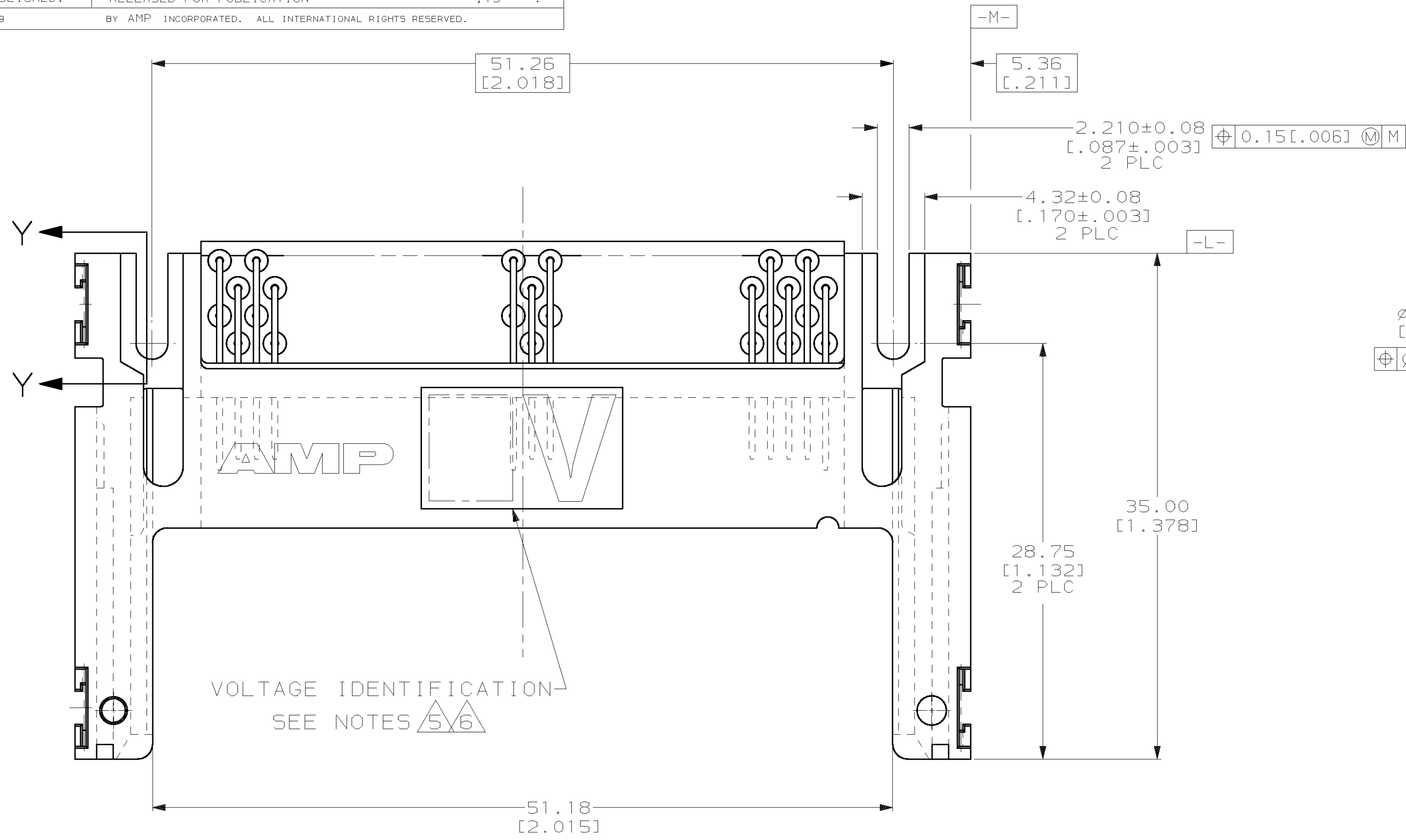


LOC	DIST	P	F	ZONE	LTR	DESCRIPTION	DATE	APPD
GP	00					RELEASED PER PPR	3/8/93	BE
						REV PER EC 0010-0128-94	2/7/94	BE
						OBS -2 PER EC 0410-0185-96	10 JUL 97	VR
						REV PER EC 051A-0357-00	13NOV00	RW
						REV PER 051A-0101-01	05/23/01	RW



1 0.00076[0.000030] MINIMUM GOLD IN CONTACT AREA, 0.00381[0.000150] MIN TIN-LEAD ON SOLDER TAILS, ALL OVER 0.00127[0.000050] MINIMUM NICKEL

- 2 CUSTOMER TO PROVIDE CARD GUIDANCE SYSTEM
- 3 DATUMS AND BASIC DIMENSIONS ESTABLISHED BY CUSTOMER
- 4 CONNECTOR REQUIRES USE OF 2 - SIZE 2M SCREWS FOR FASTENING TO PRINTED CIRCUIT BOARD
- 5 ASSEMBLY KEYED FOR 5 VOLT CARDS
- 6 ASSEMBLY KEYED FOR LOW VOLT CARDS (3.3V)

VOLTAGE KEYING & IDENTIFICATION	5.0 [0.197]	4.25 [0.167]	3.5 [0.138]	
	"L" (PIN LENGTH) AND LOCATION			PART NO

DO NOT SCALE PRINT. UNLESS SPECIFIED DIMENSIONS IN mm [INCHES] TOLERANCES ON: 2 PLC DEC ± 0.13 [0.005] 3 PLC DEC ± - ANGLES ± -	DR 3/8/93 J MOSER CHK 3/8/93 B ELICKER APPD 3/8/93 B ELICKER	AMP AMP Incorporated Harrisburg, PA 17105-3608
HOUSING & ORGANIZER: LCP, COLOR; BLACK PIN: BRASS FINISH	APPD 3/8/93 B FLINCHBAUGH PRODUCT SPEC -	
PIN: 1	APPLICATION SPEC - WEIGHT 8.5 GRAMS	NAME PIN HEADER ASSY, 68 POSN, RAISED HEIGHT, TOP BD MTG, THRU-HOLE, AMP MEMORY CARD
	SIZE D CAGE CODE 00779 DRAWING NO C-535655	
	SCALE 4:1	SHEET 1 OF 1

THIS DRAWING IS A CONTROLLED DOCUMENT FOR AMP INCORPORATED. IT IS SUBJECT TO CHANGE AND THE CONTROLLING ENGINEERING ORGANIZATION SHOULD BE CONTACTED FOR THE LATEST REVISION.