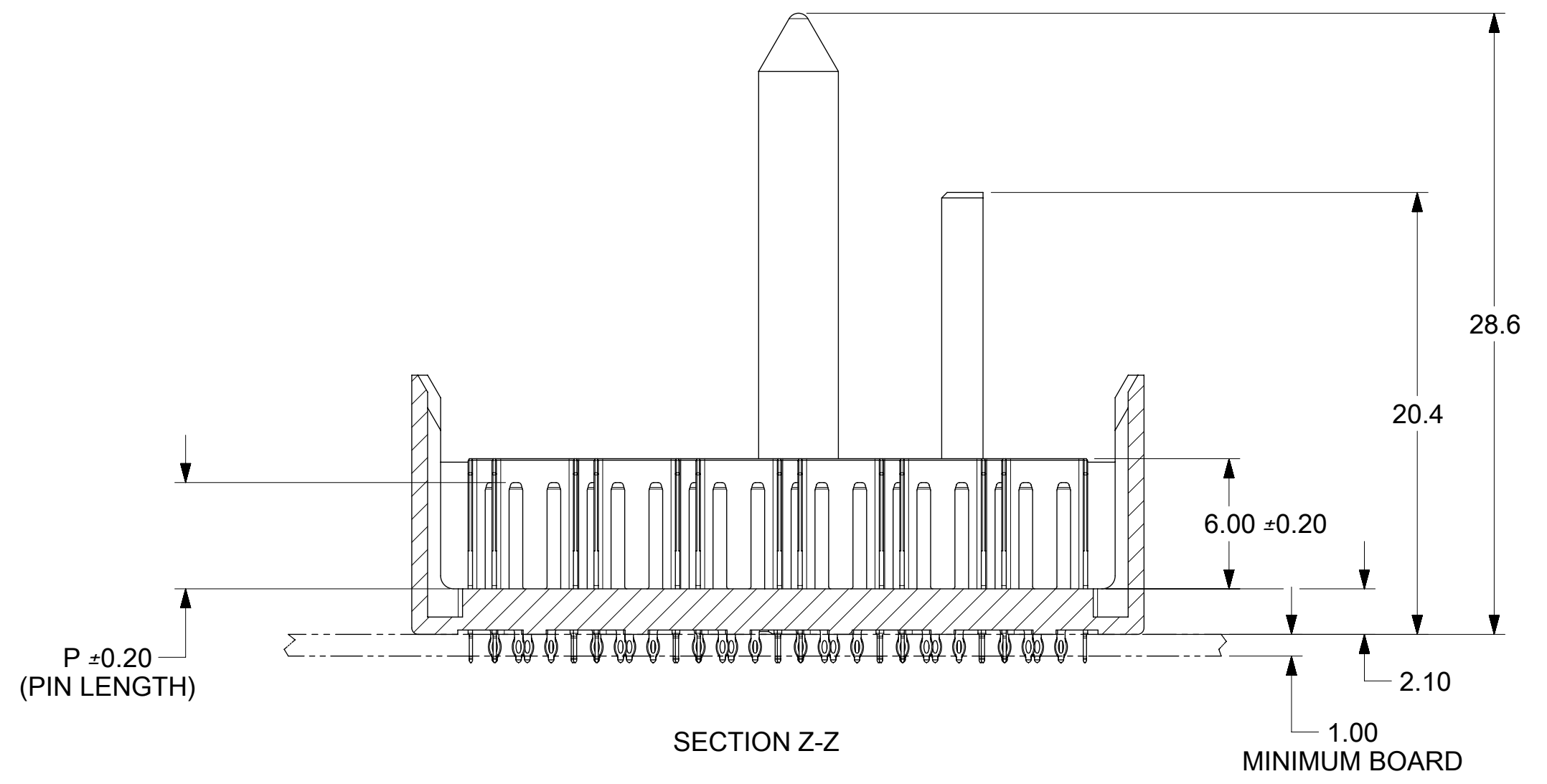


- NOTES:
1. MATERIALS: HOUSING - LIQUID CRYSTAL POLYMER (LCP)
GLASS-FILLED, UL94V-0
TERMINALS - HIGH PERFORMANCE COPPER ALLOY
 2. FINISH: 30uIN GOLD IN CONTACT AREA.
SELECTIVE TIN ON PCB TAILS.
NICKEL OVERALL.
 3. REFER TO MOLEX PRODUCT SPECIFICATION PS-171320-999 FOR PERFORMANCE SPECIFICATIONS.
 4. THIS PART CONFORMS TO CLASS B REQUIREMENTS OF MOLEX COSMETIC SPEC PS-45499-002.
 5. PRODUCT WILL BE PACKAGED PER PK-78888-087.
 6. SEE SHEETS 2, 3, AND 4 FOR HOLE PATTERN AND MATED PART DIMENSIONS.
 7. MATES WITH IMPEL DC SERIES NUMBER 171400.
 8. REFER TO IMPEL PCB ROUTING GUIDE AS-171320-990 FOR ANTIPAD, ROUTING RECOMMENDATIONS, AND ADDITIONAL PCB INFORMATION.
 9. WHEN STACKING MODULES END TO END, THE MINIMUM COLUMN TO COLUMN SPACING IS 2.65mm.
 10. THE KEEP-OUT ZONE FOR THE BP HOUSING LENGTH INCLUDES THE NECESSARY SPACE REQUIRED FOR THE MATING DAUGHTERCARD HOUSING.
 11. PART IS SUPPLIED WITH ONE 2-56 UNC-2A SCREW (MOLEX P/N 73774-1000).



THIS DRAWING CONTAINS INFORMATION THAT IS PROPRIETARY TO MOLEX ELECTRONIC TECHNOLOGIES, LLC AND SHOULD NOT BE USED WITHOUT WRITTEN PERMISSION									
DIMENSION UNITS		SCALE		CURRENT REV DESC: MIGRATED TO NX				molex	
MM		4:1							
GENERAL TOLERANCES (UNLESS SPECIFIED)				EC NO: 601136				IMPEL 6 PAIR BACKPLANE GUIDE LEFT ASSEMBLY SALES DRAWING	
ANGULAR TOL		± 0.5°		DRWN: TMARRI		2018/02/02			
4 PLACES		±		CHK'D: DWLEE01		2018/07/24			
3 PLACES		±		APPR: DWLEE01		2018/07/24		PRODUCT CUSTOMER DRAWING	
2 PLACES		± 0.13		INITIAL REVISION:				DOCUMENT NUMBER	
1 PLACE		± 0.25		DRWN: JLAURX		2012/01/19		SD-171395-0002	
0 PLACES		±		APPR: JLAURX		2012/11/27		DOC TYPE DOC PART REVISION	
DRAFT WHERE APPLICABLE MUST REMAIN WITHIN DIMENSIONS				THIRD ANGLE PROJECTION		DRAWING		MATERIAL NUMBER	
				C-SIZE		SERIES		CUSTOMER	
				C-SIZE		171395		SEE CHART	
								GENERAL MARKET	
								SHEET NUMBER	
								1 OF 5	

DOCUMENT STATUS	P1	RELEASE DATE	2018/07/24	00:11:34
-----------------	----	--------------	------------	----------

MATERIAL NUMBER	NUMBER OF COLUMNS	NUMBER OF DIFF PAIR	DIM "A"	DIM "B"	DIM "C"	DIM "P"	PTH ϕ
171395-38*4	8	48	21.90	13.30	1.10	4.90	0.46±0.05
171395-38*5	8	48	21.90	13.30	1.10	5.50	0.46±0.05
171395-38*7	8	48	21.90	13.30	1.20	4.90	0.36±0.05
171395-38*8	8	48	21.90	13.30	1.20	5.50	0.36±0.05
171395-31*4	10	60	25.70	17.10	1.10	4.90	0.46±0.05
171395-31*5	10	60	25.70	17.10	1.10	5.50	0.46±0.05
171395-31*7	10	60	25.70	17.10	1.20	4.90	0.36±0.05
171395-31*8	10	60	25.70	17.10	1.20	5.50	0.36±0.05
171395-36*4	16	96	37.10	28.50	1.10	4.90	0.46±0.05
171395-36*5	16	96	37.10	28.50	1.10	5.50	0.46±0.05
171395-36*7	16	96	37.10	28.50	1.20	4.90	0.36±0.05
171395-36*8	16	96	37.10	28.50	1.20	5.50	0.36±0.05

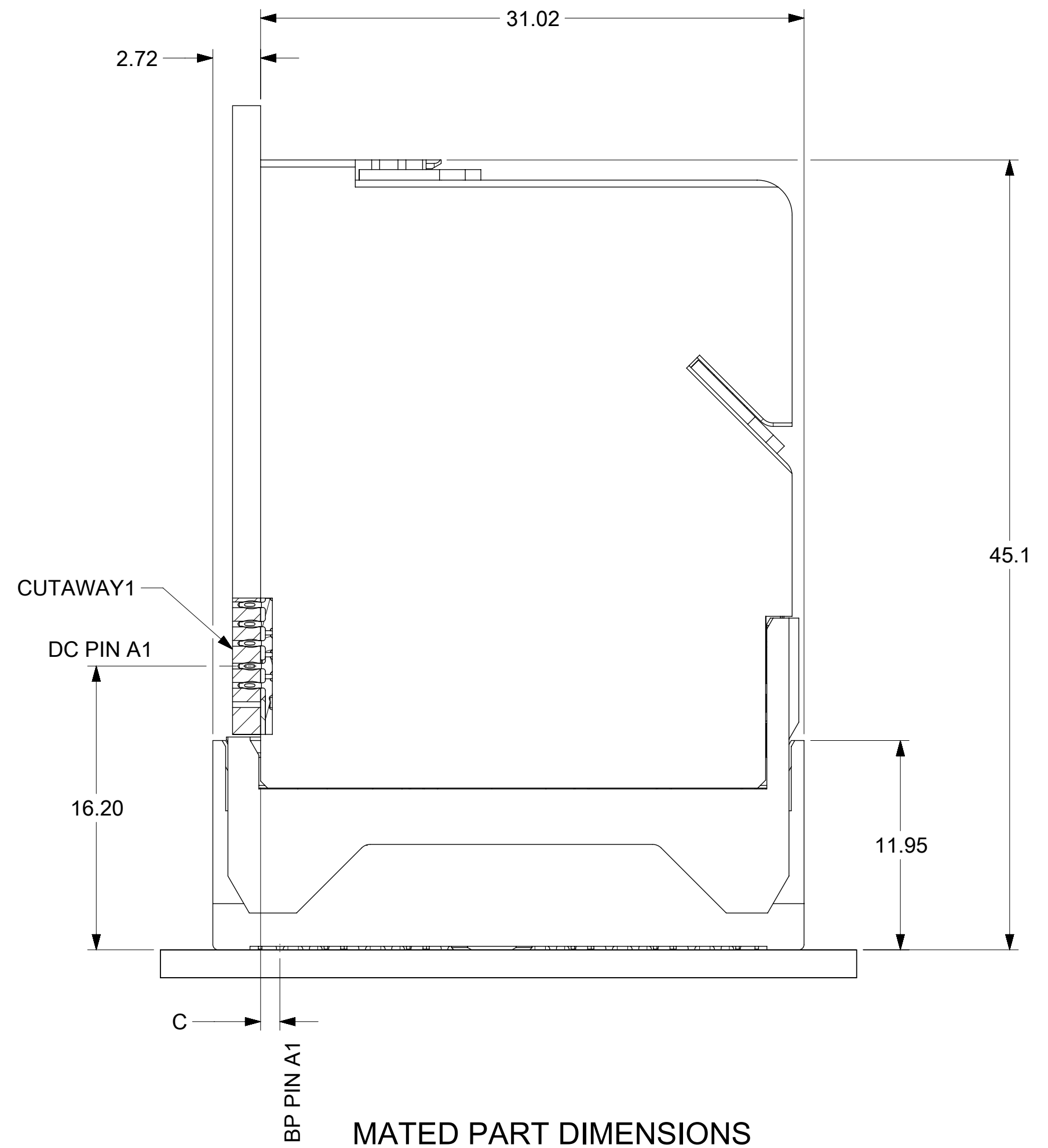
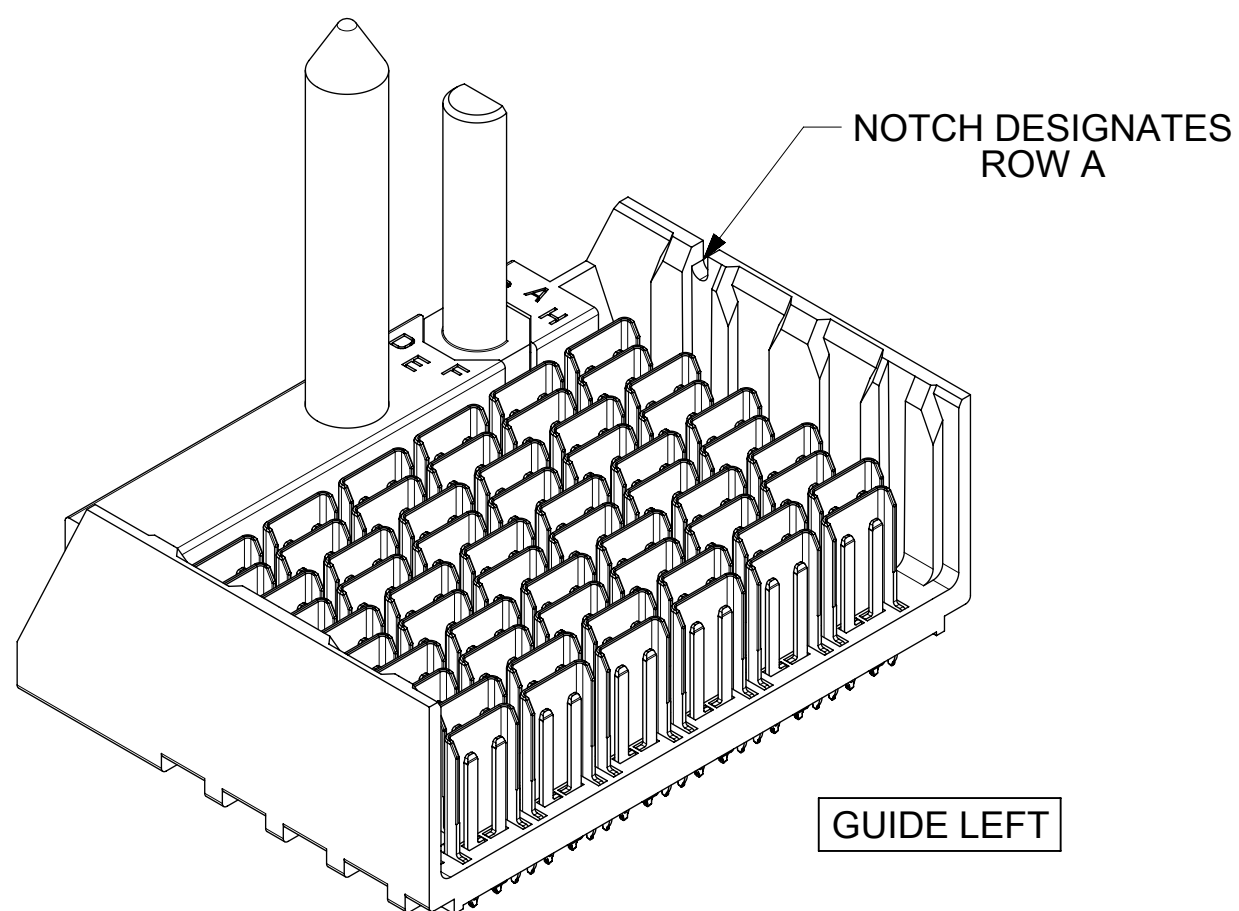
171395-3***

MODULE TYPE
3 = GUIDE LEFT

OF COLUMNS
8 = 8 COL
1 = 10 COL
6 = 16 COL

PIN LENGTH (P)
4 = 4.90 (0.46 PTH)
5 = 5.50 (0.46 PTH)
7 = 4.90 (0.36 PTH)
8 = 5.50 (0.36 PTH)

KEY ORIENTATION
0 = NO KEY
1 = A 5 = E
2 = B 6 = F
3 = C 7 = G
4 = D 8 = H



THIS DRAWING CONTAINS INFORMATION THAT IS PROPRIETARY TO MOLEX ELECTRONIC TECHNOLOGIES, LLC AND SHOULD NOT BE USED WITHOUT WRITTEN PERMISSION													
DIMENSION UNITS		SCALE		CURRENT REV DESC: MIGRATED TO NX						molex			
MM		4:1											
GENERAL TOLERANCES (UNLESS SPECIFIED)				EC NO: 601136				IMPEL 6 PAIR BACKPLANE					
ANGULAR TOL ± 0.5°				DRWN: TMARRI 2018/02/02				GUIDE LEFT ASSEMBLY SALES DRAWING					
4 PLACES ±				CHK'D: DWLEE01 2018/07/24				PRODUCT CUSTOMER DRAWING					
3 PLACES ±				APPR: DWLEE01 2018/07/24				DOCUMENT NUMBER					
2 PLACES ± 0.13				INITIAL REVISION:				SD-171395-0002		DOC TYPE		DOC PART	
1 PLACE ± 0.25				DRWN: JLAURX 2012/01/19				PSD		001		B6	
0 PLACES ±				APPR: JLAURX 2012/11/27				MATERIAL NUMBER		CUSTOMER		SHEET NUMBER	
DRAFT WHERE APPLICABLE MUST REMAIN WITHIN DIMENSIONS				THIRD ANGLE PROJECTION		DRAWING		SERIES		SEE CHART		GENERAL MARKET	
				C-SIZE		171395						2 OF 5	

MATERIAL NUMBER	NUMBER OF COLUMNS	NUMBER OF DIFF PAIR	DIM "A"	DIM "B"	DIM "C"	DIM "P"	PTH ϕ
171395-71*4	10	60	27.10	17.10	1.10	4.90	0.46 \pm 0.05
171395-71*5	10	60	27.10	17.10	1.10	5.50	0.46 \pm 0.05
171395-71*7	10	60	27.10	17.10	1.20	4.90	0.36 \pm 0.05
171395-71*8	10	60	27.10	17.10	1.20	5.50	0.36 \pm 0.05

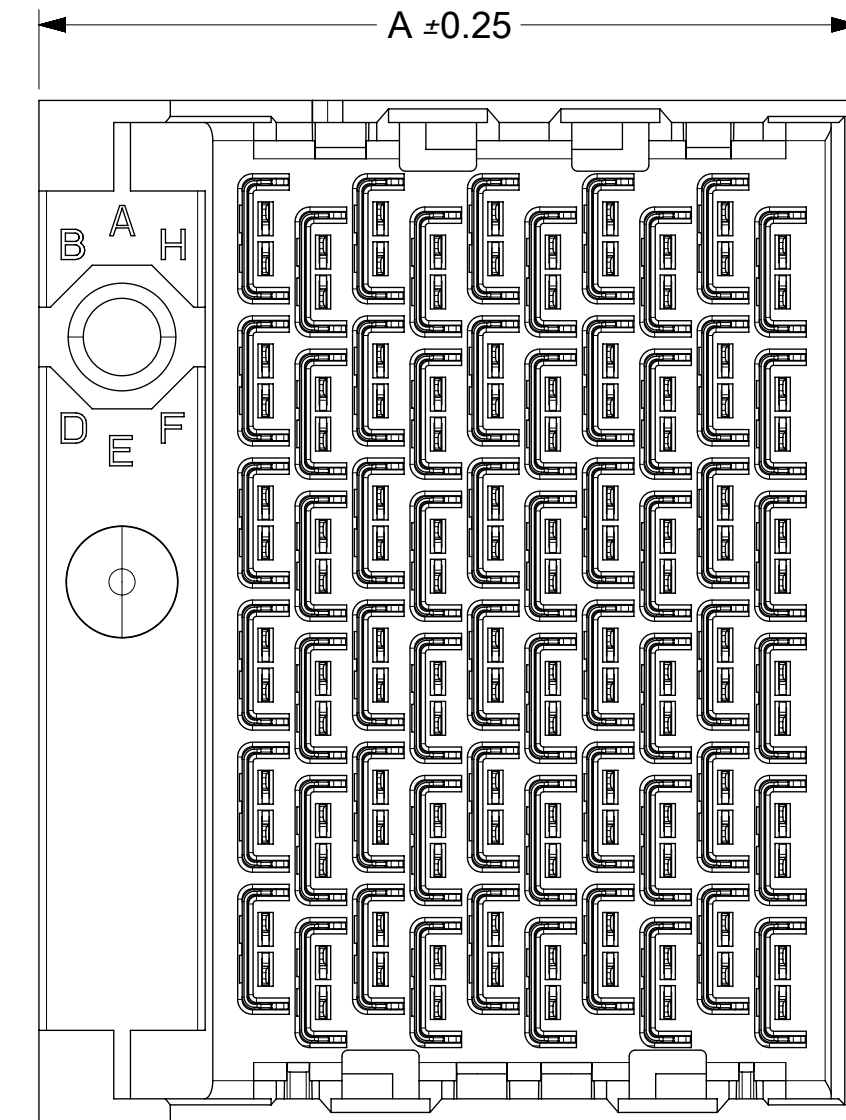
171395-7***

MODULE TYPE
7 = GUIDE LEFT WITH END WALL

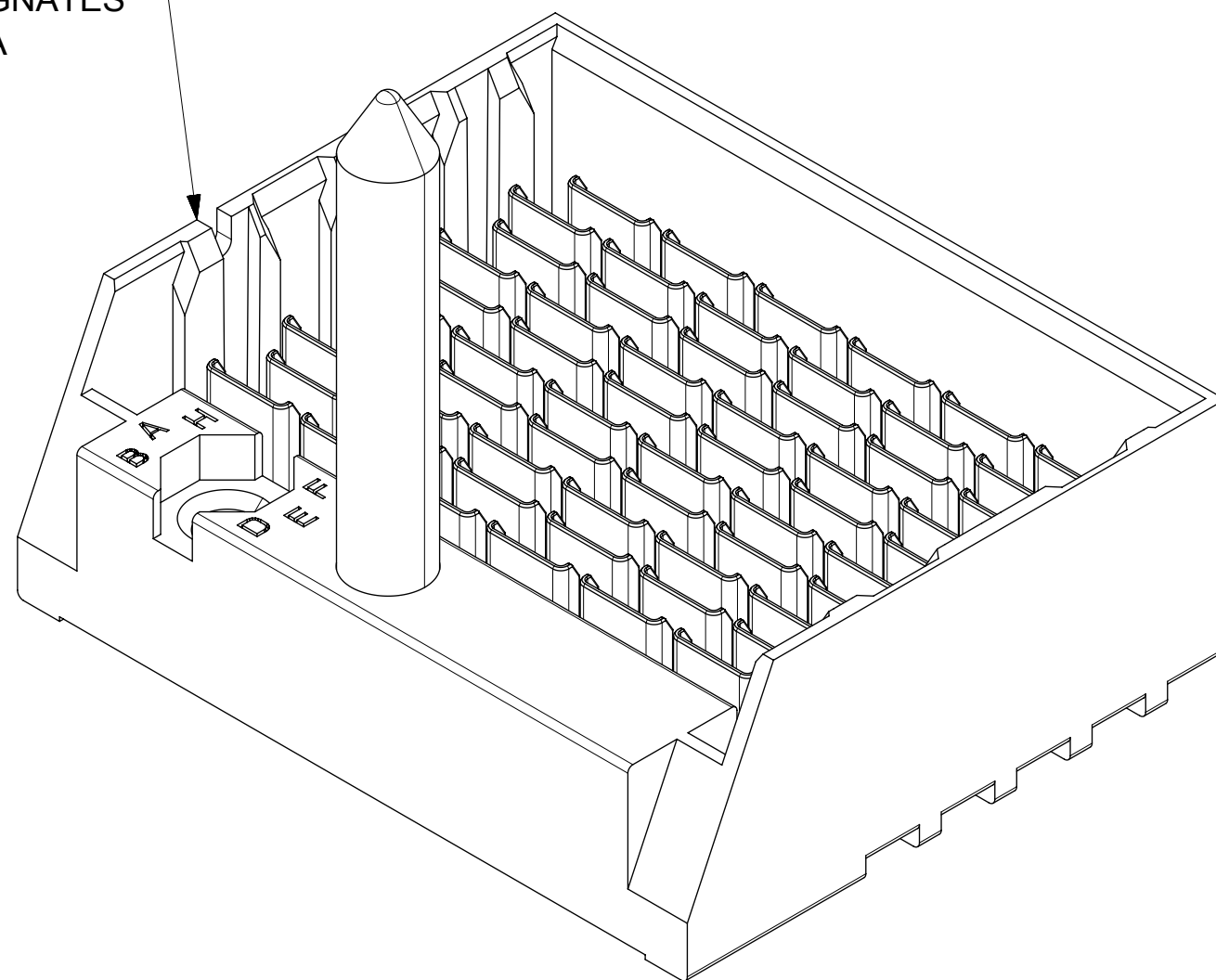
OF COLUMNS
8 = 8 COL
1 = 10 COL
6 = 16 COL

KEY ORIENTATION
0 = NO KEY
1 = A 5 = E
2 = B 6 = F
3 = C 7 = G
4 = D 8 = H

PIN LENGTH (P)
4 = 4.90 (0.46 PTH)
5 = 5.50 (0.46 PTH)
7 = 4.90 (0.36 PTH)
8 = 5.50 (0.36 PTH)

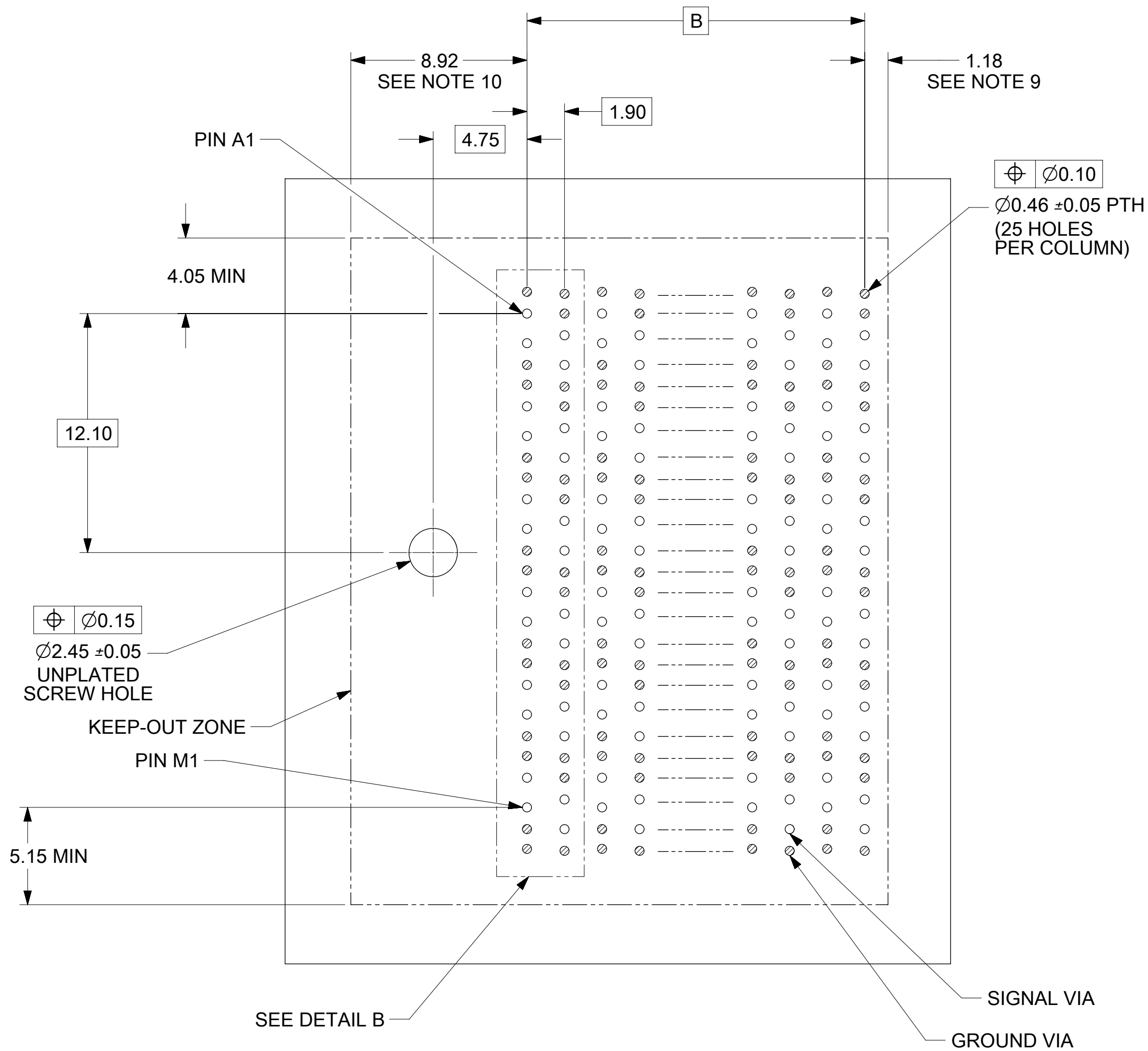


NOTCH DESIGNATES ROW A

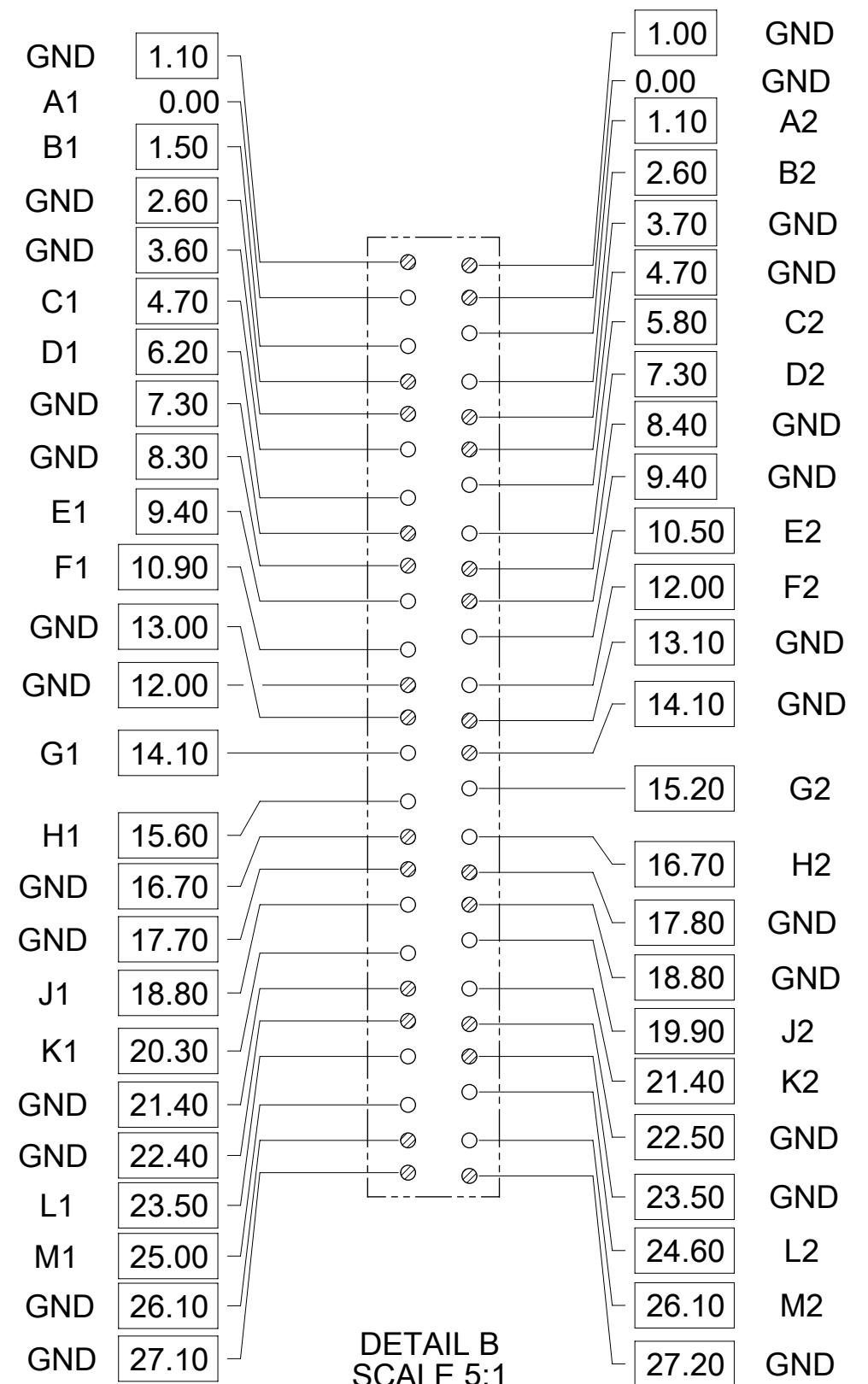


GUIDE LEFT WITH END WALL

THIS DRAWING CONTAINS INFORMATION THAT IS PROPRIETARY TO MOLEX ELECTRONIC TECHNOLOGIES, LLC AND SHOULD NOT BE USED WITHOUT WRITTEN PERMISSION									
DIMENSION UNITS		SCALE		CURRENT REV DESC: MIGRATED TO NX				molex	
MM		4:1							
GENERAL TOLERANCES (UNLESS SPECIFIED)				EC NO: 601136				IMPEL 6 PAIR BACKPLANE GUIDE LEFT ASSEMBLY SALES DRAWING	
ANGULAR TOL \pm 0.5°				DRWN: TMARRI 2018/02/02					
4 PLACES \pm				CHK'D: DWLEE01 2018/07/24					
3 PLACES \pm				APPR: DWLEE01 2018/07/24				PRODUCT CUSTOMER DRAWING	
2 PLACES \pm 0.13				INITIAL REVISION:					
1 PLACE \pm 0.25				DRWN: JLAURX 2012/01/19				DOCUMENT NUMBER	
0 PLACES \pm				APPR: JLAURX 2012/11/27				SD-171395-0002	
DRAFT WHERE APPLICABLE MUST REMAIN WITHIN DIMENSIONS		THIRD ANGLE PROJECTION		DRAWING		SERIES		MATERIAL NUMBER	
				C-SIZE		171395		SEE CHART	
DOCUMENT STATUS		P1		RELEASE DATE		2018/07/24 00:11:34		CUSTOMER	
								GENERAL MARKET	
								SHEET NUMBER	
								3 OF 5	



**BACKPLANE HOLE PATTERN
FOR Ø0.46 PTH
(CONNECTOR SIDE)**



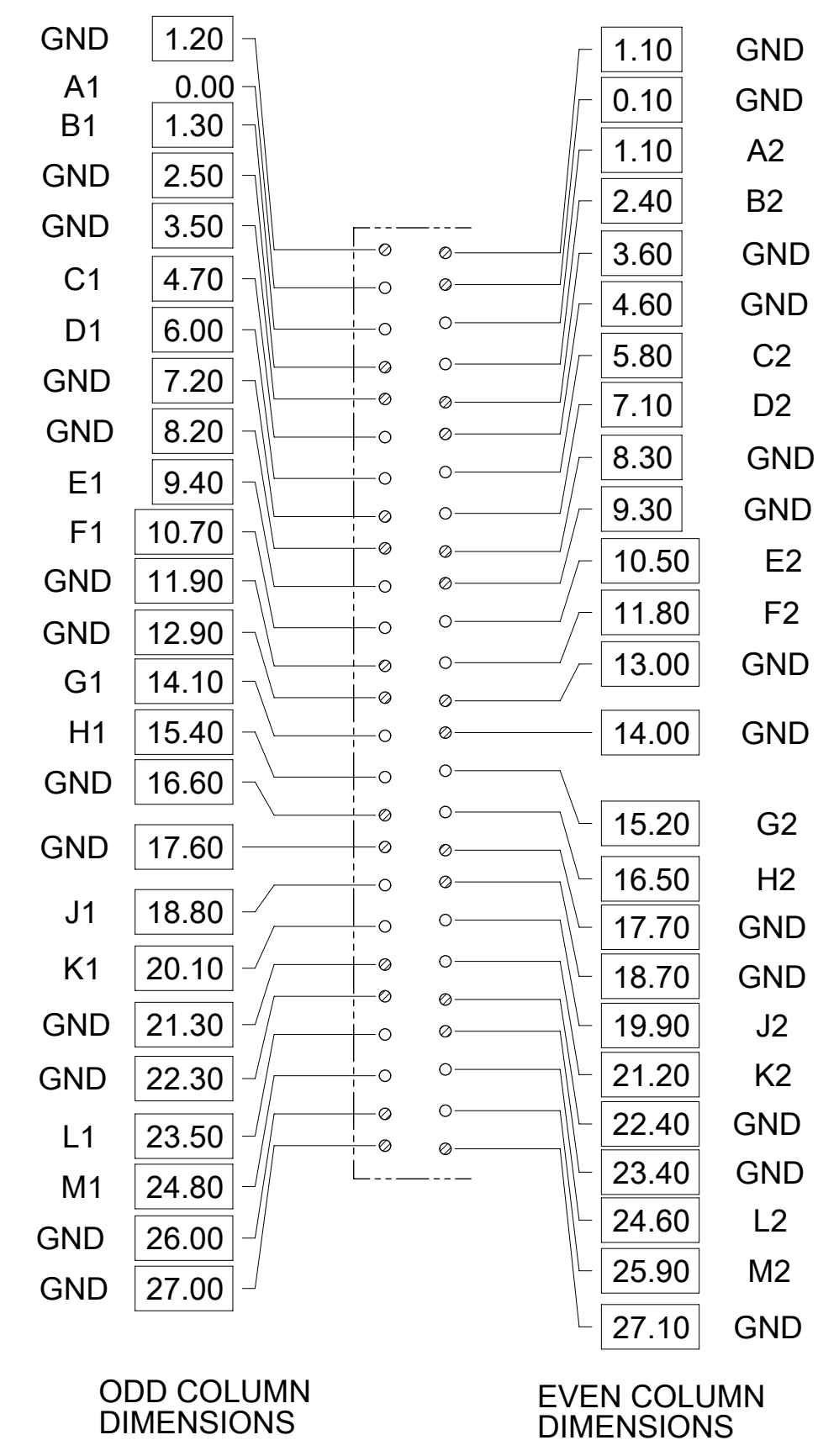
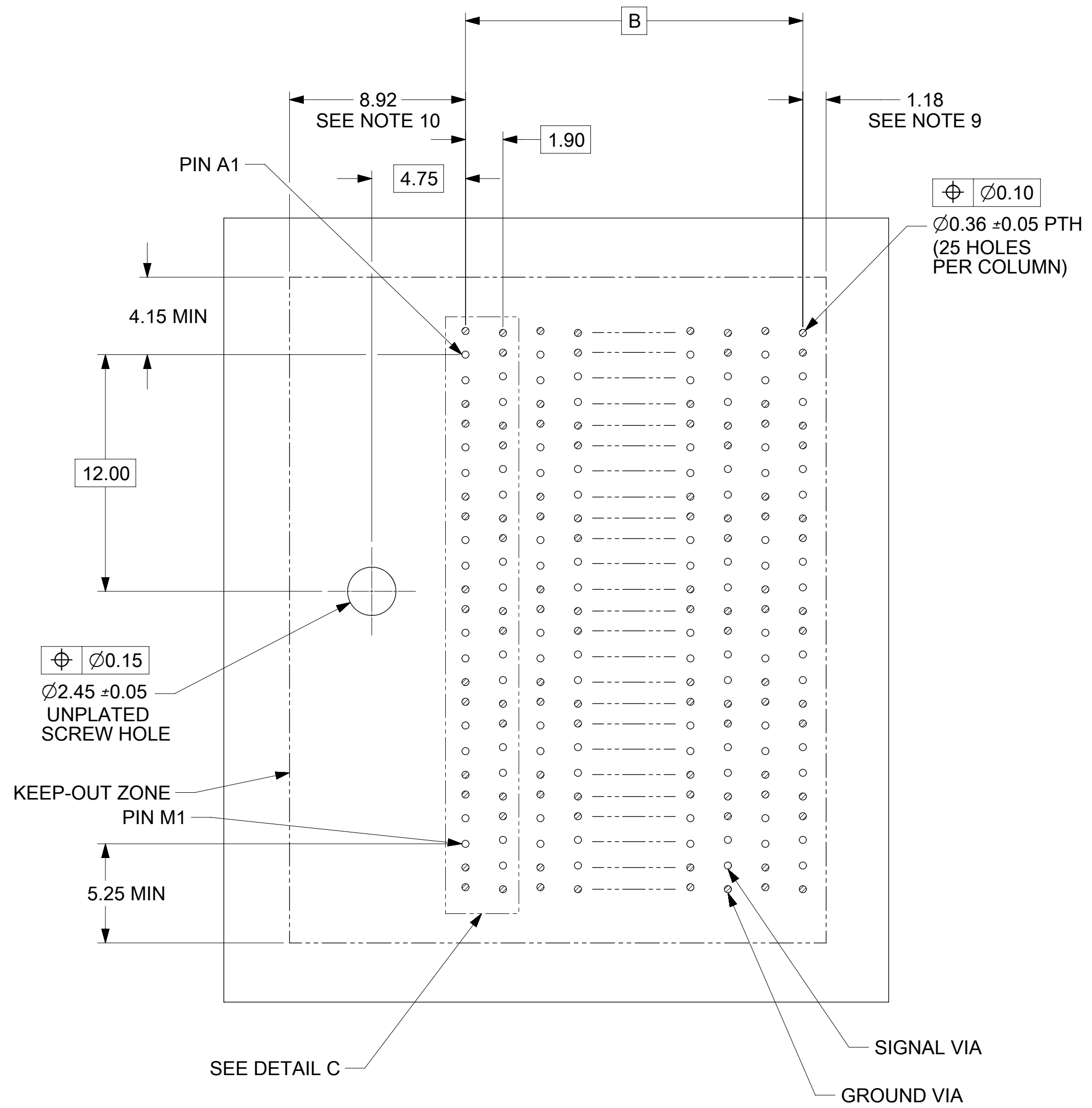
ODD COLUMN DIMENSIONS

EVEN COLUMN DIMENSIONS

DETAIL B
SCALE 5:1

THIS DRAWING CONTAINS INFORMATION THAT IS PROPRIETARY TO MOLEX ELECTRONIC TECHNOLOGIES, LLC AND SHOULD NOT BE USED WITHOUT WRITTEN PERMISSION									
DIMENSION UNITS		SCALE		CURRENT REV DESC: MIGRATED TO NX					
MM		5:1							
GENERAL TOLERANCES (UNLESS SPECIFIED)				EC NO: 601136				IMPEL 6 PAIR BACKPLANE GUIDE LEFT ASSEMBLY SALES DRAWING PRODUCT CUSTOMER DRAWING	
ANGULAR TOL ± 0.5°				DRWN: TMARRI		2018/02/02			
4 PLACES ±				CHK'D: DWLEE01		2018/07/24			
3 PLACES ±				APPR: DWLEE01		2018/07/24		DOCUMENT NUMBER	
2 PLACES ± 0.13				INITIAL REVISION:				SD-171395-0002	
1 PLACE ± 0.25				DRWN: JLAURX		2012/01/19		DOC TYPE	
0 PLACES ±				APPR: JLAURX		2012/11/27		DOC PART	
DRAFT WHERE APPLICABLE MUST REMAIN WITHIN DIMENSIONS				THIRD ANGLE PROJECTION		DRAWING		REVISION	
						C-SIZE		B6	
				SERIES		171395		MATERIAL NUMBER	
								CUSTOMER	
								GENERAL MARKET	
								SHEET NUMBER	
								4 OF 5	

DOCUMENT STATUS	P1	RELEASE DATE	2018/07/24	00:11:34
-----------------	----	--------------	------------	----------



**BACKPLANE HOLE PATTERN
FOR Ø0.36 PTH
(CONNECTOR SIDE)**

DETAIL C
SCALE 5:1

THIS DRAWING CONTAINS INFORMATION THAT IS PROPRIETARY TO MOLEX ELECTRONIC TECHNOLOGIES, LLC AND SHOULD NOT BE USED WITHOUT WRITTEN PERMISSION									
DIMENSION UNITS: MM		SCALE: 5:1		CURRENT REV DESC: MIGRATED TO NX				molex	
GENERAL TOLERANCES (UNLESS SPECIFIED)									
ANGULAR TOL ± 0.5°				EC NO: 601136				IMPEL 6 PAIR BACKPLANE GUIDE LEFT ASSEMBLY SALES DRAWING	
4 PLACES ±				DRWN: TMARRI 2018/02/02					
3 PLACES ±				CHK'D: DWLEE01 2018/07/24					
2 PLACES ± 0.13				APPR: DWLEE01 2018/07/24				PRODUCT CUSTOMER DRAWING	
1 PLACE ± 0.25				INITIAL REVISION:					
0 PLACES ±				DRWN: JLAURX 2012/01/19				DOCUMENT NUMBER	
				APPR: JLAURX 2012/11/27				SD-171395-0002	
DRAFT WHERE APPLICABLE MUST REMAIN WITHIN DIMENSIONS		THIRD ANGLE PROJECTION		DRAWING		SERIES		MATERIAL NUMBER	
				C-SIZE		171395		SEE CHART	
								CUSTOMER	
								GENERAL MARKET	
								SHEET NUMBER	
								5 OF 5	