



Gross weight	36g
Product Size	24*48*18mm
Package Size	54*54*20mm

## EasyLoader

EasyLoader is a concise and fast program writer, which has a built-in case program related to the product. It can be burned to the main control by simple steps to perform a series of function verification.

## Related Link

Datasheet

[DRV8876PWPR](#)

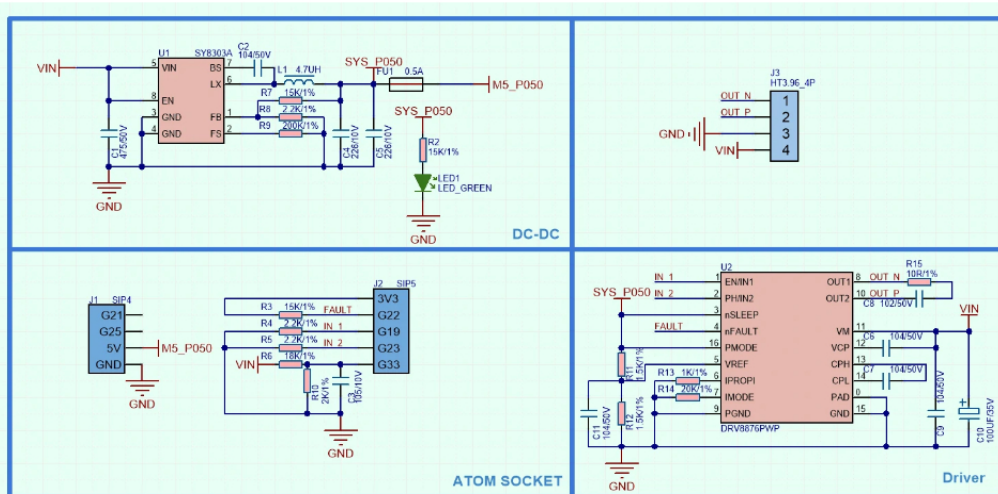
## PinMap

ATOM	G22	G19	G23	G33
Hdriver	FAULT	IN1	IN2	VIN-1/10



Tip: When a fault occurs, the FAULT (G22) pin will be triggered to pull down. G33 can obtain 1/10 of the input voltage and can be used to detect the current power input.

## Schematic



## Example

[Click here to download the Arduino example](#)

## PURCHASE