

4

3

2

1

THIS DRAWING IS UNPUBLISHED.

RELEASED FOR PUBLICATION

2006

© COPYRIGHT 2006

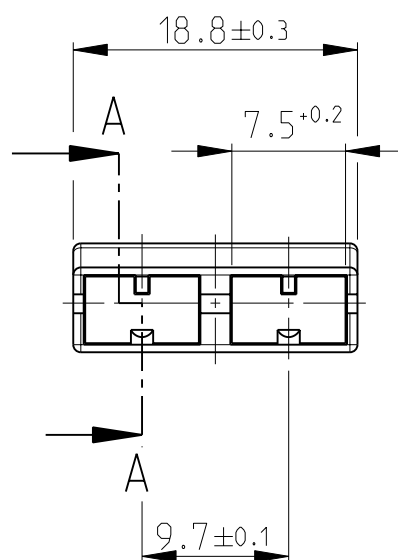
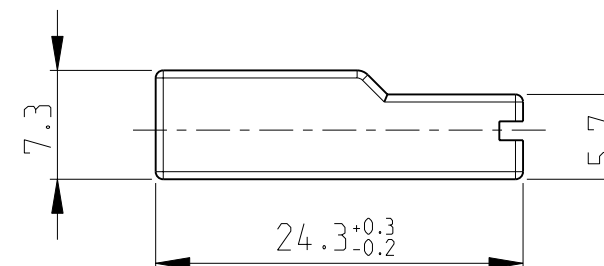
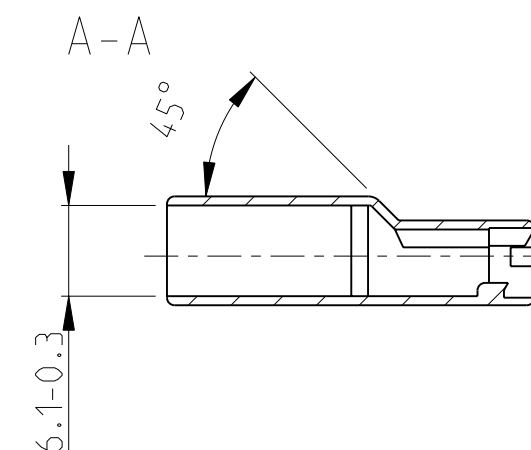
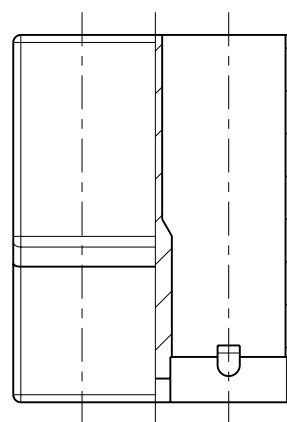
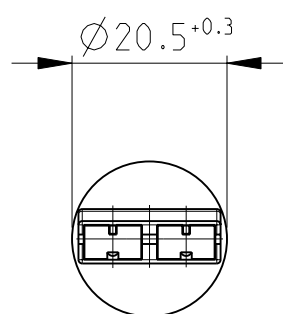
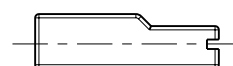
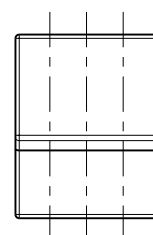
ALL RIGHTS RESERVED.



LOC	DIST	REVISIONS				
P	LTR	DESCRIPTION	DATE	DWN	APVD	
A1	-	C	-3 hinzu	19FEB2002	-	Lau.
		D	NEW CAVITY DETAIL ADDED	29AUG2006	Haas	Goep.
		D1	ECR-10-026307	17JUN2011	KK	HMR


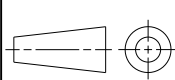
war 80-9407
wasFORD 82GB-13480-AA Nummer des Schalters
number of the switch

FORD 82 GG 14488 NA

Bemerkungen:
notes:
 - FOR FORD ONLY





Maßstab: 1:1
scale



für Flachstecker: SL 100.56 Form B
for tab:Gehäusematerial gemäß: FORD SPEC SKM-4D 9585-A/B
housing material to:passend zu Zeichnung: 94BG-14474-ZAA
fitting with drawing:

OBSOLETE	926 716-3	PA 6.6	BLACK
	926 716-2 	PA 6.6	NATURAL
	926 716-1 	PA 6.6	BLACK
	PART NO	MATERIAL	COLOR

THIS DRAWING IS A CONTROLLED DOCUMENT.		DWN	W.E.Mukohl	13JUN1980	 TE Connectivity			
DIMENSIONS: mm		CHK	Wendling	-				
TOLERANCES UNLESS OTHERWISE SPECIFIED:		APVD	Bleicher, M.	01SEP2006	NAME			
		PRODUCT SPEC	-		2POS. POSITIVE LOCK HOUSING			
MATERIAL		APPLICATION SPEC	-		SIZE	CAGE CODE	DRAWING NO	RESTRICTED TO
FINISH		WEIGHT	1.08g		A3	00779	©=926716	-
		CUSTOMER DRAWING			SCALE	SHEET	OF	REV
					2:1	1	1	D1

1470-19 (3/11)

Pro/ENGINEER DRAWING