



# OBQ05SCxxxxI

# 3 WATT DC/DC POWER SUPPLY



## FEATURES

- Wide input 4:1
- Low noise
- Tight regulation  $\pm 0.5\%$  MAX
- High Isolation Voltage

\*Image for marketing purposes only-unit may differ



		UNIT	OBQ05SC0512I	OBQ05SC1224I	OBQ05SC2448I
<b>INPUT</b>	<b>Nom Voltage (Range)</b>	V	12VDC 4.5~16 VDC	24VDC 8~32 VDC	48VDC 18~72VDC
	<b>Current Typ.</b>	mA	30mA Typ At no load	44mA Typ At no load	30mA Typ At no load
	<b>Start-up Time</b>	ms	30 MAX	30 MAX	30 MAX

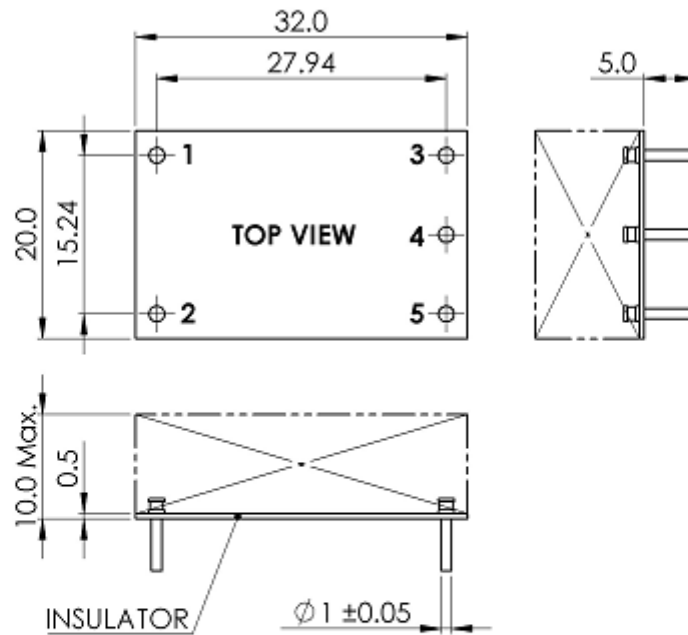
		UNIT	OBQ05SC0512 / OBQ05DC1224 / OBQ05SC2448I	
<b>OUTPUT</b>	<b>Nominal Voltage</b>	VDC	5VDC	
	<b>OUTPUT VDC ACCURACY</b>	%	2%	
	<b>Current</b>	mA	500	
	<b>Total Pwr</b>	W	2.5	
	<b>Efficiency</b>	%	82 TYP	@Vin=12Vdc
	<b>Line Regulation</b>	%	$\pm 0.5\%$ MAX	At LL TO HL, Full Load
	<b>Load Regulation</b>	%	$\pm 0.5\%$ MAX	At 25%FL TO 100%FL
	<b>Startup Time</b>	ms	15 MAX	
	<b>Ripple Noise</b>	mVp-p	100mVp-p MAX	@20MHz BANDWIDTH
	<b>Temp Coefficient</b>		0.03%/°C MAX	
	<b>Short circuit protect</b>	Type	Continuous/ Auto-recovery	
	<b>Cooling</b>		Convection	





<b>ISOLATION</b>	<b>Voltage</b>		1500Vdc for 1 minute
	<b>Resistance</b>		Min. 100 MΩ @ 500 Vdc
	<b>Operating temp</b>		-20°C ~ +71°C
<b>Environment</b>	<b>Storage</b>		-20°C ~ +85°C
	<b>Vibration</b>		Mil-STD 202G
	<b>Humidity</b>		90 %
<b>Dimension</b>	<b>WxL</b>	mm	32x20 / 4.5g

## DIMENSIONS AND PINOUT



**Unit : mm**  
**Tolerance : XX.X ±0.5 , XX.XX ±0.25**

### PIN Assignment

PIN	1	2	3	4	5
<b>FUNCTION</b>	+Vin	-Vin	+Vout	Trim	-Vout





## Temperature Derating Graph

