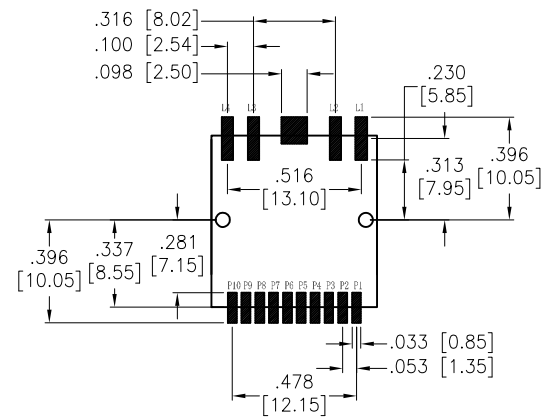
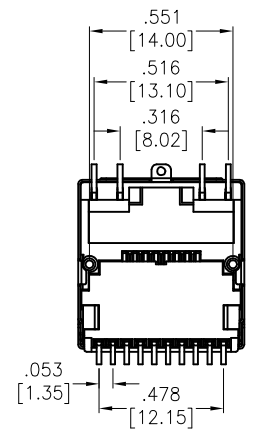
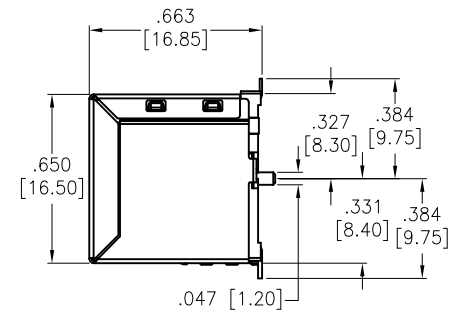
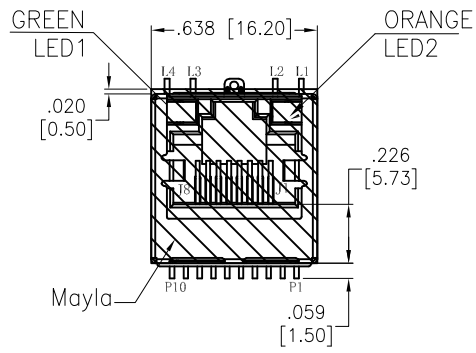


6	5	4	3	2	1
APPROVED: _____			Rev	AWO #	Description
DATE: _____ TITLE: _____			-		RELEASED
					Date
					5/12/20
					Appr



SPECIFICATIONS:
 Material:
 Insulator: Hi-Temp Thermoplastic, rated UL 94V-0
 Insulator color: Black
 Contacts: Phosphor Bronze
 Shield: Brass, Nickel plated
 Contact Plating:
 Round contact
 Gold over Nickel underplate overall
 Flat contact
 Gold over Nickel underplate on contact area,
 Tin over Nickel underplate on solder tails
 Electrical:
 Voltage rating: 150 VAC
 Contact Resistance: 20 mohms max
 Insulation resistance: 500 Mohms min
 Dielectric withstanding voltage: 2250 VDC For 1 Minute
 Temperature Rating:
 Operating temperature: -40°C to +85°C
 Agency Certifications:
 UL Recognized
 Environmental:
 Lead free, RoHS compliant.



UNLESS OTHERWISE SPECIFIED ALL DIMENSIONS ARE INCHES [MM] TOLERANCES: EXCEPT AS NOTED	
INCHES	HOLES
.X ± .10	Ø.X ± .10
.XX ± .020	Ø.XX ± .015
.XXX ± .015	Ø.XXX ± .010
APPROVALS	
DRAWN	DATE
LH	5/12/20
CHECKED	DATE
AC	5/12/20
APPROVED	

ADAM TECH INTERCONNECTS 909 Rahway Avenue,
 Union, NJ 07083
 Phone: 908-687-5000
 Fax: 908-687-5710

TITLE: **MODULAR TELEPHONE JACK, 8P8C**
W/ LED1 GREEN, W/ LED2 ORANGE, 2.5G BASE-T

SIZE	PART NO.	REV.
X	MTJ-88AX1-FS-TSMT-P-L5-M398CH-WOT-KT	-

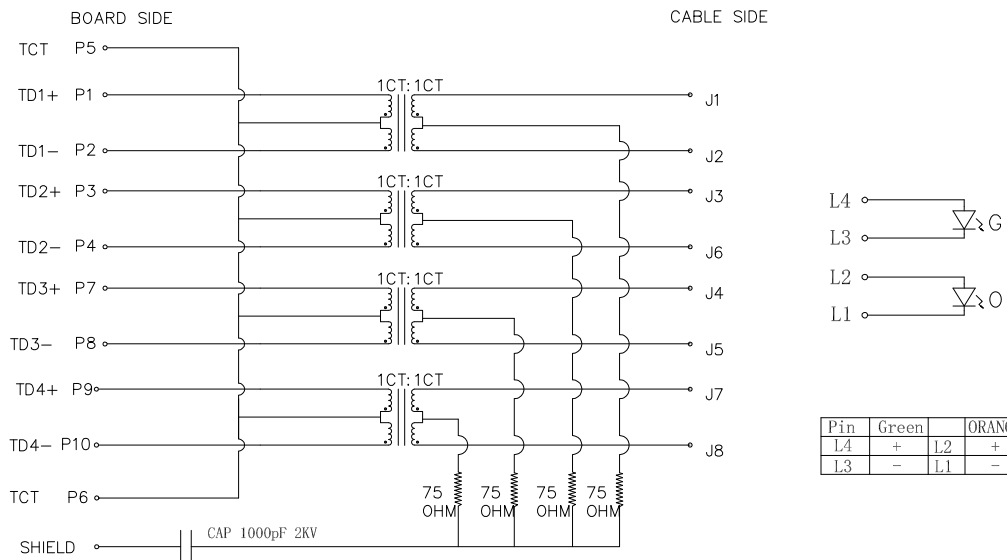
REF: S00005C SCALE: NTS SHEET 1 OF 2

APPROVED: _____

DATE: _____ TITLE: _____

Rev	AWO #	Description	Date	Appr
-----	-------	-------------	------	------

SEE SHT 1 OF 2 FOR REVISION



Pin	Green	ORANGE	
L4	+	L2	+
L3	-	L1	-

Electrical Specifications:

PARAMETER	SPECIFICATIONS			
Turns Ratio	1.00 ± 2%			
Polarity	PER SCHEMATIC			
Insertion Loss (Data Channels)	1MHz-50MHz	50-125 MHz	125-250 MHz	
	-0.5dB MAX	-1.0dB MAX	-2.0 dB MAX	
Return Loss (Z OUT=100 OHM ±1%)	1MHz TO 40MHz		40MHz TO 250MHz	
	-20dB MIN		-16+10Log(Freq MHz/40MHz)dB MIN	
Inductance (OCL)	180 uH MIN @ 100 KHz, 100 mV			
Reflected CM to DIFF Conversion (REF)	1 MHz	50 MHz	100 MHz	200 MHz
	-30dB MAX	-30dB MAX	-27dB MAX	-24dB MAX
Reflected DIFF to CM Conversion (REF)	1 MHz TO 10 MHz		10 MHz TO 200 MHz	
	-48 dB MIN		-48+19Log(Freq MHz/10MHz) dB MIN	
CM to CM Attenuation (REF)	1 MHz-200MHz			
	-25dB MIN			
CROSS TALK	1 MHz TO 40 MHz		40 MHz TO 125 MHz	
	-35dB MIN		-35+15log(Freq MHz/40MHz)dB MIN	
HIPOT-OUTPUT ISOLATION	2250 VDC MIN @ 60 SECONDS			

UNLESS OTHERWISE SPECIFIED ALL DIMENSIONS ARE INCHES [MM] TOLERANCES: EXCEPT AS NOTED			
INCHES		HOLES	
.X	± .10	Ø.X	± .10
.XX	± .020	Ø.XX	± .015
.XXX	± .015	Ø.XXX	± .010
APPROVALS		DATE	
DRAWN	LH	5/12/20	
CHECKED	AC	5/12/20	
APPROVED			

ADAM TECH INTERCONNECTS 909 Rahway Avenue, Union, NJ 07083
Phone: 908-687-5000 Fax: 908-687-5710

TITLE MODULAR TELEPHONE JACK, 8P8C W/ LED1 GREEN, W/ LED2 ORANGE, 2.5G BASE-T			
SIZE	PART NO.	REV.	
X	MTJ-88AX1-FS-TSMT-P-L5-M398CH-WOT-KT	-	
REF: S00005C	SCALE: NTS	SHEET 2 OF 2	