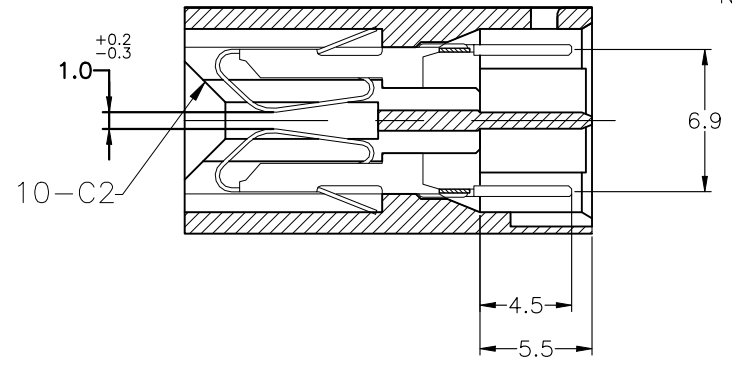
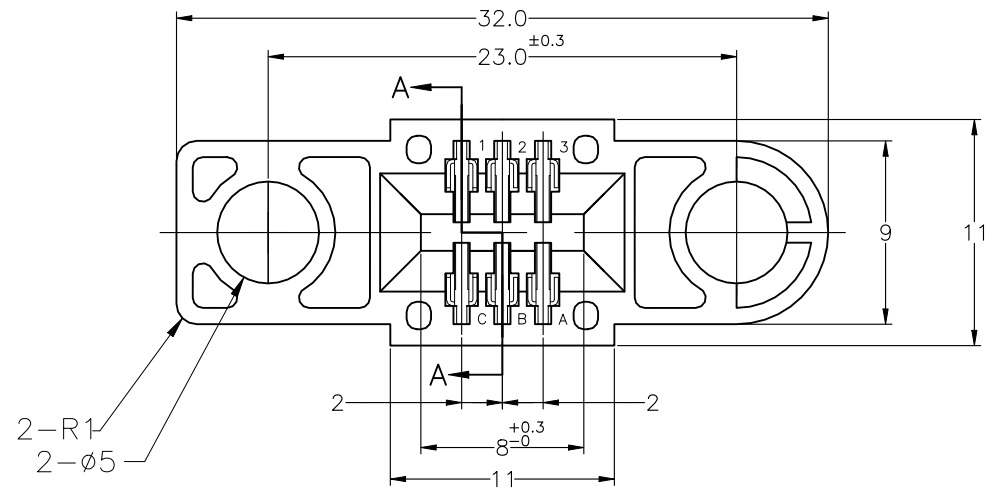
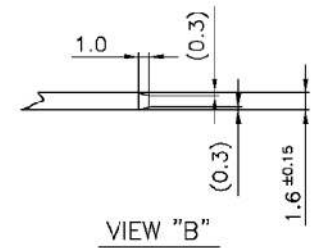
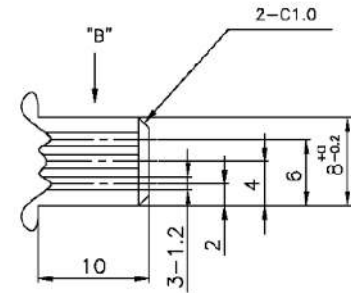
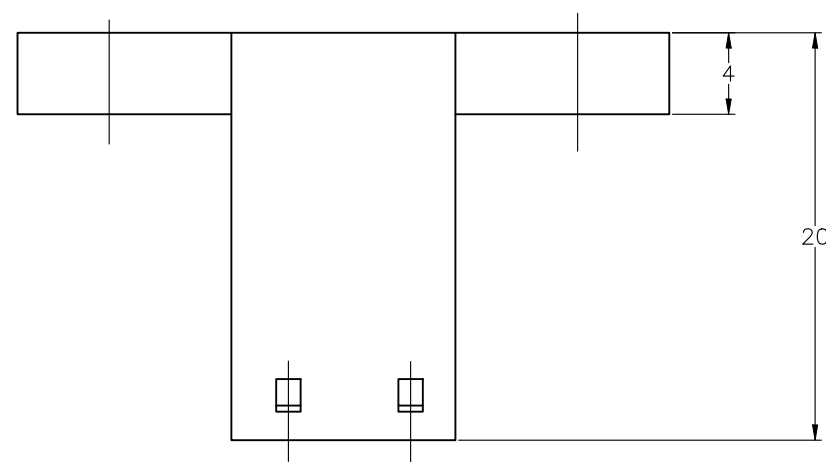


P	LTR	DESCRIPTION	DATE	DWN	APVD
	A2	ECR-22-126608	09FEB2022	T.Q	N.S

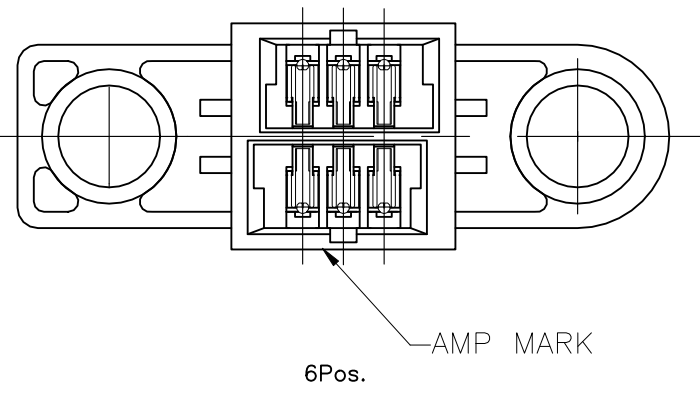


- NOTES:
1. MATERIAL: H.S.G:GLASS-FILLED P.B.T COLOR: BLACK  
CONTACT: COPPER ALLOY
  2. FINISH: CONTACT: MATTE TIN PLATE UNDER PLATE NICKEL
  3. MATING CONN.(WIRE SIDE AWG#26-#28)  
6POS. TYPE 173977-3 OR 175778-3
  4. SPEC.: CURRENT RATING 2A MAX./PIM
  5. RECOMMENDED MATING P.C.B DIMENSIONS

SECT A-A



VIEW "B"



TOLERANCES UNLESS OTHERWISE SPECIFIED

10 ≥ *	: ±0.2
30 ≥ * > 10	: ±0.2
100 ≥ * > 30	: ±0.2
ANGLE	: ±3°

THIS DRAWING IS A CONTROLLED DOCUMENT.		DWN Tommy Qian 09FEB2022	TE Connectivity		
DIMENSIONS: INCHES		CHK -			
TOLERANCES UNLESS OTHERWISE SPECIFIED:		APVD Niki Shi	6POS. CT CARD EDGE CONN. L=20mm		
		PRODUCT SPEC 108-60024	RESTRICTED TO		
MATERIAL SEE NOTES		FINISH SEE NOTES	SIZE A3	CAGE CODE 00779	DRAWING NO C-292203
<p>0 PLC ± -</p> <p>1 PLC ± -</p> <p>2 PLC ± -</p> <p>3 PLC ± -</p> <p>4 PLC ± -</p> <p>ANGLES ± -</p>		WEIGHT 0	SCALE 2:1	SHEET 1 OF 1	REV A2
CUSTOMER DRAWING					