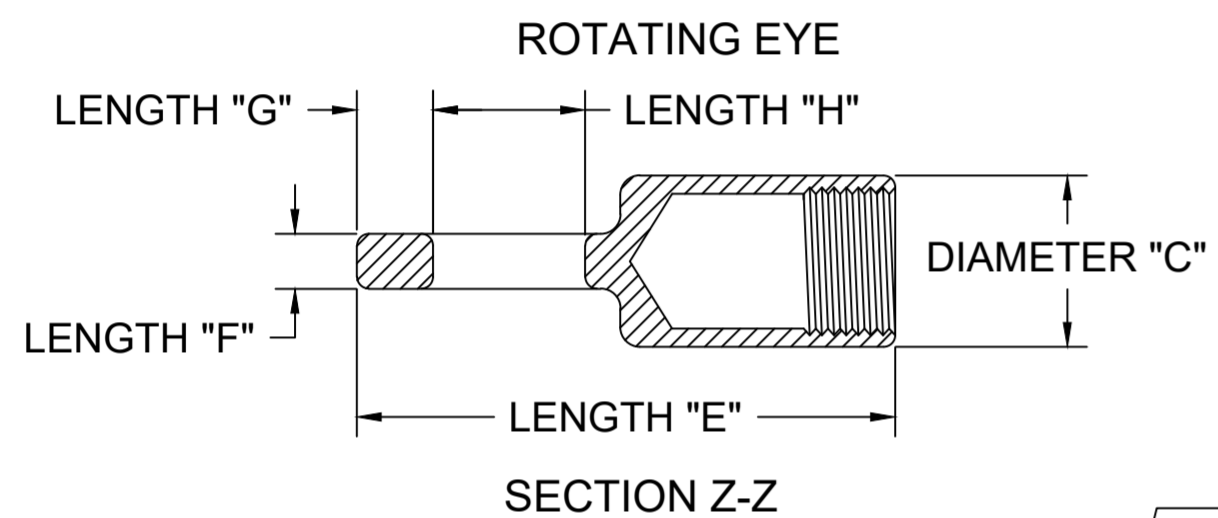
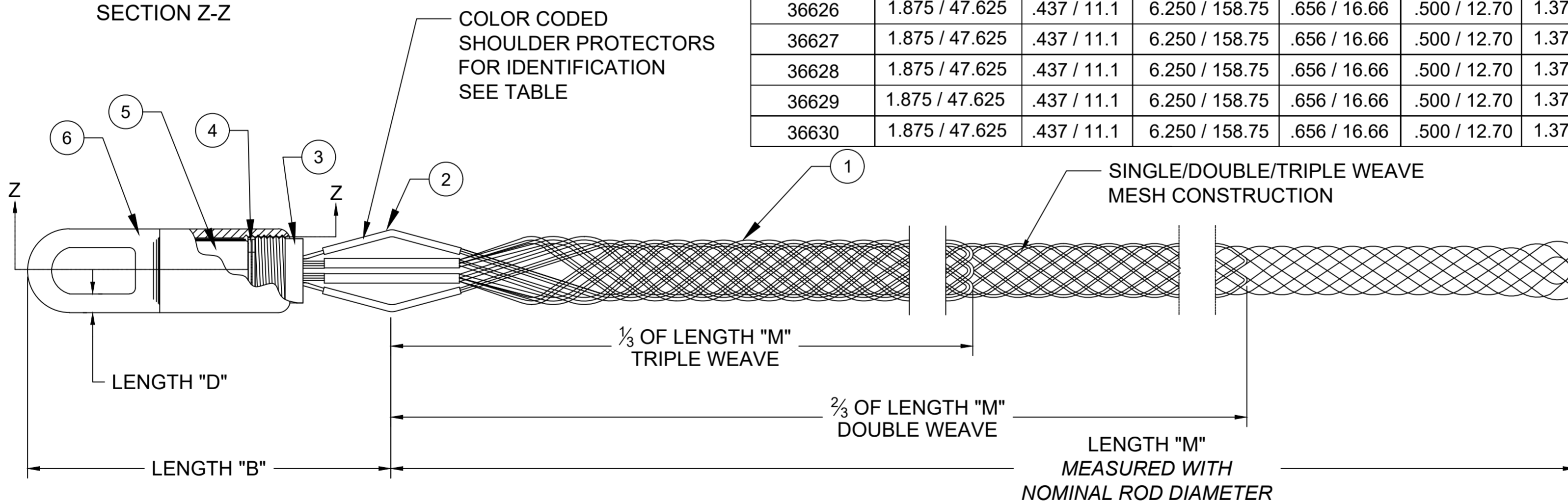


CATALOG NUMBER	MATERIAL NUMBER	CABLE RANGE	NOMINAL ROD DIAMETER	LENGTH "M"	LENGTH "B"	COLOR CODE	APPROXIMATE BREAK STRENGTH* (LBS / N)	UL LISTED	CSA APPROVED	PRODUCT SELECTION NUMBER
36624	1300950282	1.25-1.49 / 31.8-37.8	1.37 / 34.8	56.00±5.00 / 1422.4±127.0	8.00±1.00 / 203.2±25.4	BLACK	30600 / 136116	NO	YES	PR125-56MS
36625	1300950283	1.50-1.74 / 38.1-44.2	1.62 / 41.1	60.00±5.00 / 1524.0±127.0	9.00±1.00 / 228.6±25.4	RED	30600 / 136116			PR150-60MS
36626	1300950284	1.75-2.24 / 44.5-56.9	2.00 / 50.8	70.00±6.00 / 1778.0±152.4	10.00±1.00 / 254.0±25.4	DARK BLUE	48000 / 213515			PR175-70MS
36627	1300950285	2.00-2.49 / 50.8-63.2	2.25 / 57.2	50.00±5.00 / 1270.0±127.0	10.00±1.00 / 254.0±25.4	YELLOW	48000 / 213515			PR200-50MS
36628	1300950286	2.50-2.99 / 63.5-75.9	2.75 / 69.9	52.00±5.00 / 1320.8±127.0	10.00±1.00 / 254.0±25.4	ORANGE	48000 / 213515			PR250-52MS
36629	1300950287	3.00-3.49 / 76.2-88.6	3.25 / 82.6	54.00±5.00 / 1371.6±127.0	10.00±1.00 / 254.0±25.4	ALUMINUM	48000 / 213515			PR300-54MS
36630	-----	3.50-3.99 / 88.9-101.3	3.75 / 95.3	56.00±5.00 / 1422.4±127.0	10.00±1.00 / 254.0±25.4	LIGHT GREEN	48000 / 213515			PR350-56MS

*TO DETERMINE RECOMMENDED WORKING LOAD, DIVIDE BREAK STRENGTH BY 5.



ROTATING EYE DIMENSIONS - REFERENCE						
CATALOG NUMBER	DIAMETER "C"	LENGTH "D"	LENGTH "E"	LENGTH "F"	LENGTH "G"	LENGTH "H"
36620	.875 / 22.23	.187 / 4.75	2.750 / 69.85	.281 / 7.14	.250 / 6.35	.875 / 22.23
36621	1.000 / 25.40	.219 / 5.56	3.625 / 92.08	.500 / 12.70	.312 / 7.92	.906 / 23.01
36622	1.000 / 25.40	.219 / 5.56	3.625 / 92.08	.500 / 12.70	.312 / 7.92	.906 / 23.01
36623	1.375 / 34.93	.344 / 8.74	4.625 / 117.48	.500 / 12.70	.375 / 9.53	1.000 / 25.40
36624	1.625 / 41.275	.375 / 9.53	5.437 / 138.10	.625 / 15.88	.500 / 12.70	1.187 / 30.15
36625	1.875 / 47.625	.437 / 11.1	6.250 / 158.75	.656 / 16.66	.500 / 12.70	1.375 / 34.93
36626	1.875 / 47.625	.437 / 11.1	6.250 / 158.75	.656 / 16.66	.500 / 12.70	1.375 / 34.93
36627	1.875 / 47.625	.437 / 11.1	6.250 / 158.75	.656 / 16.66	.500 / 12.70	1.375 / 34.93
36628	1.875 / 47.625	.437 / 11.1	6.250 / 158.75	.656 / 16.66	.500 / 12.70	1.375 / 34.93
36629	1.875 / 47.625	.437 / 11.1	6.250 / 158.75	.656 / 16.66	.500 / 12.70	1.375 / 34.93
36630	1.875 / 47.625	.437 / 11.1	6.250 / 158.75	.656 / 16.66	.500 / 12.70	1.375 / 34.93



INSTRUCTION SHEET TO BE INCLUDED WITH GRIP.

ITEM	DESCRIPTION	MATERIAL
1	WIRE MESH	GALVANIZED STEEL
2	SHOULDER PROTECTOR	ALUMINUM
3	THREADED INSERT	STEEL
4	FLAT WASHERS	NYLATRON
5	SWAGING FERRULE	STEEL
6	ROTATING EYE	STEEL

FUNCTIONAL SYMBOLS	THIS DRAWING CONTAINS INFORMATION THAT IS PROPRIETARY TO MOLEX ELECTRONIC TECHNOLOGIES, LLC AND SHOULD NOT BE USED WITHOUT WRITTEN PERMISSION														
	DIMENSION UNITS		SCALE		CURRENT REV DESC: OBSOLETE PART NUMBER AS PER PCN#510808										
	INCH/MM		NTS												
	GENERAL TOLERANCES (UNLESS SPECIFIED)														
DIVISIONAL SYMBOLS	mm		INCH		EC NO: 736640										
	4 PLACES ±----		±----		DRWN: SUGEEB 2022/12/21										
	3 PLACES ±----		±0.005		CHK'D: LIKITV 2023/02/10										
	2 PLACES ±0.13		±0.01		APPR: GGA 2023/02/16										
	1 PLACE ±0.25		±0.02		INITIAL REVISION:										
0 PLACES ±----		±----		DRWN: HRUIZ01 2014/09/04											
ANGULAR TOL ± 0.5 °				APPR: JFMURPHY 2015/03/23											
DRAFT WHERE APPLICABLE MUST REMAIN WITHIN DIMENSIONS				THIRD ANGLE PROJECTION		DRAWING		SERIES		MATERIAL NUMBER		CUSTOMER		SHEET NUMBER	
				C-SIZE		130095		SEE TABLE		GENERAL MARKET		1 OF 1			

molex

PULLING GRIPS
MULTI-WEAVE ROTATING EYE

PRODUCT CUSTOMER DRAWING

DOCUMENT NUMBER: SD-130095-110
DOC TYPE: PSD
DOC PART: 001
REVISION: A1