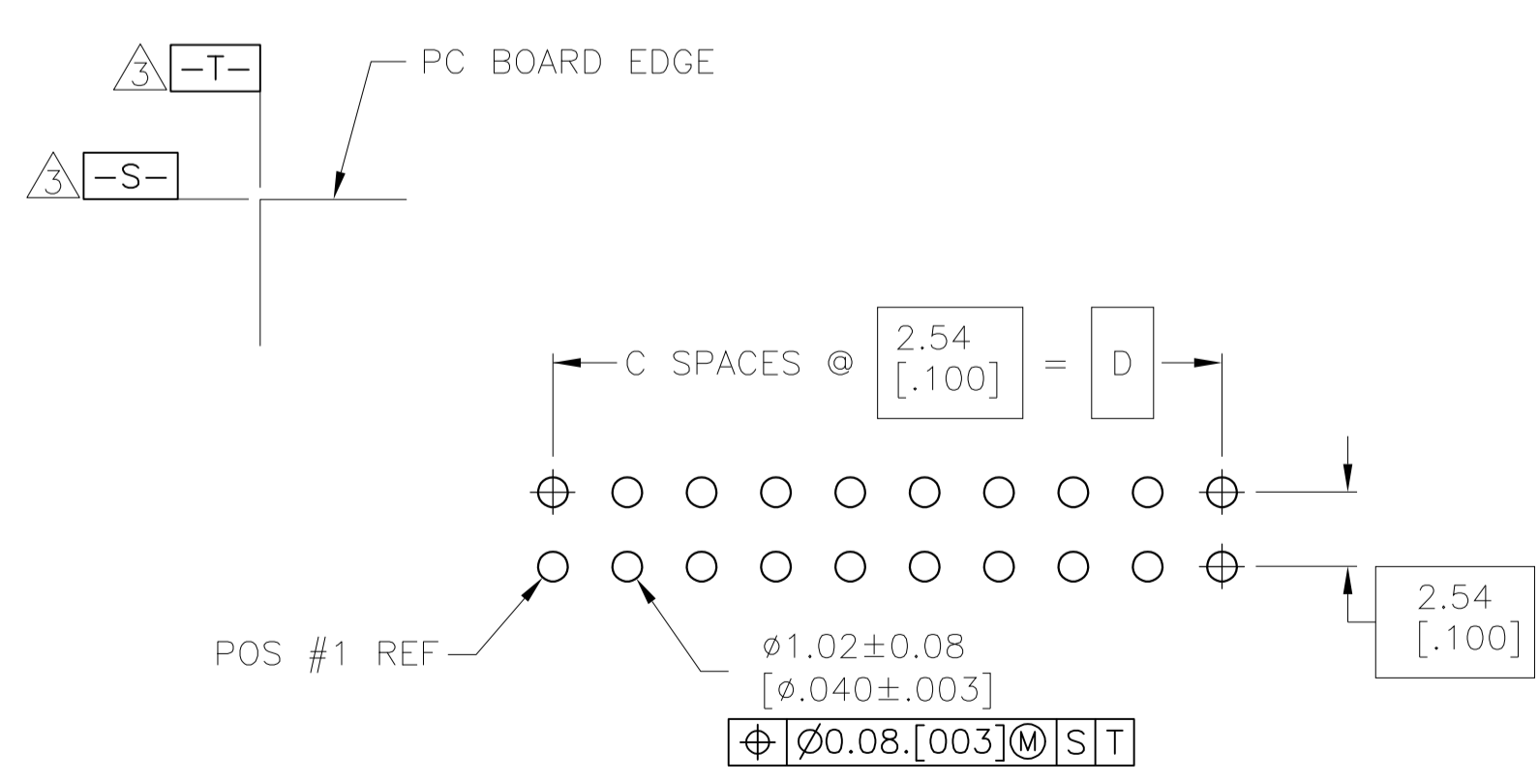
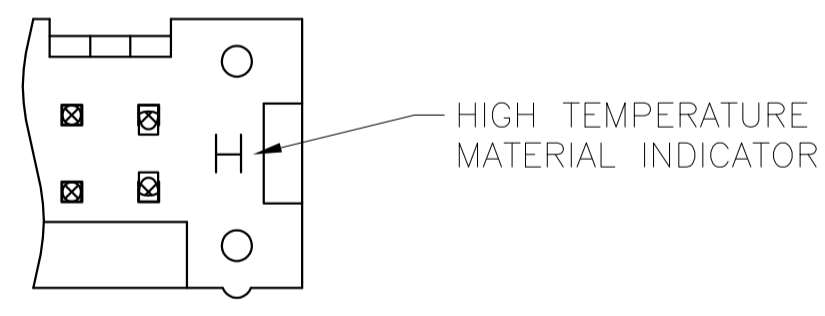
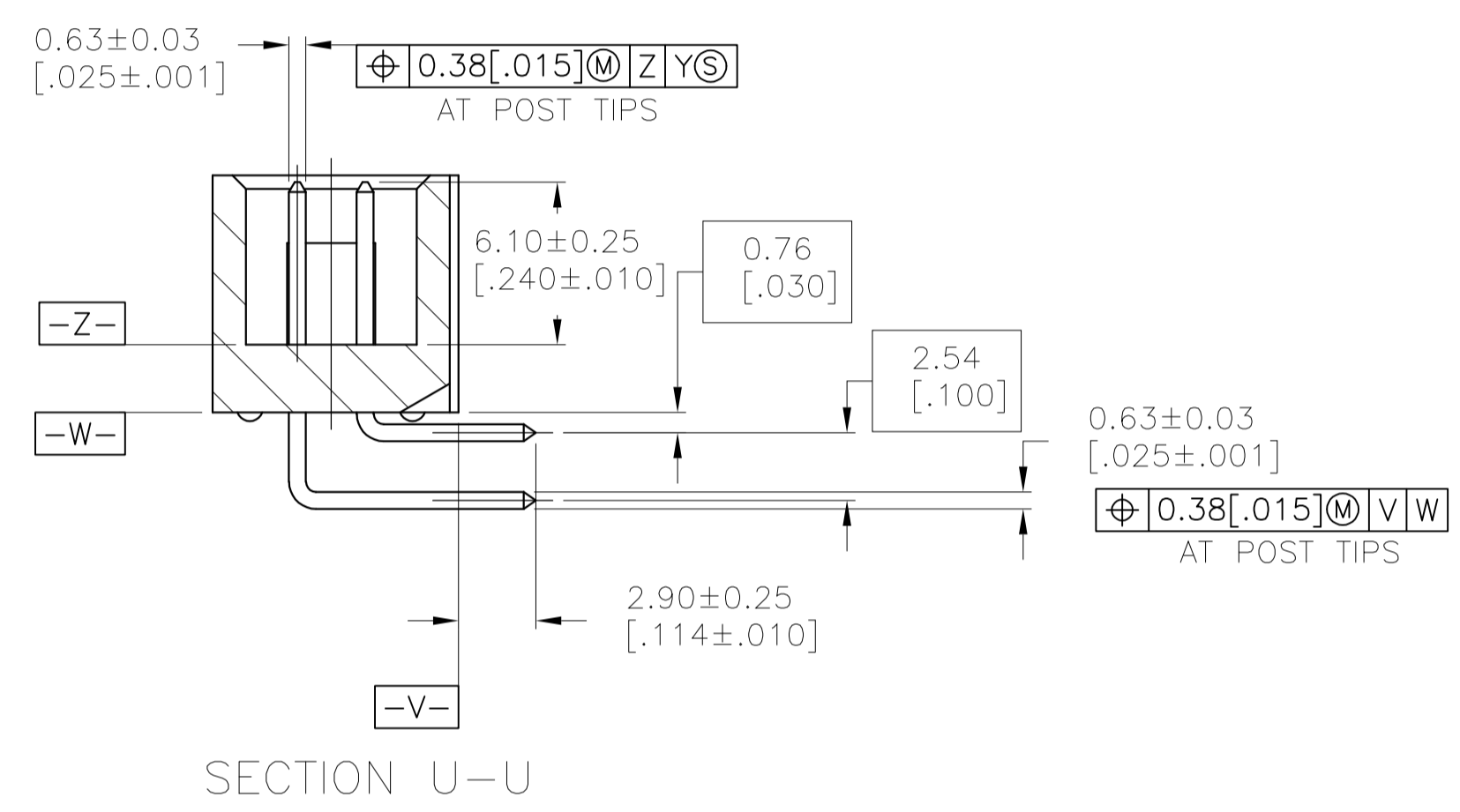
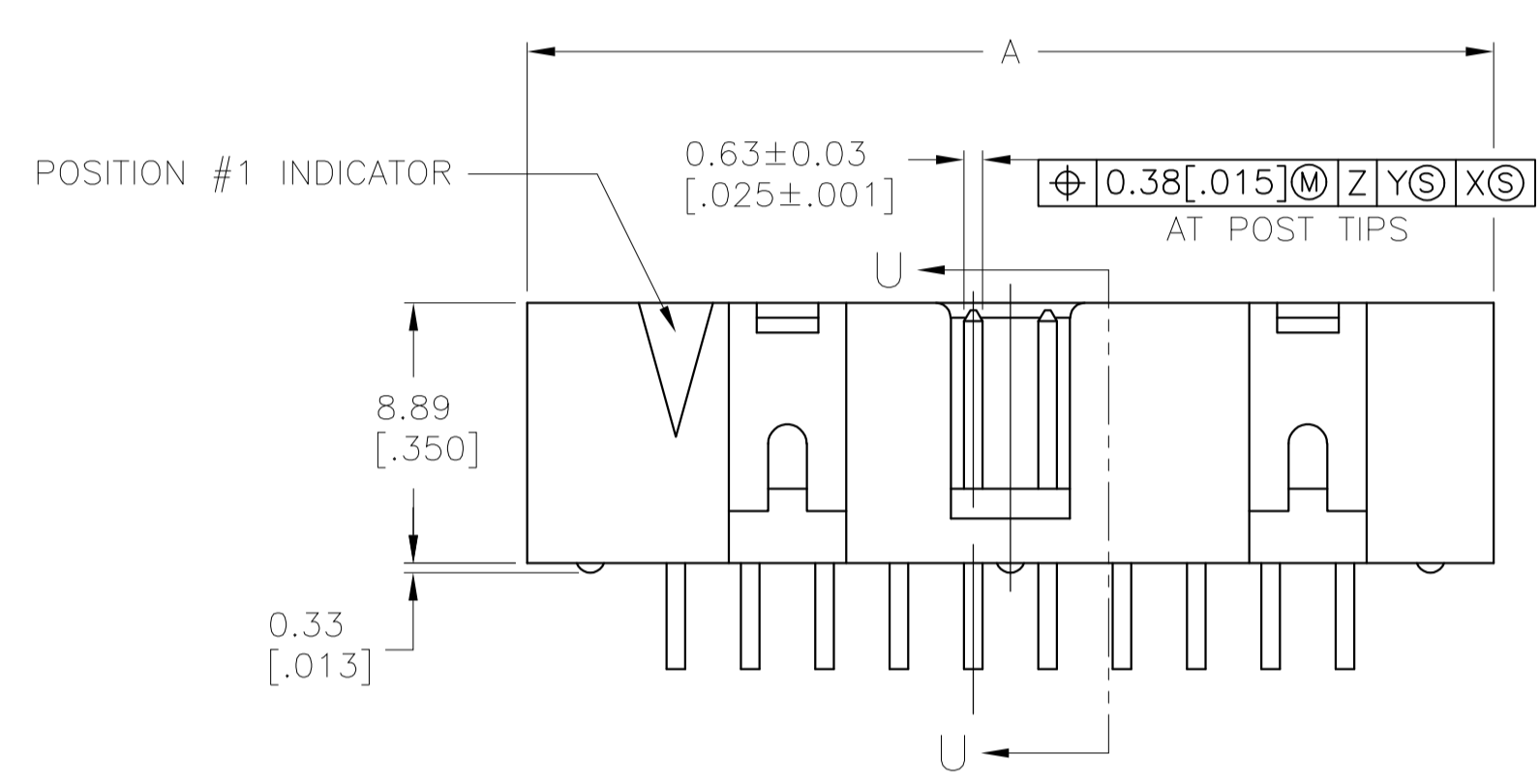


- △ HOUSING: PCT, UL94V-0, COLOR BLACK.
- POSTS: PHOSPHOR BRONZE.
- △ POSTS: 0.00038[.000015] MIN GOLD ON MATING AREA, 0.00254[.000100] MIN TIN ON SOLDER END, ALL OVER 0.00127[.000050] MIN NICKEL ON ENTIRE POST.
- △ DATUMS S & T TO BE ESTABLISHED BY CUSTOMER.
- △ NO KEYING SLOT ON THIS END FOR 10 & 14 POSITION ASSEMBLIES.
- △ NO KEYING SLOT ON THIS END FOR 10 POSITION ASSEMBLIES.



RECOMMENDED PC BOARD LAYOUT
(VIEWED FROM CONNECTOR SIDE)

OBsolete	60.96 [2.400]	24	68.58 [2.700]	71.12 [2.800]	50	1-1761682-5
	48.26 [1.900]	19	55.88 [2.200]	58.42 [2.300]	40	1-1761682-3
	40.64 [1.600]	16	48.26 [1.900]	50.80 [2.000]	34	1-1761682-1
OBsolete	30.48 [1.200]	12	38.10 [1.500]	40.64 [1.600]	26	1761682-9
	22.86 [0.900]	9	30.48 [1.200]	33.02 [1.300]	20	1761682-7
	17.78 [0.700]	7	25.40 [1.000]	27.94 [1.100]	16	1761682-6
	15.24 [0.600]	6	22.86 [0.900]	25.40 [1.000]	14	1761682-5
	10.16 [0.400]	4	17.78 [0.700]	20.32 [0.800]	10	1761682-3
	D	C	B	A	NO OF POS	PART NUMBER

THIS DRAWING IS A CONTROLLED DOCUMENT.

DIMENSIONS: mm	TOLERANCES UNLESS OTHERWISE SPECIFIED:	DIN B. CRISAMORE/DJI 23MAY05	CHK S. BOLASH 23MAY05	APVD M. WALMSLEY 23MAY05	NAME
0 PLC ± -	1 PLC ± -	2 PLC ± -	3 PLC ± 0.13[.005]	4 PLC ± -	ANGLES ± -
MATERIAL	FINISH	SIZE	CAGE CODE	DRAWING NO	RESTRICTED TO
		A1	00779	1761682	
CUSTOMER DRAWING		SCALE	4:1	SHEET 1 of 1	REV A1

STE TE Connectivity
 HEADER ASSEMBLY, HIGH TEMP, RIGHT ANGLE, LOW PROFILE, IDC