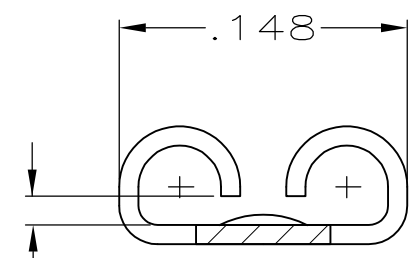
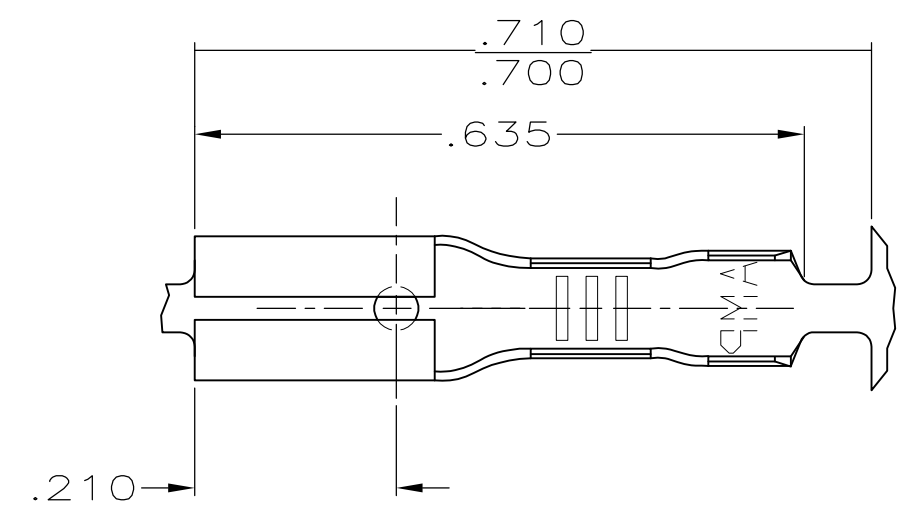


THIS DRAWING IS UNPUBLISHED. RELEASED FOR PUBLICATION  
 © COPYRIGHT - By - ALL RIGHTS RESERVED.

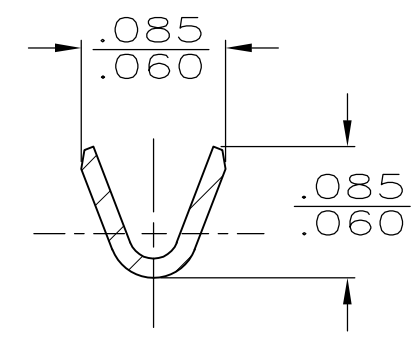
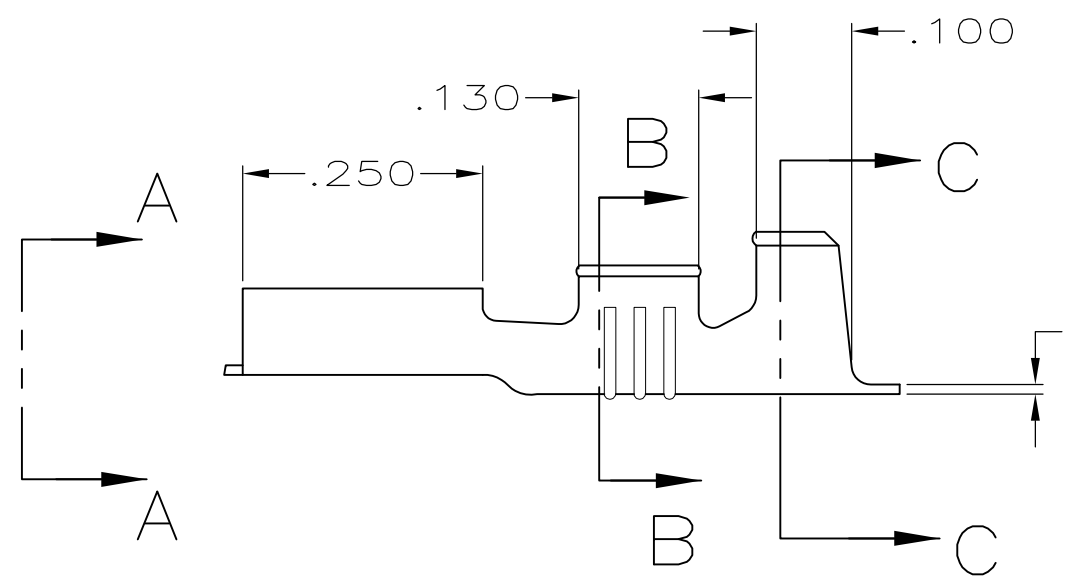
LOC	DIST	REVISIONS					
AF	50	P	LTR	DESCRIPTION	DATE	DWN	APVD
			AA	REVISED PER ECR-12-013445	18OCT12	KH	PD



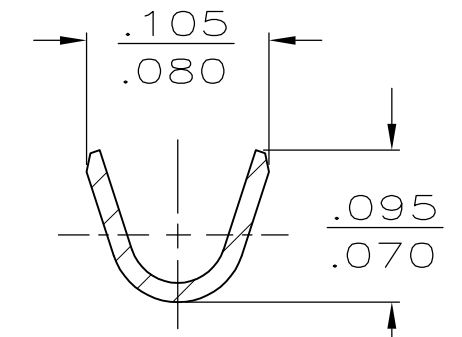
FITS .110 SERIES FASTON TABS

VIEW A-A  
SCALE 10:1

- 1 CONTINUOUS STRIP ON REELS.
- 2 PRELIMINARY - NOT FOR PRODUCTION.
- 3 PART TO BE PUT ON PLASTIC REELS



SECTION B-B  
SCALE 10:1



SECTION C-C  
SCALE 10:1

3 2	PRE-TIN	.040-.060	#24-#22	.016	42415-5
	PRE-TIN	.040-.060	#24-#22	.016	42415-1
	FINISH	INSUL RANGE	WIRE SIZE	MATING TAB THK ±.001	PART NO.

THIS DRAWING IS A CONTROLLED DOCUMENT.		DWN	JR RUTH	3/27/91	TE Connectivity RECEPTACLE, FASTON, .110 SERIES										
DIMENSIONS: INCHES		CHK	MS FEHER	3/27/91				NAME							
TOLERANCES UNLESS OTHERWISE SPECIFIED:		APVD	C MEYERS	3/27/91				PRODUCT SPEC							
0 PLC ± - 1 PLC ± - 2 PLC ± - 3 PLC ± .015 4 PLC ± - ANGLES ± -		APPLICATION SPEC						RESTRICTED TO							
MATERIAL: BRASS		FINISH: SEE TABLE		WEIGHT	-										
CUSTOMER DRAWING				SIZE	A3	CAGE CODE	00779	DRAWING NO	C-42415	SCALE	5:1	SHEET	1 OF 1	REV	AA