

626377-1 ✓ ACTIVE

FASTON | FASTON 250

TE Internal #: 626377-1

Quick Disconnects, Tab, 22 – 18 AWG Wire Size, .32 – .82 mm² Wire Size, Mating Tab Width 6.35 mm [.25 in], Straight, Brass, FASTON 250

[View on TE.com >](#)



Terminals & Splices > Quick Disconnects



Quick Disconnect Terminal Type: **Tab**

Wire Size: **.32 – .82 mm²**

Mating Tab Width: **6.35 mm [.25 in]**

Mating Tab Thickness: **.81 mm [.032 in]**

Features

Product Type Features

Insertion Force	Normal
-----------------	--------

Configuration Features

Compatible With Wire & Cable Type	Discrete Wire
-----------------------------------	---------------

Contact Features

Quick Disconnect Terminal Type	Tab
Mating Tab Width	6.35 mm [.25 in]
Mating Tab Thickness	.81 mm [.032 in]
Terminal Orientation	Straight
Contact Base Material	Brass
Terminal Plating Material	Unplated
Crimp Type	F-Crimp
Barrel Type	Open

Termination Features

Product Terminates To	Wire & Cable
-----------------------	--------------



Mechanical Attachment

Wire Insulation Support	With
Mating Retention Type	Hole

Dimensions

Terminal Material Thickness	.4 mm[.015 in]
Product Length	19.3 mm[.76 in]
Compatible Insulation Diameter Range	2.03 – 3 mm[.08 – .118 in]
Wire Size	.32 – .82 mm ²

Usage Conditions

Insulation Option	Uninsulated
-------------------	-------------

Industry Standards

Agency/Standard	CSA, UL
-----------------	---------

Packaging Features

Packaging Quantity	8000
Packaging Method	Reel

Product Compliance

[For compliance documentation, visit the product page on TE.com>](#)

EU RoHS Directive 2011/65/EU	Compliant
EU ELV Directive 2000/53/EC	Compliant
China RoHS 2 Directive MIIT Order No 32, 2016	No Restricted Materials Above Threshold
EU REACH Regulation (EC) No. 1907/2006	Current ECHA Candidate List: JUNE 2023 (235) Candidate List Declared Against: JUNE 2023 (235) Does not contain REACH SVHC
Halogen Content	Low Halogen - Br, Cl, F, I < 900 ppm per homogenous material. Also BFR/CFR/PVC Free
Solder Process Capability	Not applicable for solder process capability

Product Compliance Disclaimer

This information is provided based on reasonable inquiry of our suppliers and represents our current actual knowledge based on the information they provided. This information is subject to change. The part numbers that TE has identified as EU RoHS compliant have a maximum concentration of 0.1% by weight in homogenous materials for lead, hexavalent chromium, mercury, PBB, PBDE, DBP, BBP, DEHP, DIBP, and 0.01% for cadmium, or qualify for an exemption to these limits as defined in the Annexes of Directive 2011/65/EU (RoHS2). Finished electrical and electronic equipment products will be CE marked as required by Directive 2011/65/EU. Components may not be CE marked. Additionally, the part

numbers that TE has identified as EU ELV compliant have a maximum concentration of 0.1% by weight in homogenous materials for lead, hexavalent chromium, and mercury, and 0.01% for cadmium, or qualify for an exemption to these limits as defined in the Annexes of Directive 2000/53/EC (ELV). Regarding the REACH Regulation, the information TE provides on SVHC in articles for this part number is based on the latest European Chemicals Agency (ECHA) 'Guidance on requirements for substances in articles' posted at this URL: <https://echa.europa.eu/guidance-documents/guidance-on-reach>

Compatible Parts



TE Part # 2-2150244-1
OCEAN_2.0_Applicator-E-090F140F



TE Part # 2-2150244-2
OCEAN_2.0_Applicator-E-090F140F



TE Part # 2150244-1
OCEAN_2.0_Applicator-E-090F140F




TE Part # 2150244-2
OCEAN_2.0_Applicator-E-090F140F




KIT
REPRESENTATION ONLY

TE Part # 7-2150244-7
OCEAN_2.0_SPARE_PART_KIT-090F140F


Also in the Series | FASTON 250



Compression Connectors(4)




Crimp Terminal Housings(142)




Insertion & Extraction Tools(6)



Magnet Wire Terminals(1)



PCB Terminals(135)

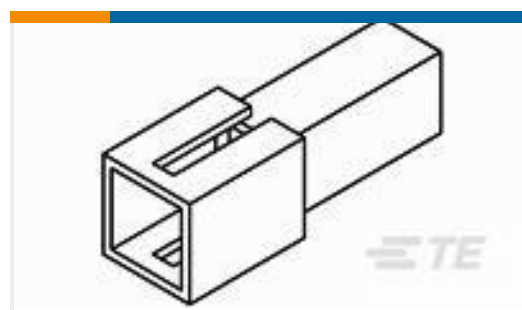


Quick Disconnects(445)



Splices(4)

Customers Also Bought



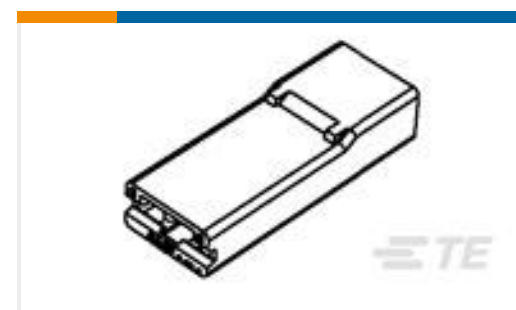
TE Part #626063
1 WAY FASTIN-ON 110 HSG TAB NAT
NYLON



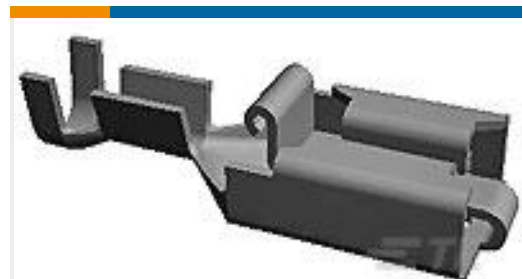
TE Part #880688-1
FF 250 TERMINAL 0.5-1.0MM2 0.39
X13.2 BR



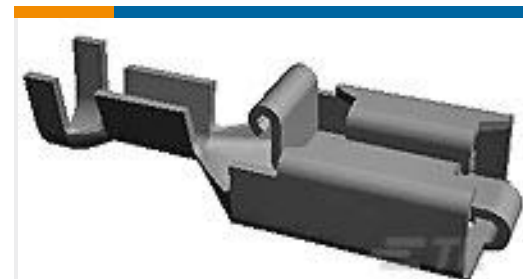
TE Part #1-2133341-2
250 HSG. PL MKI REC. NAT



TE Part #8-735075-0
250 FASTON HSG. REC. 1P NATURAL



TE Part #880645-1
PL REC 1.0-2.5 MM2 0.40 X 52.32 BR



TE Part #880646-1
PL REC 0.5-1.0MM2 0.40 X 52.32 BR



TE Part #626279-1
RING TONGUE 0.5-1.50 MM2
PLAINNUBR



TE Part #735212-1
FF 250 REC 22-17AWG BR



TE Part #880643-1
RING TONGUE 1.0-2.5 MM2 0.61 X
14.60 BR

Documents

Product Drawings

[TERMINAL FASTON .250 TAB 22-18 AWG BR](#)

English

CAD Files

[3D PDF](#)

3D

[Customer View Model](#)

[ENG_CVM_CVM_626377-1_H_c-626377-1-h.2d_dxf.zip](#)

English

[Customer View Model](#)

[ENG_CVM_CVM_626377-1_H_c-626377-1-h.3d_igs.zip](#)

English

[Customer View Model](#)

[ENG_CVM_CVM_626377-1_H_c-626377-1-h.3d_stp.zip](#)

English

By downloading the CAD file I accept and agree to the [Terms and Conditions](#) of use.