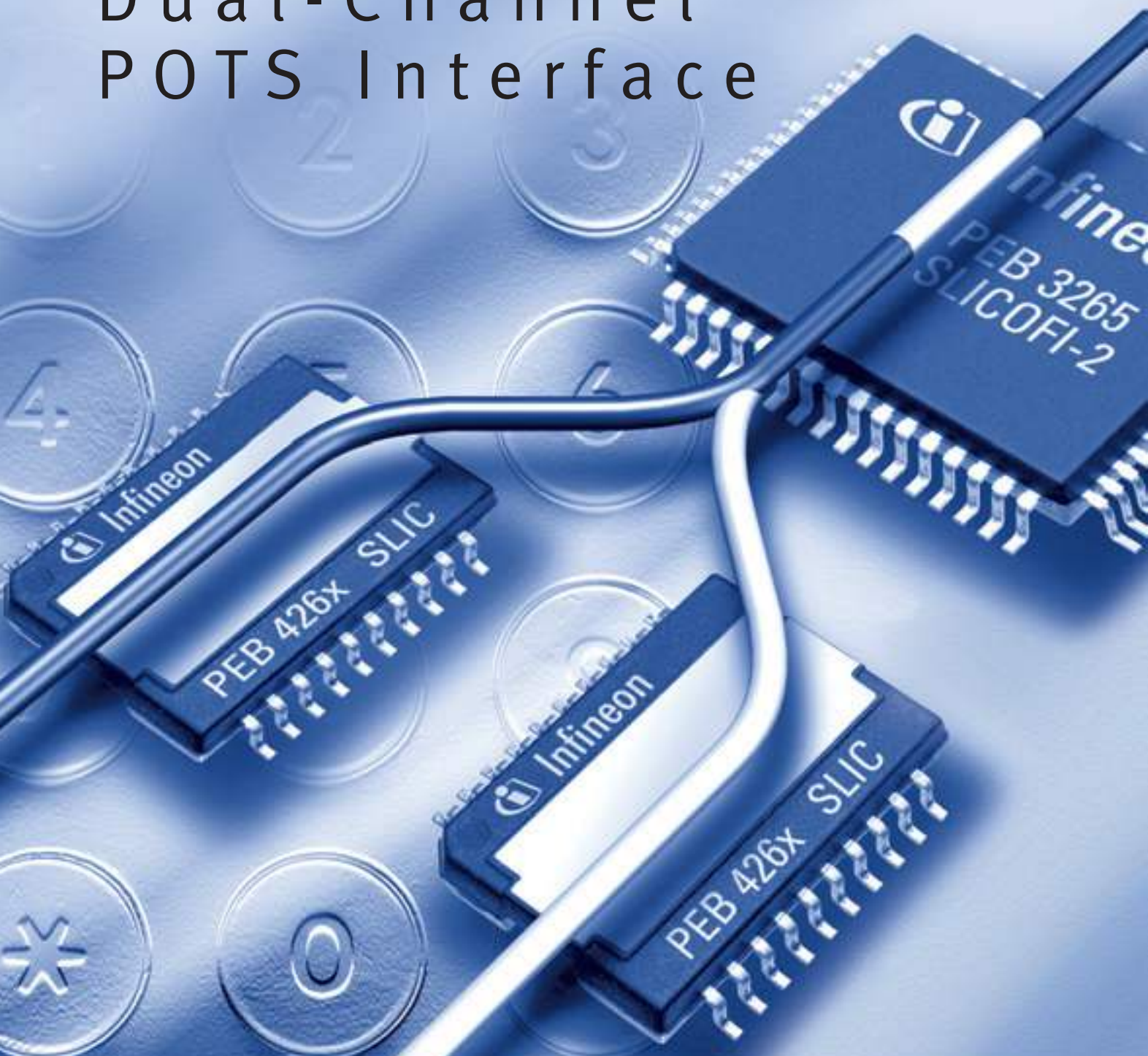


DuSLIC Dual-Channel POTS Interface



www.infineon.com/duslic



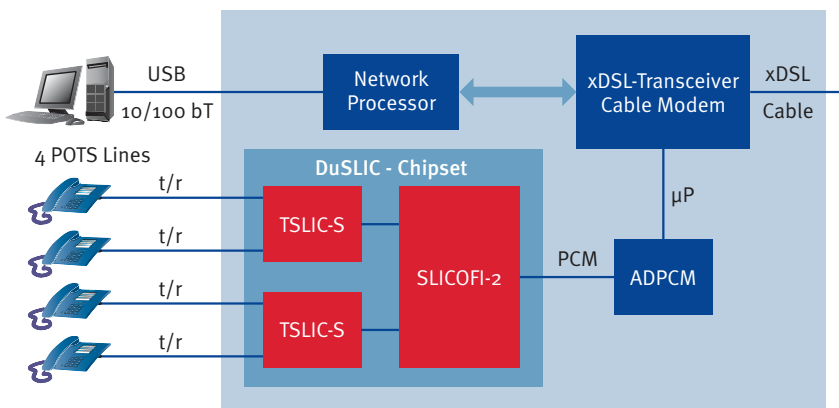
Never stop thinking.

DuSLIC FAMILY

A COMPLETE SOLUTION FOR ANALOG TELEPHONY APPLICATIONS

INFINEON'S DuSLIC (Dual Channel Subscriber Line Interface Concept) chipset provides a two-channel POTS interface optimized for Customer Premise Equipment and Access Network applications, both in standard telephony and in Voice over Packet technology.

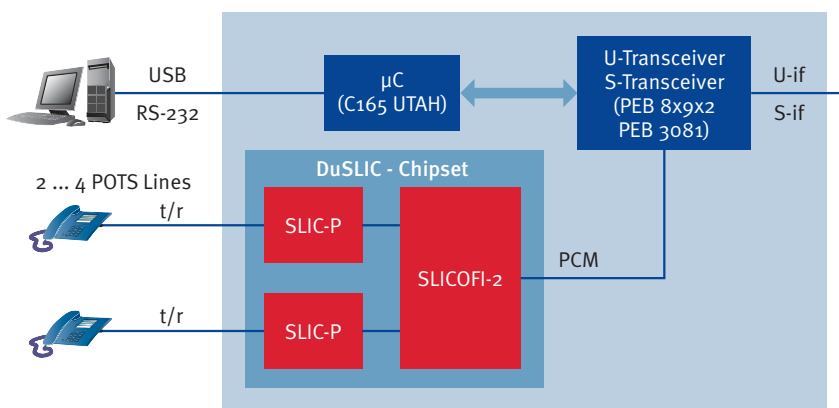
THE FULLY PROGRAMMABLE DuSLIC chipset provides optimum voice and modem transmission performance, extremely low power consumption, and a comprehensive set of new system features such as DTMF, echo cancellation, integrated ringing and line testing. It consists of a two-channel codec-filter with enhanced functionality (with or without enhanced feature set) and either two single-channel SLICs or one dual-channel TSLIC.



IAD/Cable Modem Applications

MAIN ADVANTAGES FOR IAD/CABLE MODEM

- Optimized for VoDSL, VoIP, VoATM and VoCable
- Integrated DTMF receiver, CLIP generation, metering pulses, etc.
- Integrated line echo cancellation (8 ms)
- Ring generation (balanced and unbalanced) integrated



ISDN Applications, e.g. intelligent NT

MAIN ADVANTAGES FOR ISDN APPLICATIONS

- Integrated DTMF receiver, CLIP generation, metering pulses, etc.
- Integrated ring generation (balanced and unbalanced)
- Lowest power for lifeline support

SYSTEM REQUIREMENTS

NEW VoX TECHNOLOGIES

- Echo Cancellation needed to avoid bad voice quality in packet based networks
- Easy-to-use and available solutions necessary to speed time-to-market; SW and HW available
- Modem-performance at V.90 transmission for maximum speed
- Compatibility to existing POTS solutions
- Strong price/performance ratio



WORLDWIDE MARKET—“ONE DESIGN FOR ALL MARKETS”

- Voice (AC) impedances and levels programmable
- Feeding current, ring-trip, loop length programmable
- Ring voltage, offset, balanced/unbalanced programmable; ringing integrated, no relays
- DTMF receiver and transmitter (touchtone), tone generation, metering (TTX), CLIP as DTMF/FSK integrated and programmable



LIFELINE SUPPORT

- Low power consumption. At least one phone line working from remote feeding to cover emergency situations
- Power management offering full performance in normal situation, and full control in lifeline mode



INTEGRATED TESTING—ENABLING FULL QUALITY OF SERVICE (QoS)

- Remote line testing of short-circuits, foreign-voltage, capacitance, resistance, etc. to eliminate service visits to individual sites
- No extensive final factory testing necessary due to self-test capability



MEETING THE REQUIREMENTS WITH DuSLIC



ENHANCED FEATURE SET

DTMF receiver, tone generator, CLIP generator, echo-cancellation integrated in codec device without external components offers:

- High integration
- Cost effective solutions
- Optimum performance



PROGRAMMABILITY

All AC, DC and ring parameters SW programmable on same HW platform with optimized filter structures allowing for:

- No need for external RAM, ring generator, relays etc.
- Worldwide standard requirements
- Optimized voice and V.90 performance



OPTIMIZED POWER CONSUMPTION

Lowest drop voltages available in the market along with enhanced power management supply:

- Lifeline supported
- 3.3 V SLICs allow for complete 3.3 V power supply designs

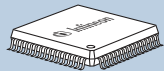






INTEGRATED LINE TESTING

Calculating line behavior through integrated measurement of voltages, currents, and tones help to enable:

- Enhanced QoS
- No additional costs
- More safety and comfort for customers

DuSLIC FAMILY OVERVIEW

Features			SLICOFI-2	SLICOFI-2S	SLICOFI-2S2
Number of voice channels			2	2	2
DTMF detection			Yes	No	No
Line echo cancellation (up to 8 ms)			Yes	No	No
Caller-ID generation			Yes	No	No
Integrated test and diagnosis (linetesting)			Yes	No	No
Modem (V.90) transmission			Yes	Yes	Yes
Modem tone detection			Yes	No	No
Metering pulses (TTX)			Up to 2.5 Vrms	Up to 1.2 Vrms	No
PCM/IOM interface			Yes	Yes	Yes
Serial controller interface			Yes	Yes	Yes
Internal ring support			Yes	Yes	No
External ringing support			Yes	Yes	Yes
Supply voltage			3.3 V	3.3 V	3.3 V
Package	Figure	Dimensions			
P-MQFP-64-1		17.2 x 17.2 mm	PEB 3265H v1.3	PEB 3264H v1.4	PEB 3264-2H v1.4
P-TQFP-64-1		12 x 12 mm	PEB 3265F v1.3	PEB 3264F v1.4	PEB 3264-2F v1.4

Features			SLIC-S	SLIC-S2	SLIC-E	SLIC-E2	SLIC-P
Maximum DC feeding			32 mA	50 mA	32 mA	50 mA	32 mA
Maximum ringing voltage (balanced)			45 Vrms	45 Vrms	85 Vrms	85 Vrms	85 Vrms
Maximum ringing voltage (unbalanced)			–	–	–	–	50 Vrms
Longitudinal balance			53 dB	60 dB	53 dB	60 dB	53 dB
Supply voltages (negative/positive)			2/1	2/1	2/1	2/1	3/0
Supply voltage			3.3 V ... 5.0 V ¹⁾	3.3 V ... 5.0 V ¹⁾	5.0 V	5.0 V	3.3 V ... 5.0 V
External ringing support			Yes	Yes	Yes	Yes	Yes
Technology			90 V	90 V	170 V	170 V	170 V
On-hook transmission capability			Yes	Yes	Yes	Yes	Yes
Target application			Low cost CPE	Linecard	CPE	Linecard	Low power CPE
Package	Figure	Dimensions					
P-DSO-20-5 (single channel)		15.9 x 14.2 mm	PEB 4264T v1.1 ¹⁾	PEB 4264-2T v1.1 ¹⁾	PEB 4265T v1.1	PEB 4265-2T Tv1.1	PEB 4266T v1.1
P-DSO-36-10 (dual channel)		15.9 x 14.2 mm	PEB 4364T v1.2 (2 channels) TSLIC-S	–	PEB 4365T v1.1 (2 channels) TSLIC-E	–	–
P-VQFN-48 (single channel)		7 x 7 mm	PEB 4264V v1.2	PEB 4264-2V v1.2	PEB 4265V v1.1	PEB 4265-2V v1.1	PEB 4266V v1.1

¹⁾ PEB 4264T in P-DSO-20 only available in v1.1

INFINEON TECHNOLOGIES AG'S SALES OFFICES WORLDWIDE – PARTLY REPRESENTED BY SIEMENS AG

- A**
Infineon Technologies Villach AG
Vertrieb
Operngasse 20B/3/31
1040 Wien
☎ (+43) 1-5 87-70 70 0
Fax (+43) 1-5 87-70 70 20 0
- AUS**
Siemens Ltd.
885 Mountain Highway
Bayswater, Victoria 3153
☎ (+61) 3-97 21 21 11
Fax (+61) 3-97 21 72 75
- BR**
Infineon Technologies
South America Ltda.
Semicondutores
Avenida Eduardo Roberto Daher 1135,
Centro
06850-970 Itapeperia da Serra-SP
☎ (+55) 11-79 48-74 77
Fax (+55) 11-79 48-74 88
- CDN**
Infineon Technologies Corporation
320 March Road, Suite 604
Kanata, Ontario K2K 2E2
☎ (+1) 6 13-5 91 63 86
Fax (+1) 6 13-5 91 63 89
- CH**
Infineon Technologies AG
Siemens Schweiz AG
Freilagerstrasse 40
8047 Zürich
☎ (+41) 1-4 95 44 11
Fax (+41) 1-4 95 54 63
- D**
Infineon Technologies AG
Völklinger Str. 2
40219 Düsseldorf
☎ (+49) 2 11-3 99 29 30
Fax (+49) 2 11-3 99 14 81

Infineon Technologies AG
Werner-von-Siemens-Platz 1
30880 Laatzen (Hannover)
☎ (+49) 5 11-8 77 22 22
Fax (+49) 5 11-8 77 15 20

Infineon Technologies AG
Von-der-Tann-Straße 30
90439 Nürnberg
☎ (+49) 9 11-6 54 76 99
Fax (+49) 9 11-6 54 76 24

Infineon Technologies AG
Weissacher Straße 11
70499 Stuttgart
☎ (+49) 7 11-1 37 33 14
Fax (+49) 7 11-1 37 24 48

Infineon Technologies AG
Halbleiter Distribution
Richard-Strauss-Straße 76
81679 München
☎ (+49) 89-92 21 40 86
Fax (+49) 89-92 21 20 71
- DK**
Infineon Technologies Nordic AS
Borupvang 3
2750 Ballerup
☎ (+45) 44 77-47 48
Fax (+45) 44 77-40 48
- E**
Siemens S.A.
Dpto. Componentes
Ronda de Europa, 5
28760 Tres Cantos-Madrid
☎ (+34) 91-5 14 71 51
Fax (+34) 91-5 14 70 13
- F**
Infineon Technologies France,
39/47, Bd. Ornano
93527 Saint-Denis CEDEX 2
☎ (+33) 1-49 22 31 00
Fax (+33) 1-49 22 28 01
- FIN**
Infineon Technologies Nordic OY
P.O.Box 60
02601 Espoo (Helsinki)
☎ (+3 58) 10-5 11 51 51
Fax (+3 58) 10-5 11 24 95
- GB**
Infineon Technologies UK Ltd
Infineon House, Fleet Mill
Minley Road, Fleet
GB-Hampshire
GU51 2RD
☎ (+44) 12 52-77 22 00
Fax (+44) 12 52-77 22 01
- H**
Simacomp Kft.
Lajos u. 103
1036 Budapest
☎ (+36) 1-4 57 16 90
Fax (+36) 1-4 57 16 92
- HK**
Infineon Technologies
Hong Kong Ltd.
Suite 302, Level 3,
Festival Walk,
80 Tat Chee Avenue,
Yam Yat Tsuen,
Kowloon Tong
Hong Kong
☎ (+8 52) 28 32 05 00
Fax (+8 52) 28 27 97 62
- I**
Infineon Technologies Italia
Via Vipiteno 4
20127 Milano
☎ (+39) 02-66 76-1
Fax (+39) 02-66 76 43 95
- IND**
Siemens Ltd.
Components Division
No. 84 Keonics Electronic City
Hosur Road
Bangalore 561 229
☎ (+91) 80-8 52 11 22
Fax (+91) 80-8 52 11 80

Siemens Ltd.
CMP Div, 5th Floor
4A Ring Road, IP Estate
New Delhi 110 002
☎ (+91) 11-3 31 99 12
Fax (+91) 11-3 31 96 04
- IND**
Siemens Ltd.
CMP Div, 4th Floor
130, Pandurang Budhkar Marg,
Worli
Mumbai 400 018
☎ (+91) 22-4 96 21 99
Fax (+91) 22-4 96 22 01
- IRL**
Siemens Ltd.
Electronic Components Division
8, Raglan Road
Dublin 4
☎ (+3 53) 1-2 16 23 42
Fax (+3 53) 1-2 16 23 49
- IL**
Nisko Ltd.
2A, Habarzel St.
P.O. Box 58151
61580 Tel Aviv – Israel
☎ (+9 72) 3-7 65 73 00
Fax (+9 72) 3-7 65 73 33
- J**
Infineon Technologies Japan K.K.
Takanawa Park Tower 9F
3-20-14, Higashi-Gotanda,
Shinagawa-ku,
141-0022, Tokyo
☎ (+81) 3-54 49 67 37
Fax (+81) 3-54 49 67 38
- MAL**
Infineon Technologies AG
Sdn Bhd
Bayan Lepas Free Industrial Zone 1
11900 Penang
☎ (+60) 4-6 44 99 75
Fax (+60) 4-6 41 48 72
- N**
Siemens Components
Scandinavia
Østre Aker vei 24
Postboks 10, Veitvet
0518 Oslo
☎ (+47) 22-63 30 00
Fax (+47) 22-68 49 13
Email: scs@components.siemens.se
- NL**
Infineon Technologies Holding B.V.
Sales Division Benelux
Westblaak 32
3012 KM Rotterdam
☎ (+31) 10-2 17 68 00
Fax (+31) 10-2 17 68 19
Email: benelux_info@infineon.com
- NZ**
Siemens Components
300 Great South Road
Greenland
Auckland
☎ (+64) 9-5 20 30 33
Fax (+64) 9-5 20 15 56
- P**
Siemens S.A.
an Componentes Electronicos
R. Irmaos Siemens, 1
Alfragide
2720-093 Amadora
☎ (+3 51) 1-4 17 85 90
Fax (+3 51) 1-4 17 80 83
- PK**
Siemens Pakistan Engineering
Co.Ltd.
PO Box 1129, Islamabad 44000
23 West Jinnah Ave
Islamabad
☎ (+92) 51-21 22 00
Fax (+92) 51-21 16 10
- PL**
Siemens SP. z.o.o.
ul. Zupnicza 11
03-821 Warszawa
☎ (+48) 22-8 70 91 50
Fax (+48) 22-8 70 91 59
- PRC**
Infineon Technologies
Hong Kong Ltd.
Beijing Office
Room 2106, Building A
Vantone New World Plaza
No. 2 Fu Cheng Men Wai Da Jie
100 037 Beijing
☎ (+86) 10-68 57 90 -06, -07
Fax (+86) 10-68 57 90 08

Infineon Technologies
Hong Kong Ltd.
Chengdu Office
Room 14J1, Jinyang Mansion
58 Tudu Street
Chengdu,
Sichuan Province 610 016
☎ (+86) 28-6 61 54 46 / 79 51
Fax (+86) 28-6 61 01 59

Infineon Technologies
Hong Kong Ltd.
Shanghai Office
Room 1101, Lucky Target Square
No. 500 Chengdu Road North
Shanghai 200 003
☎ (+86) 21-63 61 26 18 / 19
Fax (+86) 21-63 61 11 67

Infineon Technologies
Hong Kong Ltd.
Shenzhen Office
Room 1502, Block A
Tian An International Building
Renim South Road
Shenzhen 518 005
☎ (+86) 7 55-2 28 91 04
Fax (+86) 7 55-2 28 02 17
- RC**
Infineon Technologies
Asia Pacific Pte. Ltd.
Taiwan Branch
10F, No. 136 Nan King East Road
Section 23, Taipei
☎ (+8 86) 2-27 73 66 06
Fax (+8 86) 2-27 71 20 76
- ROK**
Siemens Ltd.
Asia Tower, 10th Floor
726 Yeoksam-dong, Kang-nam Ku
CPO Box 3001
Seoul 135-080
☎ (+82) 2-5 27 77 00
Fax (+82) 2-5 27 77 79
- RUS**
INTECH electronics
ul. Smolnaya, 24a/1203
125 445 Moscow
☎ (+7) 0 95-4 51 97 37
Fax (+7) 0 95-4 51 86 08
Email: ml-intec@aha.ru
- S**
Infineon Technologies Nordic AB
Box 46
164 93 Kista
☎ (+46) 8-7 03 59 00
Fax (+46) 8-7 03 59 01
- SGP**
Infineon Technologies Asia
Pacific, Pte. Ltd.
168 Kallang Way
Singapore 349 253
☎ (+65) 8 40 06 10
Fax (+65) 7 42 62 39
- USA**
Infineon Technologies Corporation
1730 North First Street
San Jose, CA 95112
☎ (+1) 4 08-5 01 60 00
Fax (+1) 4 08-5 01 24 24
- ZA**
Siemens Ltd. Components Division
P.O. Box 3438
Halfway House 1685
Gauteng
South Africa
☎ (+27) 11-6 52 -26 89
Fax (+27) 11-6 52 -25 73
Email: solutions@siemens.co.za