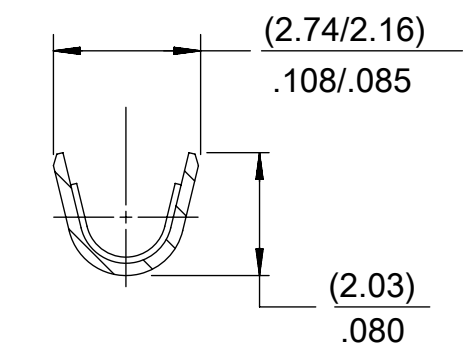
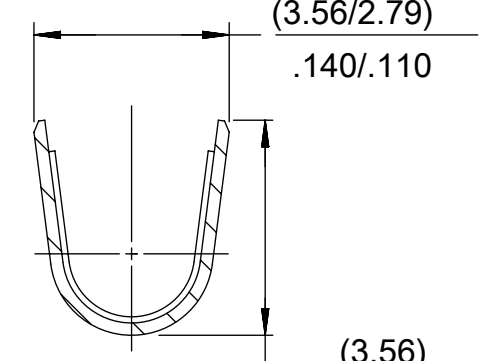


PART NO.	ENG. NO.
02-06-1101	1561-(P901)
02-06-1103	1561-(P901)L
02-06-5101	1561-(P561)
02-06-5102	1561-(P561)L
02-06-5108	1561-(P228)
02-06-5109	1561-(P228)L
02-06-5100	1561-(P550)
02-06-5103	1561-(P550)L
NOT TOOLED	1561-1(P901)L



SECT. "B-B"
SCALE:10X



SECT. "C-C"
SCALE:10X

LEGEND

1561-*(****)*

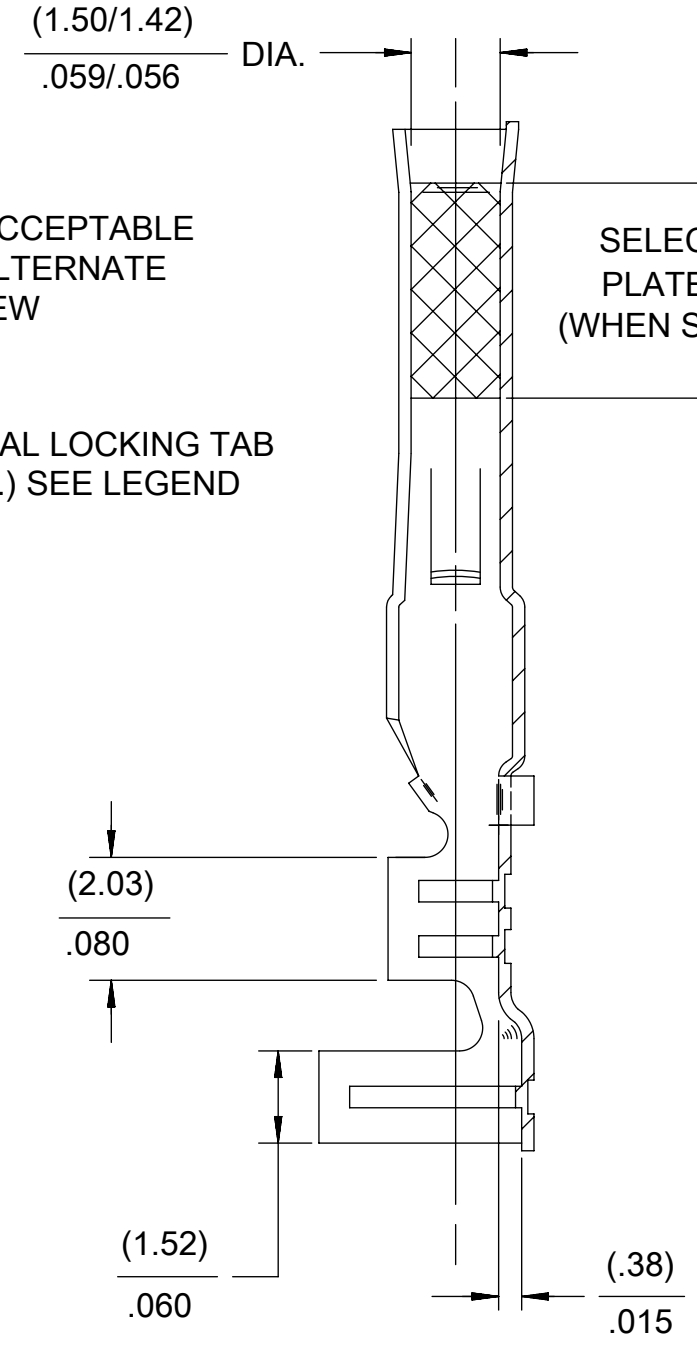
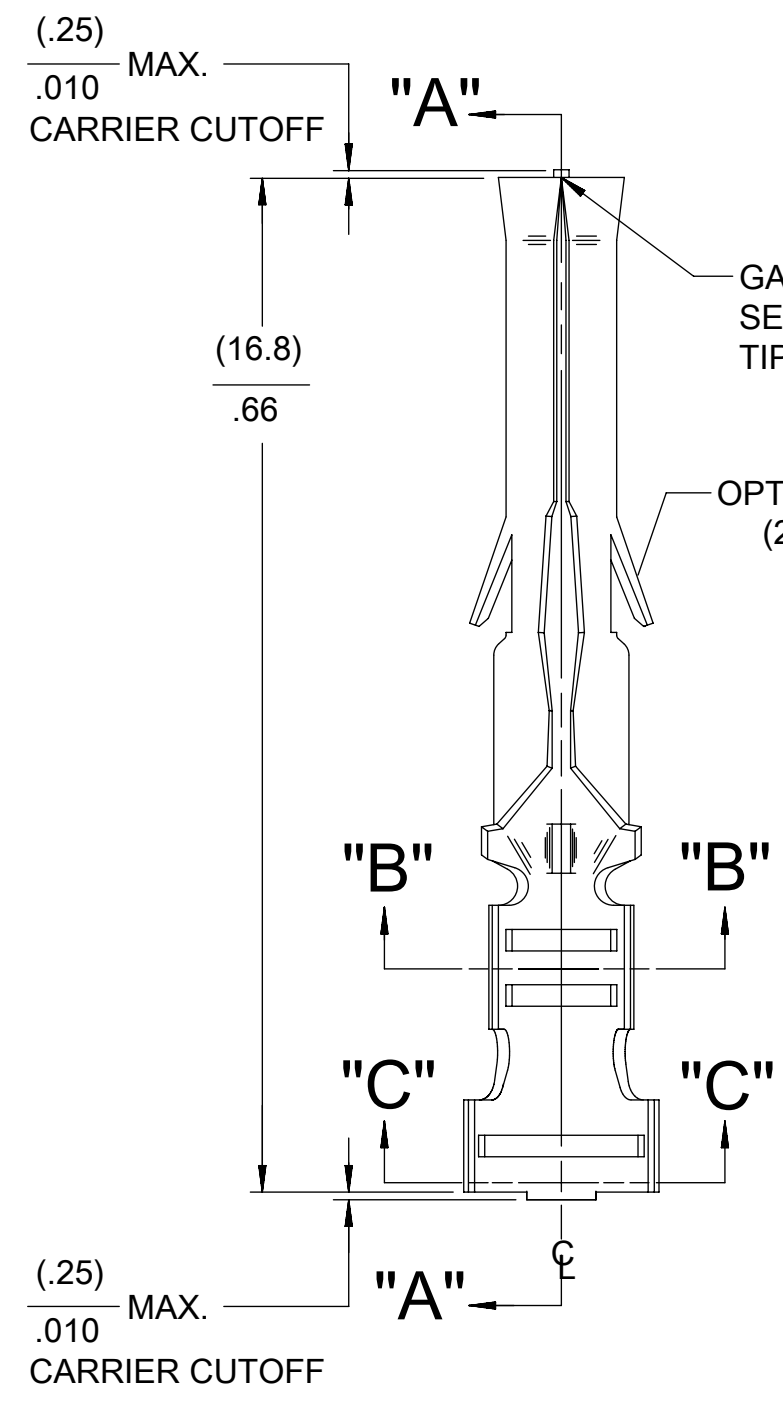
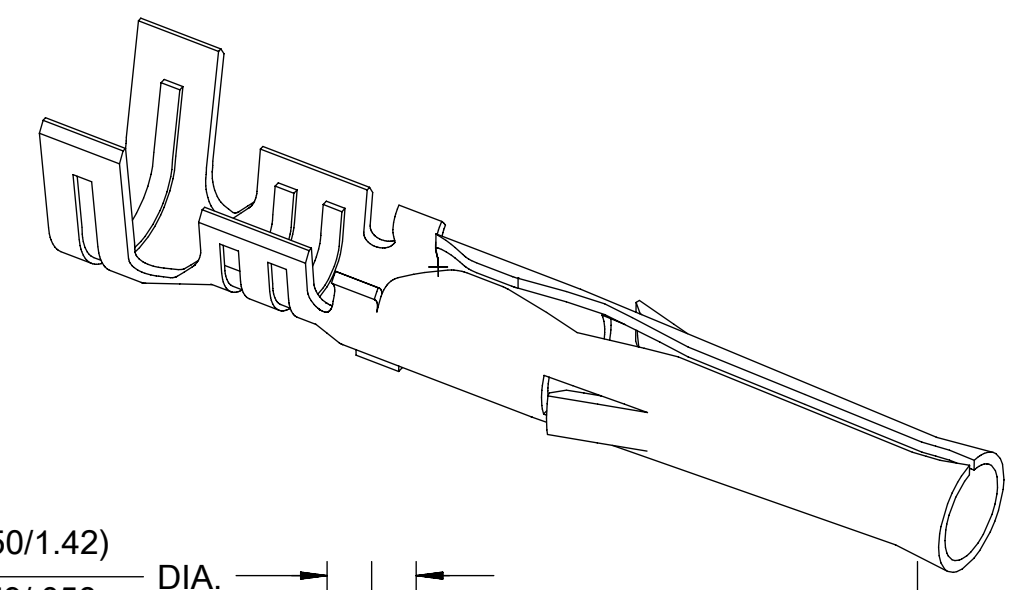
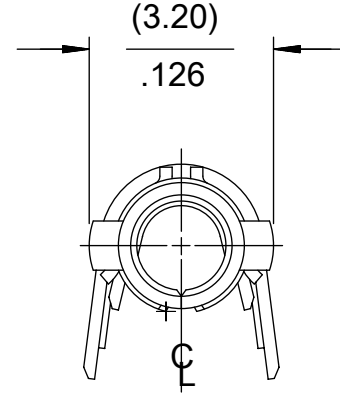
BLANK=WITH LOCKING TABS
1=WITHOUT LOCKING TABS

P=PREPLATE
BLANK=POSTPLATE

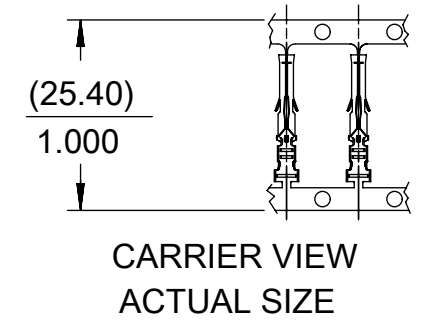
FORM
BLANK=CHAIN
L=LOOSE

FINISH CODE

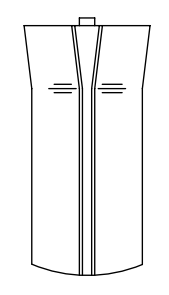
- NOTES:
- MATERIAL: BRASS
 - FINISH:
 - 901 HOT TIN DIP (.00051)/.000020 MIN.
 - 228 SELECT GOLD PLATE (.00075)/.000030 MIN. IN CONTACT AREA, SELECT TIN. (.00250)/.000100 MIN. IN CRIMP AREA OVER (.00125)/.000050 MIN. NICKEL OVERALL.
 - 561 SELECT GOLD PLATE (.00076)/.000030 MIN. IN CONTACT AREA, OVER (.00127)/.000050 MIN. NICKEL OVERALL.
 - 591 SELECT GOLD PLATE (.00175)/.000050 MIN. IN CONTACT AREA, OVER (.00127)/.000050 MIN. NICKEL OVERALL WITH (.000025)/.000010 MAX. GOLD FLASH OVERALL.
 - 550 SELECT GOLD PLATE (.00038)/.000015 MIN. IN CONTACT AREA, OVER (.00076)/.000030 MIN. NICKEL OVERALL WITH (.000025)/.000010 MAX. GOLD FLASH OVERALL.
 - PRODUCT SPECIFICATION: PS-02-06.
 - PACKAGING INFORMATION:
 - LOOSE TERMINALS: PK-1190-003
 - CHAIN TERMINALS: 15610000-PK
 - TERMINAL FOR USE WITH (1.57)/.062 DIA. SERIES HOUSINGS AND WILL ACCEPT 18 THRU 24 AWG WIRE WITH (1.52/3.05)/.060/.120 INSULATION DIA.
 - PARTS CONFORM TO CLASS B REQUIREMENTS OF COSMETIC SPECIFICATION PS-45499-002.
 - TIP GEOMETRY IS TOOL DEPENDENT. EITHER GEOMETRY IS ACCEPTABLE.



SECT. "A-A"



CARRIER VIEW
ACTUAL SIZE



ALTERNATE TIP GEOMETRY
SEE NOTE 7

FUNCTIONAL SYMBOLS FA = 0 FC = 0 FP = 0 DIVISIONAL SYMBOLS	THIS DRAWING CONTAINS INFORMATION THAT IS PROPRIETARY TO MOLEX ELECTRONIC TECHNOLOGIES, LLC AND SHOULD NOT BE USED WITHOUT WRITTEN PERMISSION				CURRENT REV DESC: OBSOLETE PART NUMBER AS PER PCN#509988			
	DIMENSION UNITS		SCALE		EC NO: 704776		2022/03/24	
	MM/IN		NTS		DRWN: SUGEEB		2022/05/24	
	GENERAL TOLERANCES (UNLESS SPECIFIED)				CHK'D: GGA		2022/05/24	
					APPR: GGA		2022/05/24	
4 PLACES ±		MM INCH		INITIAL REVISION:				
3 PLACES ±		± 0.01		DRWN: GEW		1991/02/19		
2 PLACES ±		0.25 ± 0.014		APPR: GWF		1991/02/19		
1 PLACE ±		0.36 ±		THIRD ANGLE PROJECTION				
0 PLACES ±		±		DRAWING		SERIES		
ANGULAR TOL ± 0.5 °				C-SIZE		1561		
DRAFT WHERE APPLICABLE MUST REMAIN WITHIN DIMENSIONS				MATERIAL NUMBER		CUSTOMER		
				SEE TABLE		GENERAL MARKET		
				DOCUMENT NUMBER		DOC TYPE DOC PART REVISION		
				SD-1561-X		PSD 001 AP4		
				SHEET NUMBER		1 OF 1		

DOCUMENT STATUS	P1	RELEASE DATE	2022/05/24	10:34:33
-----------------	----	--------------	------------	----------