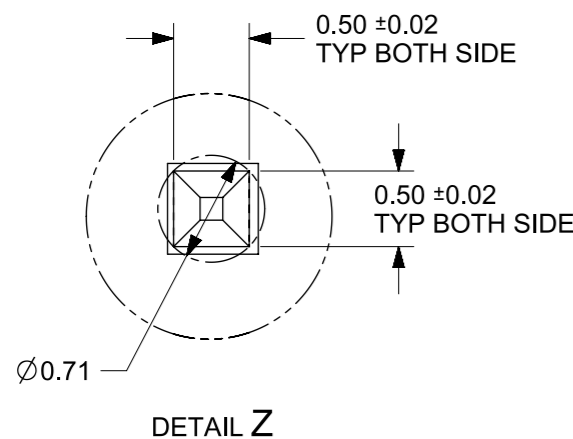
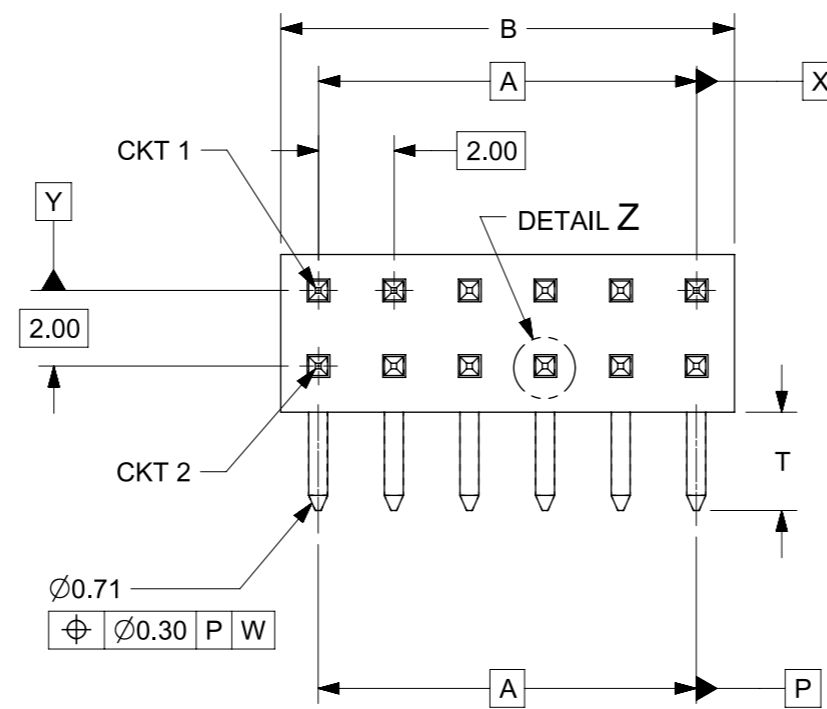
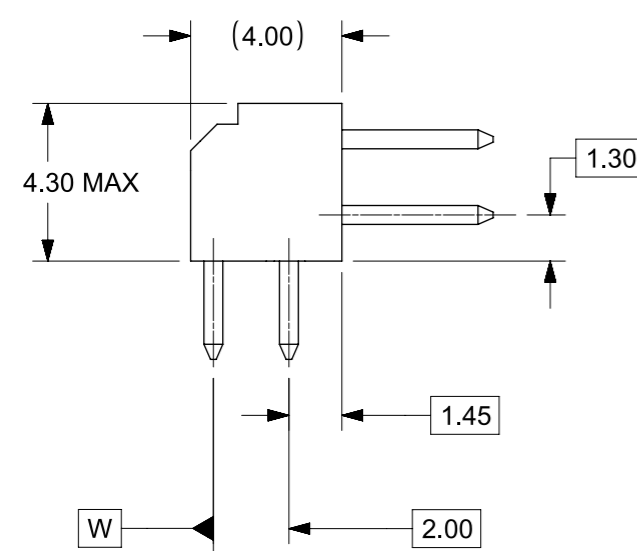
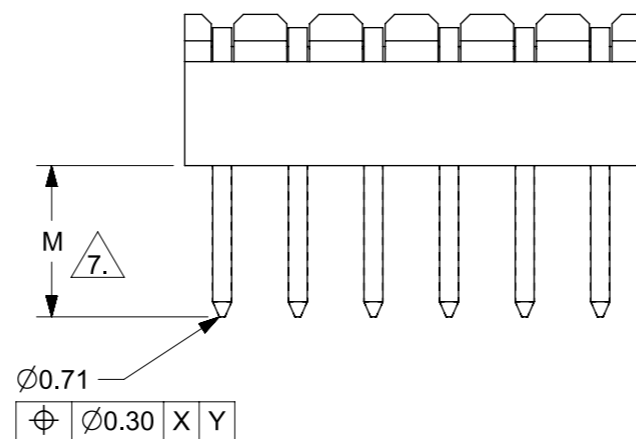


RECOMMENDED PCB LAYOUT



- NOTES:
- MATERIAL:
HSG: PCT, 30% GLASS FILLED, UL 94V-0, COLOUR BLACK.
PIN: 0.50MM SQ PHOSPHOR BRONZE 510
 - PLATING:
***5 - 0.05µm MIN - 0.25µm MAX GOLD IN CONTACT AREA, 2.00µm MIN TIN IN SOLDERTAIL AREA, BOTH OVER 1.25µm MIN NICKEL OVERALL



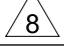
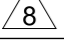
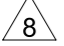
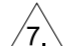

***6 - 0.38µm MIN GOLD IN CONTACT AREA, 2.00µm MIN TIN IN SOLDERTAIL AREA, BOTH OVER 1.25µm MIN NICKEL OVERALL

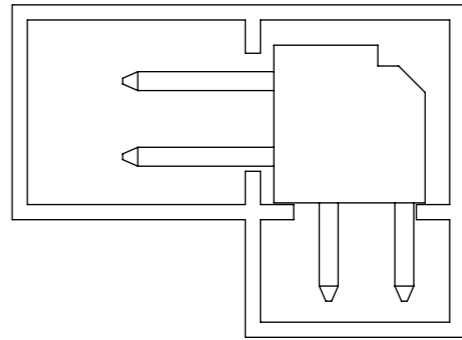
***7 - 0.76µm MIN GOLD IN CONTACT AREA, 2.00µm MIN TIN IN SOLDERTAIL AREA, BOTH OVER 1.25µm MIN NICKEL OVERALL

***8 - 2.54µm MIN TIN OVER 1.25µm MIN NICKEL OVERALL
 - 12 CKT USED FOR ILLUSTRATION ONLY
 - PART TO BE PACKED IN POCKET TRAY/TUBE (SEE TABLE).
 - PRODUCT SPEC PS-87761-100 APPLIES.
 - RECOMMENDED PCB BOARD THK 1.60±0.10 MM.
 - MATING LENGTH: 1 - 4.00MM
2 - 3.50MM
3 - 3.06MM
4 - 5.75MM
 - PART NUMBERS THAT ARE UNAVAILABLE IN THIS SD: 87760-0646, 87760-1046, 87760-1446, 87760-2446, 87760-4046. (REFER TO SD-87760-133 FOR THESE PART NUMBERS)

LEGEND:
8 7 7 6 0 - * * * *
PLATING OPTION (SEE NOTE 2) \triangle 2.
MATING OPTION \triangle 7.

THIS DRAWING CONTAINS INFORMATION THAT IS PROPRIETARY TO MOLEX ELECTRONIC TECHNOLOGIES, LLC AND SHOULD NOT BE USED WITHOUT WRITTEN PERMISSION											
DIMENSION UNITS		SCALE		CURRENT REV DESC: MIGRATED TO ECTR						molex	
mm		NTS									
GENERAL TOLERANCES (UNLESS SPECIFIED)				EC NO: 178255		DRWN: VLM		2018/01/24		MGRID, 2MM DUAL ROW HDR. R/A	
4 PLACES		±		CHK'D: CD		2018/08/02		PRODUCT CUSTOMER DRAWING			
3 PLACES		±		APPR: GGA		2018/08/03		DOCUMENT NUMBER		DOC TYPE DOC PART REVISION	
2 PLACES		± 0.2		INITIAL REVISION:		DRWN: KSEE		2003/10/15		SD-87760-109	
1 PLACE		±		APPR: SKTOH		2003/12/11		PSD		001 A17	
0 PLACES		±		ANGULAR TOL ± 3.0°		DRAFT WHERE APPLICABLE MUST REMAIN WITHIN DIMENSIONS		THIRD ANGLE PROJECTION		DRAWING SERIES MATERIAL NUMBER CUSTOMER SHEET NUMBER	
								A3-SIZE		87760 SEE TABLE GENERAL MARKET 1 OF 3	

PART NUMBER	VOID PIN LOCATION	CKT SIZE	A	B	M	T	PACKAGING TYPE
87760-04**	-	4	2.00	4.00			
87760-06** 	-	6	4.00	6.00			
87760-08**	-	8	6.00	8.00			
87760-10** 	-	10	8.00	10.00			
87760-12** 	-	12	10.00	12.00			
87760-14** 	-	14	12.00	14.00			
87760-16**	-	16	14.00	16.00			
87760-18**	-	18	16.00	18.00			
87760-20**	-	20	18.00	20.00			
87760-22**	-	22	20.00	22.00			
87760-24** 	-	24	22.00	24.00			
87760-26**	-	26	24.00	26.00			
87760-28**	-	28	26.00	28.00	REFER TO NOTE 	2.60	TRAY
87760-30**	-	30	28.00	30.00			
87760-32**	-	32	30.00	32.00			
87760-34**	-	34	32.00	34.00			
87760-36**	-	36	34.00	36.00			
87760-38**	-	38	36.00	38.00			
87760-40** 	-	40	38.00	40.00			
87760-42**	-	42	40.00	42.00			
87760-44**	-	44	42.00	44.00			
87760-46**	-	46	44.00	46.00			
87760-48**	-	48	46.00	48.00			
87760-50**	-	50	48.00	50.00			



PART IN TUBE

THIS DRAWING CONTAINS INFORMATION THAT IS PROPRIETARY TO MOLEX ELECTRONIC TECHNOLOGIES, LLC AND SHOULD NOT BE USED WITHOUT WRITTEN PERMISSION											
DIMENSION UNITS		SCALE		CURRENT REV DESC: MIGRATED TO ECTR				molex		MGRID, 2MM DUAL ROW HDR. R/A	
mm		NTS									
GENERAL TOLERANCES (UNLESS SPECIFIED)				EC NO: 178255		DRWN: VLM		2018/01/24		PRODUCT CUSTOMER DRAWING	
				CHK'D: CD		2018/08/02		APP: GGA			DOCUMENT NUMBER SD-87760-109
				INITIAL REVISION:		2003/10/15		2003/12/11			
4 PLACES ±				DRWN: KSEE		2003/10/15		2003/12/11		DOC PART	
3 PLACES ±				APP: SKTOH		2003/12/11		2003/12/11		REVISION	
2 PLACES ± 0.2				ANGULAR TOL ± 3.0°		DRAFT WHERE APPLICABLE MUST REMAIN WITHIN DIMENSIONS		THIRD ANGLE PROJECTION		DRAWING	
1 PLACE ±								SERIES		MATERIAL NUMBER	
0 PLACES ±								A3-SIZE		87760	
DOCUMENT STATUS				P1		RELEASE DATE		2018/08/03		04:05:33	
CUSTOMER		GENERAL MARKET		SHEET NUMBER		2 OF 3					

9 8 7 6 5 4 3 2 1

PART NUMBER	VOID PIN LOCATION	CKT SIZE	A	B	M	T	PACKAGING TYPE
87760-5116	5, 6 & 26	50	48.00	50.00	REFER TO NOTE 7.	2.60	TUBE
87760-531*	-	24	22.00	24.00		1.50	TRAY
87760-5216	-	04	2.00	4.00		2.60	TUBE
87760-5416	-	20	18.00	20.00			
87760-5248	-	28	26.00	28.00			
87760-5516	5, 6, 7, 8, 9, 10, 15, 16, 17, 18, 19, 20, 25, 26, 27, 28, 29, 30	34	32.00	34.00			

THIS DRAWING CONTAINS INFORMATION THAT IS PROPRIETARY TO MOLEX ELECTRONIC TECHNOLOGIES, LLC AND SHOULD NOT BE USED WITHOUT WRITTEN PERMISSION

DIMENSION UNITS		SCALE		CURRENT REV DESC: MIGRATED TO ECTR		molex	
mm		NTS					
GENERAL TOLERANCES (UNLESS SPECIFIED)				EC NO: 178255		MGRID, 2MM DUAL ROW HDR. R/A	
		MM	INCH	DRWN: VLM 2018/01/24			
4 PLACES	±			CHK'D: CD 2018/08/02		PRODUCT CUSTOMER DRAWING	
3 PLACES	±			APPR: GGA 2018/08/03			
2 PLACES	±	0.2		INITIAL REVISION:		DOCUMENT NUMBER	
1 PLACE	±			DRWN: KSEE 2003/10/15		SD-87760-109	
0 PLACES	±			APPR: SKTOH 2003/12/11		PSD 001 A17	
ANGULAR TOL		± 3.0°		DRAFT WHERE APPLICABLE MUST REMAIN WITHIN DIMENSIONS		THIRD ANGLE PROJECTION	
				DRAWING		SERIES	
				A3-SIZE		87760	
				MATERIAL NUMBER		CUSTOMER	
				SEE TABLE		GENERAL MARKET	
				SHEET NUMBER		3 OF 3	

9 8 7 6 5 4 3 2 1

FORMAT: Mef-Reg-Header-master-0-prod-A3
REVISION: 0
DATE: 2017/10/06