

## I/O module - IB ST ZF 24 DO16/3 - 2750646

Please be informed that the data shown in this PDF Document is generated from our Online Catalog. Please find the complete data in the user's documentation. Our General Terms of Use for Downloads are valid (<http://phoenixcontact.com/download>)



INTERBUS-ST digital output module, 16 outputs, 24 V DC, 500 mA, 3-wire connection method, IP20 protection, consisting of: Terminal part with spring-cage connection and module electronics

The illustration shows version IB ST 24 DO 16/3

### Product description

INTERBUS ST digital output modules

The digital INTERBUS output modules are designed for the connection of digital actuators, such as electromechanical valves, contactors or lamps. In addition to the standard IB ST 24 BDO modules, the range is rounded off by modules with extended functionality.

The scope of functions provided by the standard models covers the majority of applications. On top of this, several modules provide additional electronic functions, such as:

- Output channels in up to four electrically isolated groups
- Separate electronic short-circuit protection for each output channel
- Higher output current, which are needed in individual applications.

All the typical advantages of INTERBUS-ST handling, such as multi-wire connection methods and plug-in electronics are provided by both product lines.

### Product Features

- ✓ 16 digital outputs
- ✓ Connection of actuators in 3-wire technology
- ✓ Nominal current per output: 500 mA
- ✓ Total current of the terminal: 8 A
- ✓ Diagnostic and status indicators
- ✓ Spring-cage connection with direct plug-in technology with a release mechanism



### Key commercial data

Packing unit	1 pc
GTIN	 4 017918 132224
Weight per Piece (excluding packing)	722.5 GRM
Custom tariff number	85389091
Country of origin	Germany

# I/O module - IB ST ZF 24 DO16/3 - 2750646

## Technical data

### Dimensions

Width	118 mm
Height	117 mm
Depth	116 mm

### Ambient conditions

Ambient temperature (operation)	0 °C ... 55 °C
Ambient temperature (storage/transport)	-25 °C ... 70 °C
Permissible humidity (operation)	75 % (on average, 85% infrequently, non-condensing)
Permissible humidity (storage/transport)	75 % (on average, 85% infrequently, non-condensing)
Air pressure (operation)	86 kPa ... 108 kPa (1500 m above sea level)
Air pressure (storage/transport)	66 kPa ... 108 kPa (3500 m above sea level)
Degree of protection	IP20

### Interfaces

Fieldbus system	Lokalbus
Designation	ST local bus
Connection method	ST local bus connector
Transmission speed	500 kBit/s

### Digital outputs

Output name	Digital outputs
Connection method	Spring-cage connection
	3-conductor
Number of outputs	16
Protective circuit	Short-circuit protection Electronic
Maximum output current per channel	500 mA
Maximum output current per module / terminal block	8 A
Maximum output current per group	2 A
Nominal load, inductive	12 VA (1.2 H; 48 Ω)
Nominal load, lamp	12 W (per output)
Nominal load, ohmic	12 W (per output)

### Power supply for module electronics

Supply voltage	24 V DC
Supply voltage range	20 V DC ... 30 V DC (including ripple)
Ripple	3.6 V <sub>pp</sub> within the allowable voltage range
Current consumption	100 mA
Communications power U <sub>L</sub>	9 V DC
Current consumption	max. 100 mA

# I/O module - IB ST ZF 24 DO16/3 - 2750646

## Technical data

### General

Weight	760 g
Mounting type	DIN rail
Protection class	III, IEC 61140, EN 61140, VDE 0140-1
Test section	Module electronics/Channel groups 500 V AC 50 Hz 1 min
	Ground conductor/channel groups 500 V AC 50 Hz 1 min
	Between channel groups 500 V AC 50 Hz 1 min

## Classifications

### eCl@ss

eCl@ss 4.0	27250302
eCl@ss 4.1	27250302
eCl@ss 5.0	27250302
eCl@ss 5.1	27242604
eCl@ss 6.0	27242604
eCl@ss 7.0	27242604
eCl@ss 8.0	27242604

### ETIM

ETIM 2.0	EC001430
ETIM 3.0	EC001599
ETIM 4.0	EC001599
ETIM 5.0	EC001599

### UNSPSC

UNSPSC 6.01	43172015
UNSPSC 7.0901	43201404
UNSPSC 11	43172015
UNSPSC 12.01	43201404
UNSPSC 13.2	43201404

## Approvals

### Approvals

---

### Approvals

UL Recognized / cUL Recognized / GOST / cULus Recognized

---

# I/O module - IB ST ZF 24 DO16/3 - 2750646

## Approvals

Ex Approvals

---

Approvals submitted

---

## Approval details

UL Recognized

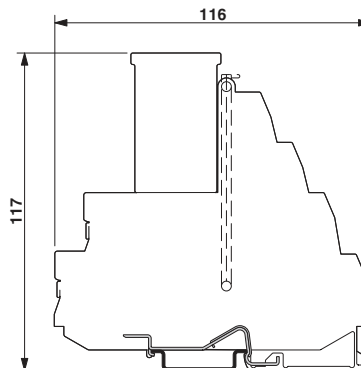
cUL Recognized

GOST

cULus Recognized

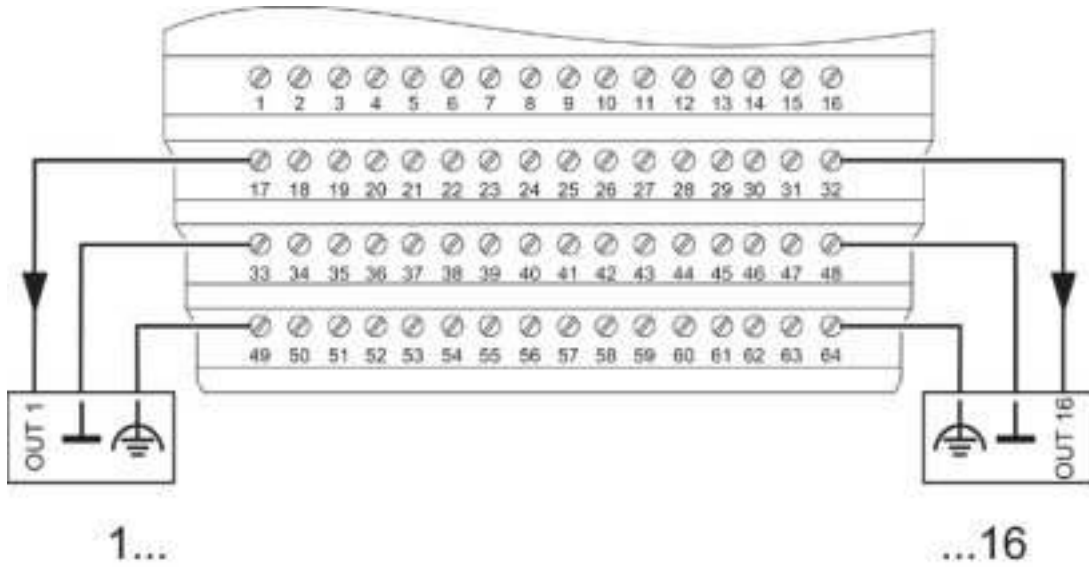
## Drawings

Dimensioned drawing



# I/O module - IB ST ZF 24 DO16/3 - 2750646

Connection diagram



# I/O module - IB ST ZF 24 DO16/3 - 2750646

Block diagram

