

- NOTES
- MATERIALS:
 - HOUSING AND BASEPLATE - HIGH TEMP LCP GLASS FILLED, UL 94V-0
COLOR: BLACK
 - EJECTORS - HIGH TEMP NYLON GLASS FILLED, UL 94V-0
COLOR: NATURAL (OFF WHITE)
 - TERMINALS AND FORKLOCK - COPPER ALLOY
 - FINISHES: CONTACT AREA: SEE TABLE
SOLDERTAIL: 2.54mm/100µMIN. TIN
UNDERPLATE: 1.27mm/50µ IN. NICKEL
 - PRODUCT SPECIFICATIONS: PS-87609-002 FOR PERFORMANCE SPECIFICATIONS.
 - DATE CODE SHALL BE MARKED LEGIBLY AS SHOWN: XX XX
YEAR WEEK
 - PART NUMBER SHALL BE MARKED LEGIBLY AS SHOWN: 87655-0XXX
REFER TO TABLE

OBS TIN/LEAD P/N
EC NO: S2006-0746
DRAWN: MLONG 2006/02/27
CHKD: IHO 2006/02/28
APPR: GLEE 2006/02/28

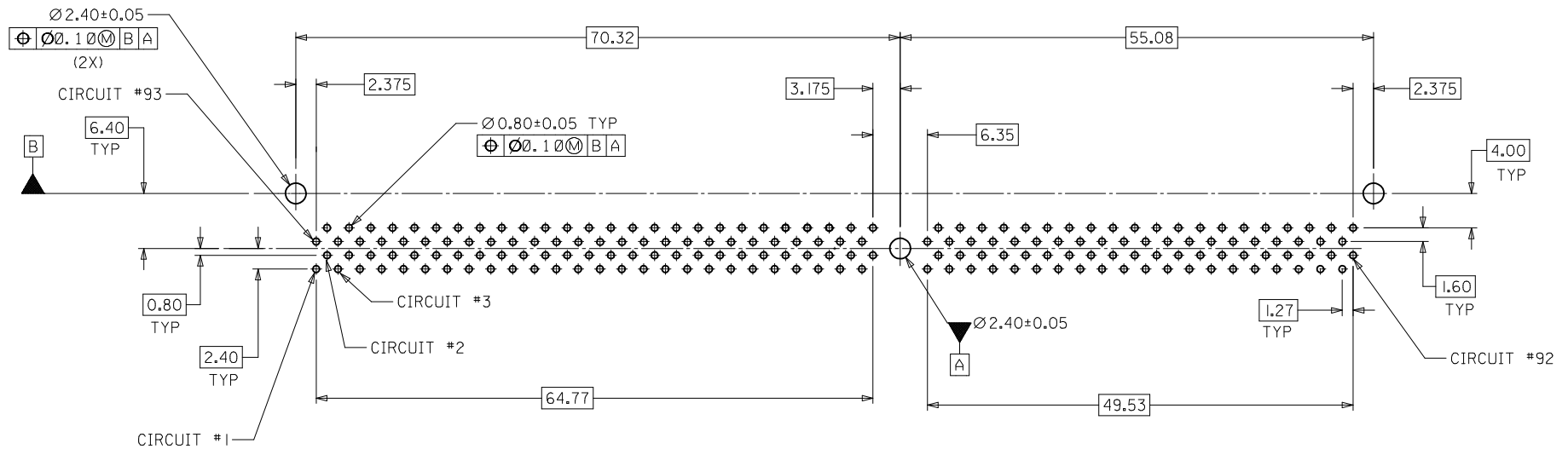
QUALITY SYMBOLS	DESCRIPTION
▽=0	
∇=0	

GENERAL TOLERANCES (UNLESS SPECIFIED)	
	mm INCH
4 PLACES	± --- ± ---
3 PLACES	± --- ± ---
2 PLACES	± 0.25 ± ---
1 PLACE	± --- ± ---
ANGULAR ± 5 °	
DRAFT WHERE APPLICABLE MUST REMAIN WITHIN DIMENSIONS	

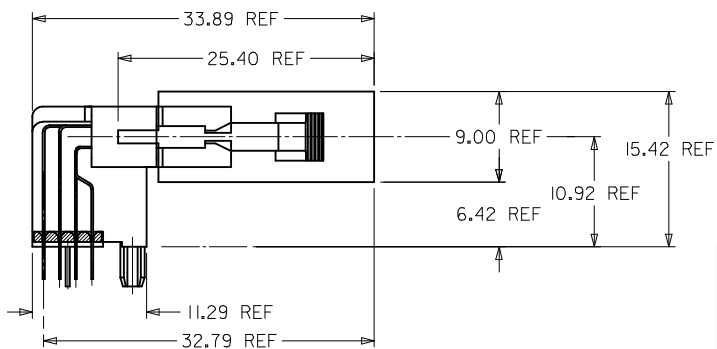
DIMENSION STYLE	
MM ONLY	
DRAWN BY	DATE
MLONG	2000/12/21
CHECKED BY	DATE
SQUEK	2000/12/29
APPROVED BY	DATE
SKTOH	2000/12/29
MATERIAL NO.	
SEE TABLE	
SIZE	
A3	

SCALE	DESIGN UNITS	THIRD ANGLE PROJECTION
NTS	METRIC	
TITLE		
DDR DIMM, 1.27MM PITCH 184 CKTS, R/A		
MOLEX MOLEX INCORPORATED		
MATERIAL NO.	DOCUMENT NO.	SHEET NO.
	SD-87655-001	1 OF 3
THIS DRAWING CONTAINS INFORMATION THAT IS PROPRIETARY TO MOLEX INCORPORATED AND SHOULD NOT BE USED WITHOUT WRITTEN PERMISSION		

CONTACT AREA	PART NUMBER	VOLTAGE KEY	TAIL LENGTH P±0.25	RECOMMENDED PCB THICKNESS
0.38µm/15µ" MIN. GOLD	87655-0004	LEFT (2.5V)	2.79	1.57
	87655-0005		3.18	
0.76µm/30µ" MIN. GOLD	87655-0007		2.79	

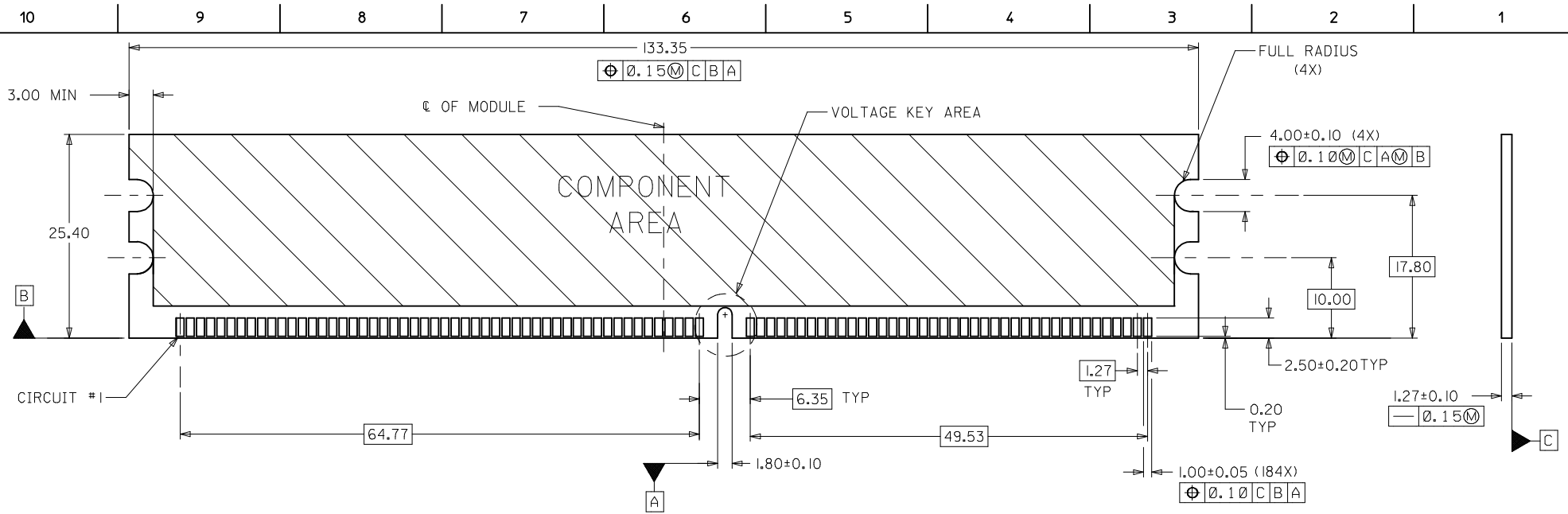


**RECOMMENDED
P.C. BOARD HOLE PATTERN
(CONNECTOR SIDE)**



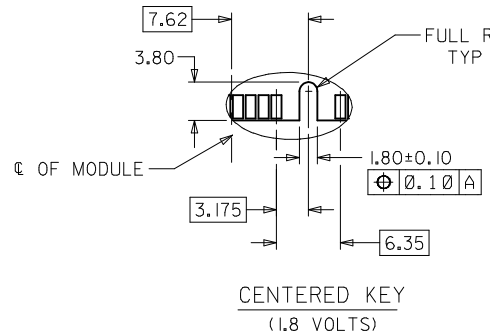
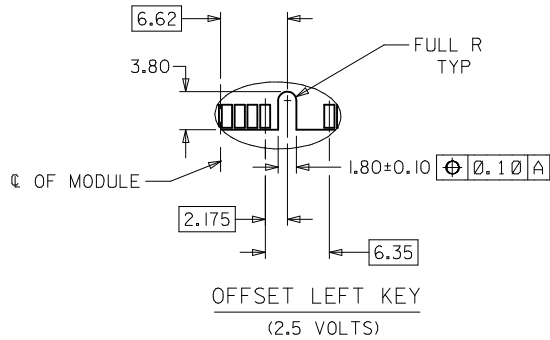
ACTUAL MODULE HEIGHT AND CLEARANCE WHEN USING A 9.00MM THICK BY 25.40MM HEIGHT MODULE (TYPICAL SOJ PACKAGING).

OBS TIN/LEAD P/N EC NO: S2006-0746 DRWN:MLONG CHKD:IHO APPR:GJLEE	QUALITY SYMBOLS ▽=0 ◻=0	GENERAL TOLERANCES (UNLESS SPECIFIED)		DIMENSION STYLE MM ONLY		SCALE NTS	DESIGN UNITS METRIC	THIRD ANGLE PROJECTION		
			mm	INCH	DRAWN BY MLONG	DATE 2000/12/21	TITLE DDR DIMM, 1.27MM PITCH 184 CKTS, R/A			
		4 PLACES	± ---	± ---	CHECKED BY SQUEK	DATE 2000/12/29	MOLEX INCORPORATED DOCUMENT NO. SD-87655-001 SHEET NO. 2 OF 3			
		3 PLACES	± ---	± ---	APPROVED BY SKTOH	DATE 2000/12/29				
2 PLACES	± 0.25	± ---	ANGULAR ± 5 °		MATERIAL NO. SEE TABLE		THIS DRAWING CONTAINS INFORMATION THAT IS PROPRIETARY TO MOLEX INCORPORATED AND SHOULD NOT BE USED WITHOUT WRITTEN PERMISSION			
1 PLACE	± ---	± ---	DRAFT WHERE APPLICABLE MUST REMAIN WITHIN DIMENSIONS		SIZE A3					



RECOMMENDED MODULE LAYOUT
 (PER JEDEC STANDARD MO-206, 184 CKT.)
 UNLESS OTHERWISE SPECIFIED, GENERAL TOLERANCE FOR MODULE = ±0.13

VOLTAGE KEY AREA OPTIONS



OBS TIN/LEAD P/N EC NO: S2006-0746 DRWN: MLONG CHKD: IHO APPR: GGLEE	2006/02/27 2006/02/28 2006/02/28	DESCRIPTION ▼=0 C=0	QUALITY SYMBOLS		GENERAL TOLERANCES (UNLESS SPECIFIED)		DIMENSION STYLE		SCALE	DESIGN UNITS	THIRD ANGLE PROJECTION		
							MM ONLY		N75	METRIC			
							mm	INCH	DRAWN BY		DATE	TITLE	
							4 PLACES	± ---	± ---	MLONG	2000/12/21	DDR DIMM, 1.27MM PITCH	
				3 PLACES	± ---	± ---	CHECKED BY	DATE	184 CKTS, R/A				
				2 PLACES	± 0.25	± ---	SQUEK	2000/12/29	MOLEX INCORPORATED				
				1 PLACE	± ---	± ---	APPROVED BY	DATE	MOLEX INCORPORATED				
				ANGULAR ± 5 °			SKTOH	2000/12/29	MOLEX INCORPORATED				
				DRAFT WHERE APPLICABLE MUST REMAIN WITHIN DIMENSIONS			MATERIAL NO.	DOCUMENT NO.	SHEET NO.				
							SEE TABLE	SD-87655-001	3 OF 3				
						SIZE	THIS DRAWING CONTAINS INFORMATION THAT IS PROPRIETARY TO MOLEX INCORPORATED AND SHOULD NOT BE USED WITHOUT WRITTEN PERMISSION						
						A3							