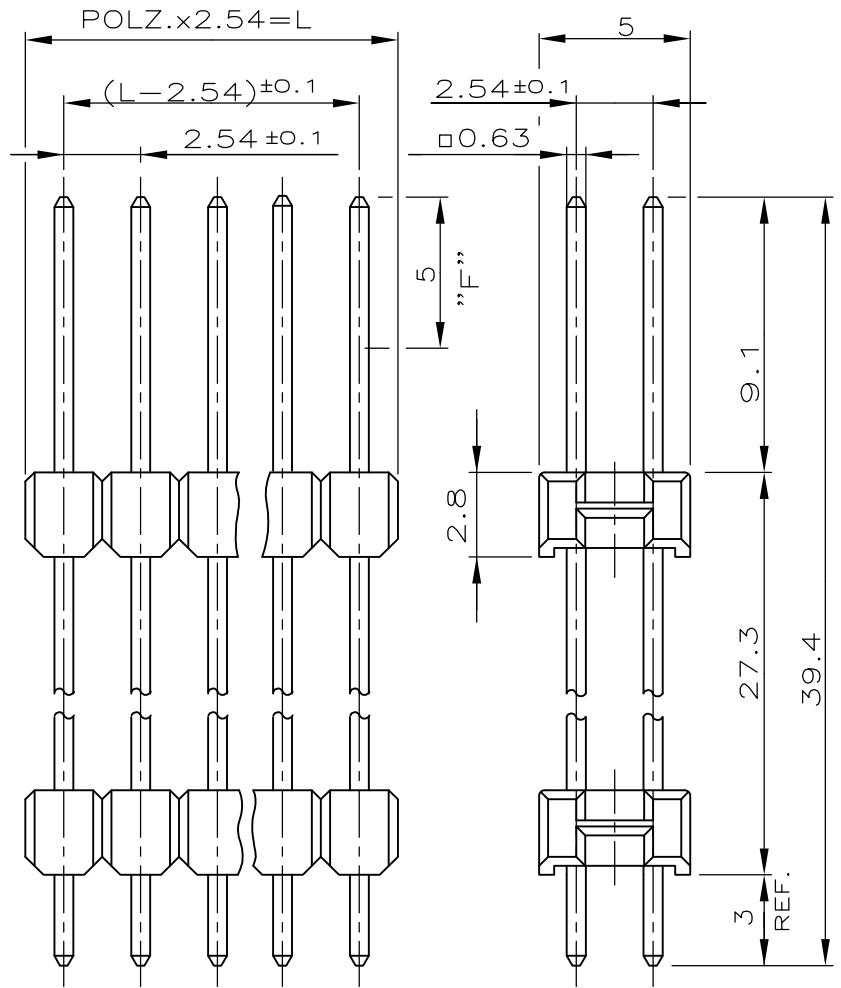


LOC	DIST	REVISIONS					
		P	LTR	DESCRIPTION	DATE	DWN	APVD
NUMMER	829822		01	S.P.C. MAB ENTFÄLLT	07.12.94	—	A.HO
VERWENDET FÜR	E91-52529		02	REVISED PER ECO-09-023929	15OCT09	—	AEG
WAR NR.	E91-52529		03	ECR-10-026307	13JAN11	KK	HMR

POLZ-PRO-REIHE	L±0.4	BESTELL-NR.
—	—	—
2	5.08	-2
3	7.62	3
4	10.16	-4
5	12.70	-5
6	15.24	-6
7	17.78	829 822 -7
8	20.32	-8
9	22.86	9
10	25.40	1-0
11	27.94	1-1
12	30.48	1-2
13	33.02	1-3
14	35.56	1-4
15	38.10	1-5
16	40.64	1-6
17	43.18	1-7
18	45.72	1-8
19	48.26	1-9
20	50.80	2-0
21	53.34	2-1
22	55.88	2-2
23	58.42	2-3
24	60.96	2-4
25	63.50	2-5
26	66.04	2-6
27	68.58	2-7
28	71.12	2-8
29	73.66	2-9
30	76.20	3-0
31	78.74	3-1
32	81.28	3-2
33	83.82	3-3
34	86.36	3-4
35	88.90	3-5
36	91.44	3-6
37	93.98	3-7
38	96.52	3-8
39	99.06	3-9
40	101.60	4-0
41	104.14	4-1
42	106.68	4-2
43	109.22	4-3
44	111.76	4-4
45	114.30	4-5
46	116.84	4-6
47	119.38	4-7
48	121.92	4-8
49	124.46	4-9
50	127.00	5-829 822 -0



- ① STECKSEITE: IM BEREICH "F" 0.8 µm GOLD ÜBER 1.27 µm NICKEL
LÖTSEITE: MIN. 2.5 µm ZINN ÜBER 1.27 µm NICKEL
- ② OBSOLETE PARTS: OBSOLETE CIS STREAMLINING PER D.RENAUD/D.SINISI
- ③ OBSOLETE

KONTAKT	Cu Sn	①
STIFTGEHÄUSE	PBTP GV	GRÜN
BENENNUNG	WERKSTOFF	OBERFLÄCHE
		FARBE

ZEICHNUNG GÜLTIG AB KW 50/94.

DIMENSIONS: mm	DWN	A.HO	12.03.91	MATERIAL	—	FINISH	—	
	CHK	M.SCHAARSCHMIDT	13.03.91					
TOLERANCES UNLESS OTHERWISE SPECIFIED: ±0.2 mm	APVD	—	—					
0 PLC ± -	PRODUCT SPEC	—	NAME	SPEZ. AMPMODU II STIFTLISTE ZWEIREIHIG				
1 PLC ± -	APPLICATION SPEC	—	SIZE	A4	CAGE CODE	00779	DRAWING NO	829822
2 PLC ± -	WEIGHT	—	RESTRICTED TO		—			
3 PLC ± -		CUSTOMER DRAWING	SCALE	4:1	SHEET	1 OF 1	REV	03
4 PLC ± -								
ANGLES ± *								

RELEASED FOR PUBLICATION

ALL RIGHTS RESERVED.

COPYRIGHT - By -

THIS DRAWING IS UNPUBLISHED.