

**SPECIFICATIONS:**

**MATERIALS:**

METALIZED PLASTIC:

MATERIAL:

ABS HIGH TEMP PLASTIC 94HB

METALIZED PLATING:

NICKEL OVER COPPER

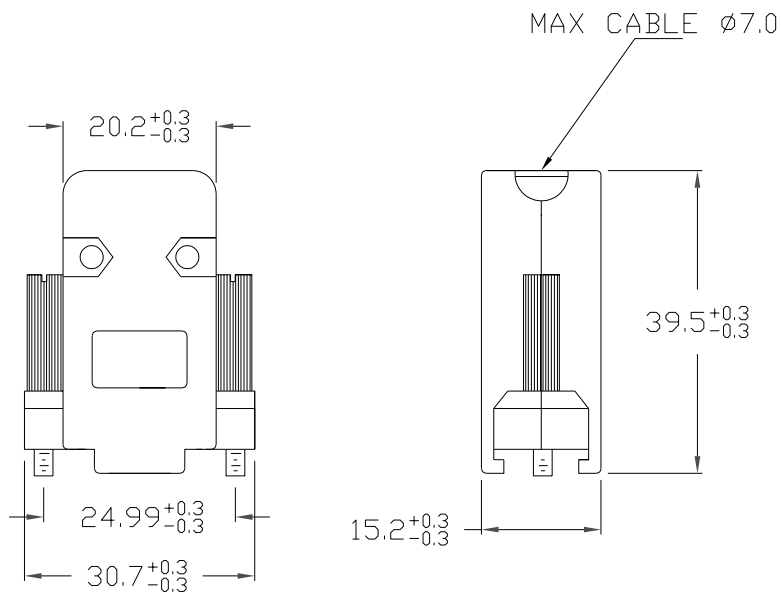
PLASTIC:

MATERIAL:

ABS HIGH TEMP PLASTIC 94HB

**BACKSHELL KIT INCLUDES:**

- (2) BACKSHELL HALVES
- (2) HOUSING SCREWS
- (2) HOUSING NUTS
- (2) #4-40 THUMBSCREWS
- (2) STRAIN RELIEF CLAMPS
- (2) STRAIN RELIEF SCREWS



**ASSEMBLY SCREW SIZE #4-40.  
RECOMMENDED TORQUE 4 IN-LBS. MAX**

**993-009-YYYRYY1**

SERIES \_\_\_\_\_

MATERIAL \_\_\_\_\_

010 = PLASTIC

020 = METALIZED PLASTIC

COLOR \_\_\_\_\_

03 = GREY (ONLY AVAILABLE WITH 010 - PLASTIC OPTION ABOVE)

12 = NICKEL OVER COPPER (ONLY AVAILABLE WITH 020 - METALIZED PLASTIC OPTION ABOVE)

**RoHS COMPLIANT**

UNITS = mm

**DO NOT SCALE FROM DRAWING**



THESE DRAWINGS AND SPECIFICATIONS ARE THE PROPERTY OF NorComp AND SHALL NOT BE REPRODUCED, COPIED OR USED AS THE BASIS FOR THE MANUFACTURE OR SALE OF APPARATUS WITHOUT WRITTEN PERMISSION.

DRAWN:  
**P. JENKINS**

DATE:  
**09/15/2005**

**NorComp**

SCALE:  
NTS

SHEET 1 OF 1

REV 5

DWG NO.

**993-009-YYYRYY1**