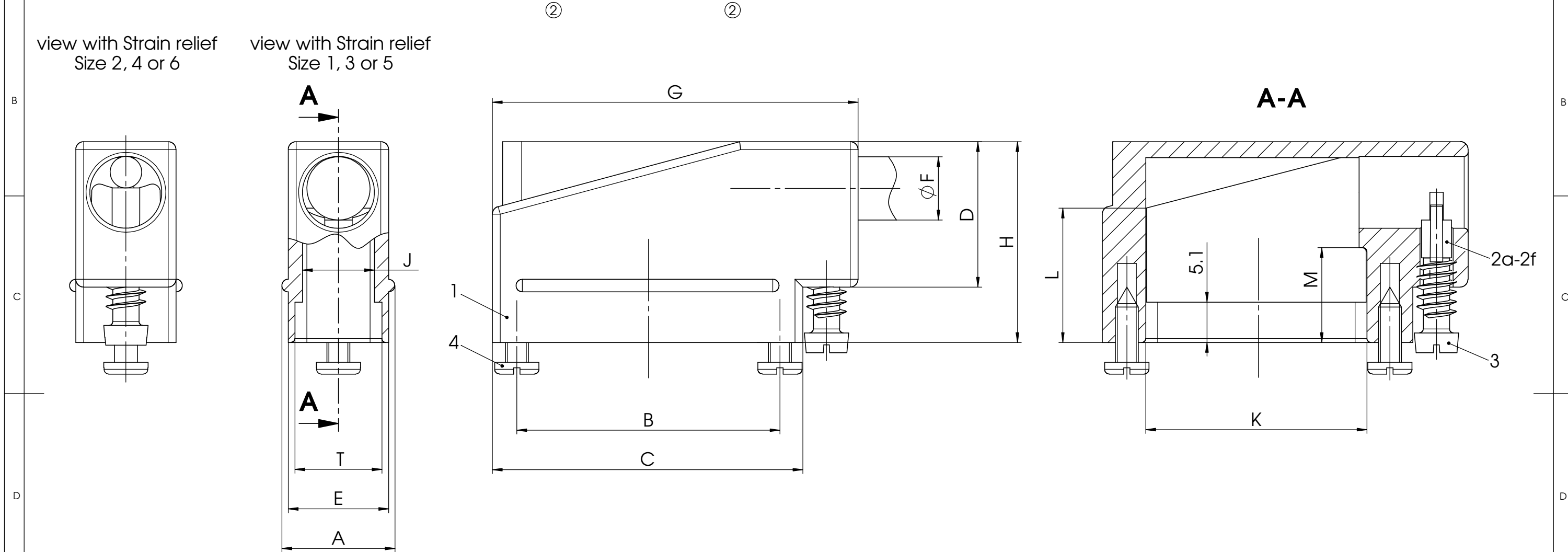
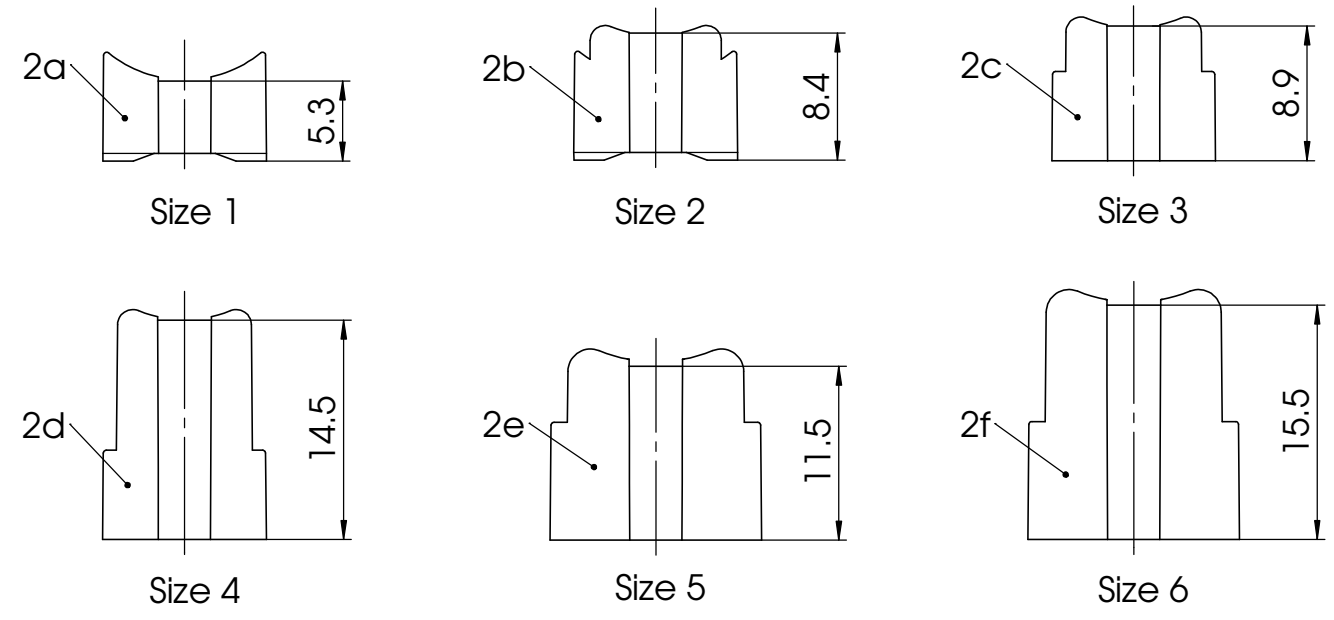


Order-No.	Shell Size / for No. of Contacts	2					3		4		5					6		7		8	
		A ±0.3	B ±0.1	C ±0.3	D ±0.3	E ±0.3	∅F1 min. - max.   Strain relief		∅F2 min. - max.   Strain relief		G ±0.3	H ±0.3	J ±0.3	K ±0.3	L ±0.3	M ±0.3	T ±0.3				
F-PHR-1	1 / 9	14.3	25	30.9	18.5	12.7	5 - 6.9	Size 1	3.5 - 5	Size 2	38	25.4	8.8	20.1	18.8	12	11				
F-PHR-2	2 / 15	14.3	33.3	39.3	18.3	12.7	5 - 9.1	Size 1	3.5 - 6	Size 2	46.3	25.4	8.8	28.1	17	12	11				
F-PHR-3	3 / 25	14.3	47	53.2	24.8	12.7	5 - 9.1	Size 3	4 - 7	Size 4	60.1	31.7	8.8	42.3	19.6	16	11				
F-PHR-4	4 / 37	14.3	63.5	69.7	30.5	12.7	5 - 9.1	Size 3	5 - 7	Size 4	76.4	38.1	8.8	58.8	21.7	17	11				
F-PHR-5	5 / 50	17	61.1	67.9	31.1	15.5	5 - 11.6	Size 5	3.5 - 7	Size 6	75.2	38.1	11.2	56.4	22.2	17.3	13.2				

∅F1 = Cable diameter for Strain relief Size 1, 3 or 5  
∅F2 = Cable diameter for Strain relief Size 2, 4 or 6



① max. torque are 40 Ncm  
Part-No. 2a to 2f, 3 and 4 not mounted



No.	St.	Part	Type	Description/Material	Surface plating/Colour/Class
4	2	Connector mounting screw	Steel		nickel plated
3	1	Screw	Steel		nickel plated
2f	1	Strain relief	Size 6 / Polyester		grey
2e	1	Strain relief	Size 5 / Polyester		grey
2d	1	Strain relief	Size 4 / Polyester		grey
2c	1	Strain relief	Size 3 / Polyester		grey
2b	1	Strain relief	Size 2 / Polyester		grey
2a	1	Strain relief	Size 1 / Polyester		grey
1	1	Hood	F-PHR-1-5 / Polyester		grey

	Measurement without tolerance acc. to ISO 2768-m	SCALE 2:1	TITLE <b>Plastic Hood</b>
	NAME / DATE Michael.Holze 28-07-2008	DWG.NO. <b>F-PHR-1-5</b>	
	DRAWN Michael.Holze 28-07-2008		
CHECKED cschoening 23-10-2009		REPLACEMENT FOR: F-PHR-1-5_SW	PAGES 1

COMMENT:  
ALL RIGHTS ARE RESERVED BY US FOR THIS DRAWING. WITHOUT OUR PRIOR CONSENT,  
IT MAY NEITHER BE DUPLICATED NOR MADE AVAILABLE TO A THIRD PARTY.  
AND IT ALSO MAY NOT BE IMPROPERLY USED BY THE RECEIVER, OR A THIRD PARTY.