

MATERIALS & SPECIFICATIONS

INSULATOR:

POLYPHENYLENE SULFIDE (PPS) PER MIL-M-24519, TYPE GST 40F.

CONTACT:

COPPER ALLOY PER MIL-DTL-83513, GOLD PLATED PER ASTM B488, (HARD GOLD) TYPE II CODE C CLASS 1.27.

TERMINATION:

26 AWG (7-34) TYPE E, PER NEMA HP3, COLOR CODED PER TABLE.

LATCH:

BERYLLIUM COPPER PER ASTM B194 NICKEL PLATE PER SAE-AMS-2404.

CURRENT CAPACITY:

3 AMP MAX.

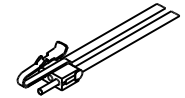
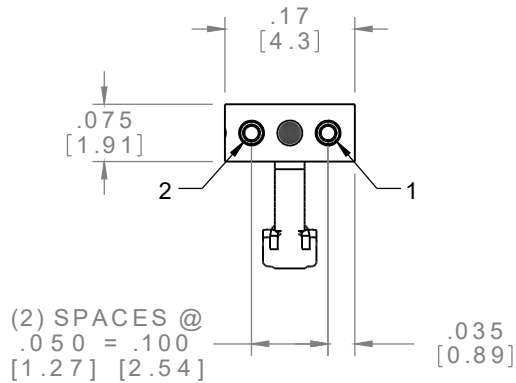
CONTACT RESISTANCE:

26 MILLIOHMS (65mV) MAX @ 2.5 AMPS.

PERFORMANCE:

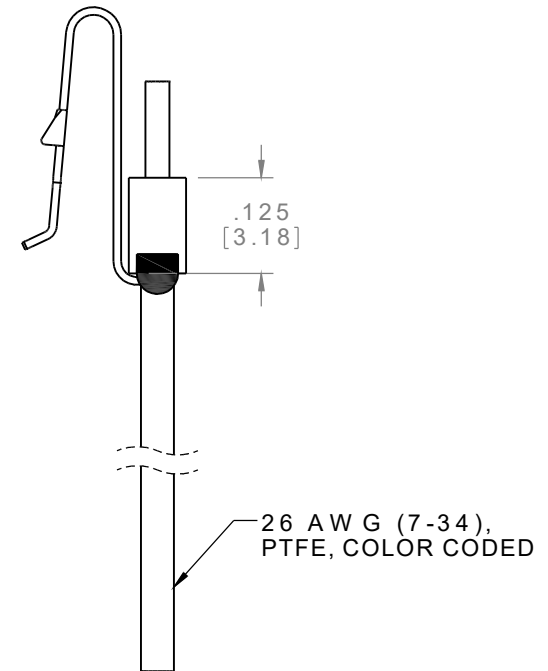
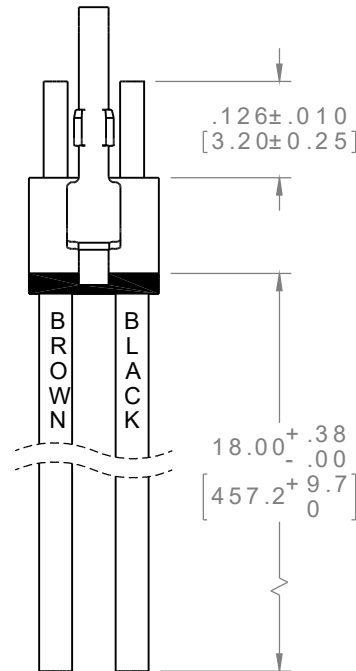
PRODUCT FAMILY TESTED TO AND PASSED THE PERFORMANCE SPECIFICATIONS OF TABLE VII OF MIL-DTL-83513.

SOCKET #	COLOR
1	BLACK
2	BROWN



ACTUAL SIZE EXCLUDING WIRE LENGTH

(2) SPACES @
.050 = .100
[1.27] [2.54]



NOTE:

DIMENSIONS IN [] ARE IN MILLIMETERS UNLESS OTHERWISE NOTED AND ARE FOR REFERENCE ONLY

SSB SLDW	THIRD ANGLE
	-TOLERANCES- UNLESS OTHERWISE NOTED DIMENSIONS IN INCHES

THIS DRAWING CONTAINS CONFIDENTIAL AND PROPRIETARY INFORMATION WHICH IS THE PROPERTY OF OMNETICS CONNECTOR CORP. THIS DOCUMENT MAY NOT, IN WHOLE OR IN PART, BE DUPLICATED, OR DISCLOSED FOR ANY PURPOSE, WITHOUT WRITTEN PERMISSION FROM OMNETICS CONNECTOR CORP.	
DFTM. PER	DATE 08-28-02
CHK'D.	DATE
APP'D.	DATE
TITLE: (2) SOCKET FEMALE SINGLE ROW CONNECTOR W/ LATCH	

OMNETICS
CONNECTOR CORPORATION
7260 COMMERCE CIRCLE EAST
MINNEAPOLIS, MN 55432
WWW.OMNETICS.COM

CAGE CODE 61873	
DWG NO. A25000-002	
SHEET 1 OF 1	REV E
SCALE: 4:1	