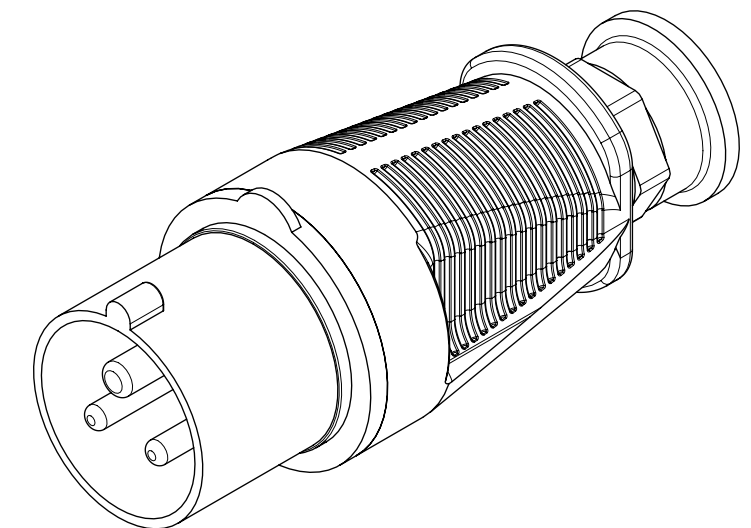
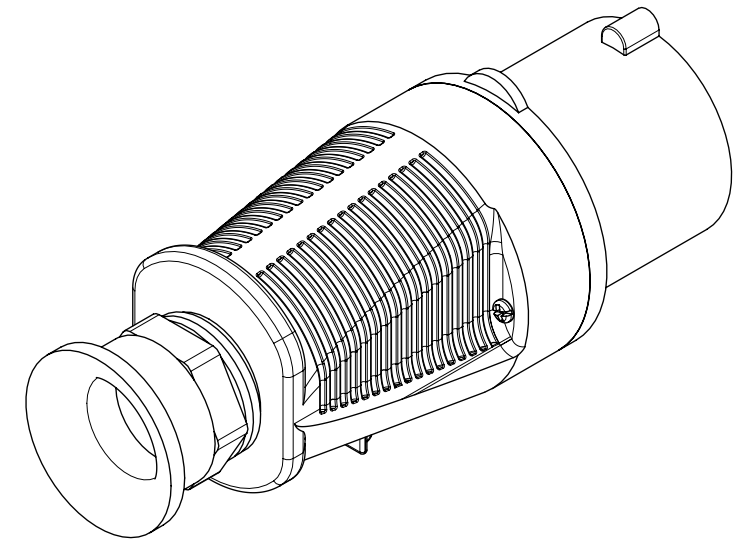
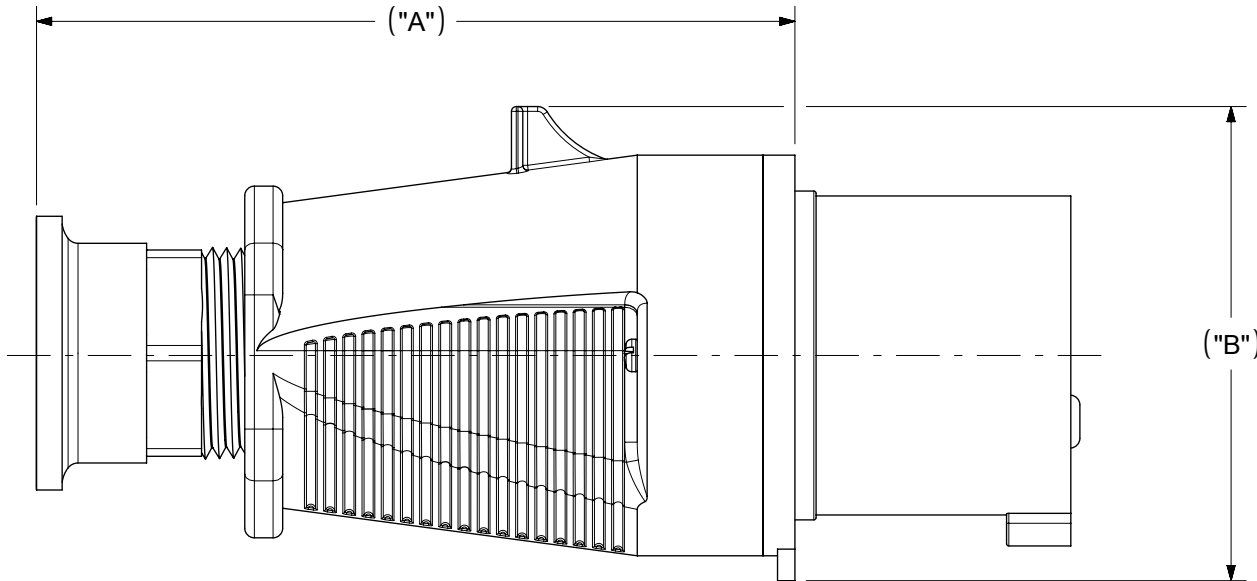


AMPS	TYPE	DIMENSIONS:		CORD GRIP RANGE:
		("A")	("B")	
20	3 WIRE	4.84 [123.0]	2.36 [60.0]	.275 [7.0] - .530 [13.5]
20	4 WIRE	5.16 [131.0]	2.68 [68.0]	.395 [10.0] - .825 [21.0]
20	5 WIRE	5.16 [131.0]	2.95 [75.0]	.395 [10.0] - .825 [21.0]
30	4 WIRE	6.10 [155.0]	3.11 [79.0]	.650 [16.5] - 1.10 [28.0]
60	4 WIRE	9.45 [240.0]	3.82 [97.0]	.650 [16.5] - 1.50 [38.0]



NOTES:

1. THE BELOW SAFEWAY PIN AND SLEEVE PLUG ARE SUPPLIED WITH A CABLE GLAND, AND ARE RATED IP44.

POLE/WIRE	AMPS	VOLTAGE	MATERIAL No.	ENGINEERING No.	COLOR
2-Pole/3-Wire		125	1301500049	320P4	Yellow
		250	1301500052	320P6	Blue
		277	1301500051	320P5	Gray
3-Pole/4-Wire	20	125/250	1301500135	420P12	Orange
		3ø250	1301500141	420P9	Blue
		3ø480	1301500139	420P7	Red
		3ø600	1301500137	420P5	Black
4-Pole/5-Wire		3øY 120/208	1301500240	520P9	Blue
		3øY 277/480	1301500238	520P7	Red
3-Pole/4-Wire	30	3ø480	1301500170	430P7	Red
3-Pole/4-Wire	60	125/250	1301500198	460P12	Orange
		3ø250	1301500204	460P9	Blue
		3ø480	1301500202	460P7	Red
		3ø600	1301500200	460P5	Black

THIS DRAWING CONTAINS INFORMATION THAT IS PROPRIETARY TO MOLEX ELECTRONIC TECHNOLOGIES, LLC AND SHOULD NOT BE USED WITHOUT WRITTEN PERMISSION										
FUNCTIONAL SYMBOLS	DIMENSION UNITS	SCALE	CURRENT REV DESC: NEW SALES DRAWING CREATED							
$\nabla/\nabla = 0$	INCH/MM	NTS	<p>molex</p> <p>SPLASHPROOF SAFEWAY IEC309 PIN & SLEEVE PLUG 20, 30, & 60 AMP & 3, 4, & 5 WIRE</p> <p>PRODUCT CUSTOMER DRAWING</p> <p>DOCUMENT NUMBER: 1301500049 DOC TYPE: PSD DOC PART: 000 REVISION: A</p>							
$\nabla/\nabla = 0$	GENERAL TOLERANCES (UNLESS SPECIFIED)									
$\nabla/\nabla = 0$	ANGULAR TOL ± °									
DIVISIONAL SYMBOLS	4 PLACES ±									
	3 PLACES ±	EC NO: 661118		DRWN: DSOPPIN		2021/03/18				
	2 PLACES ±	CHK'D: VOU		2021/05/04						
	1 PLACE ±	APPR: HKNEELAND		2021/05/05						
	0 PLACES ±	INITIAL REVISION:		DRWN: DSOPPIN		2021/03/18				
	DRAFT WHERE APPLICABLE MUST REMAIN WITHIN DIMENSIONS		THIRD ANGLE PROJECTION		DRAWING		SERIES		MATERIAL NUMBER	
					B-SIZE		130150		SEE TABLE	
							GENERAL MARKET		1 OF 1	