

Battery Clamp for CF8 Fuse Rated 58V

RoHS



Specifications

Material: Brass G-Cu Zn 33 Pb
Starting torque: 10 Nm at batterypole, 12 Nm Compact Fuse
Packaging:

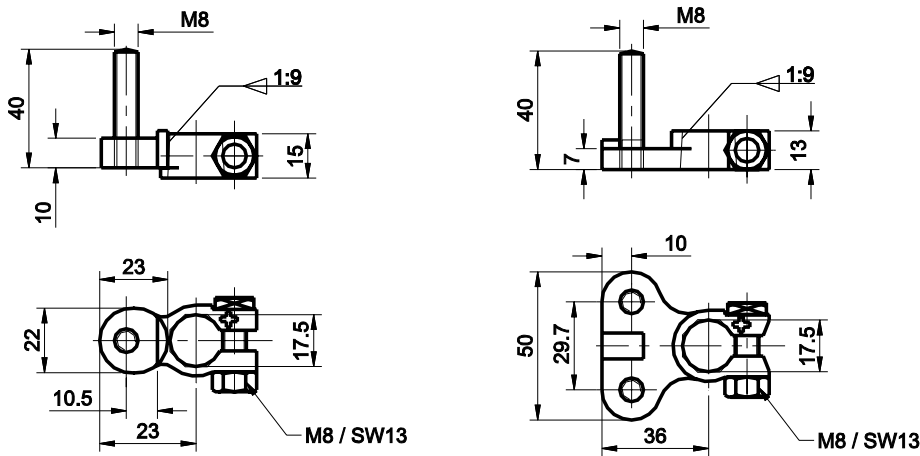
| Series Serien | Pack Size |
|------------------|--------------|
| 255.1000.0001 | 100 |
| 255.2000.0001 | 50 |

Battery clamp for CF8 Fuse links. Both battery clamps have an integrated twisted protection for the CF8-fuse link.

Batterieklemme für CF8-Sicherungen. Beide Batterieklemmer haben einen integrierten Verdrehschutz für die CF8-Sicherungen.

Fuse Holders
High Current

Dimensions in mm / Maße in mm



| Part Number Artikel-Nr. | Description Beschreibung | Fuse Rating Nennstrom |
|----------------------------|-----------------------------|-----------------------------------|
| 255.1000.000_ | Battery clamp 1 pole | max. 250 A (23+ ⁻⁵ °C) |
| 255.2000.000_ | Battery clamp 2 pole | max. 250 A (23+ ⁻⁵ °C) |

CF8-fuses links only in conjunction with Insulating nuts 255.0808.0001, 255.0899.4001 or 255.0899.5001.

Corresponding CF8-fuse links see Section "Bolt-down Fuses." If the ring terminal makes contact with the terminal fuse stud, the fuse is bypassed and is not protecting the circuit. Insert CF8-Fuse links only in conjunction with the insulating nut see next page.