

7580-A***

7580-B***

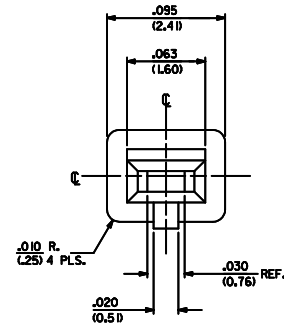
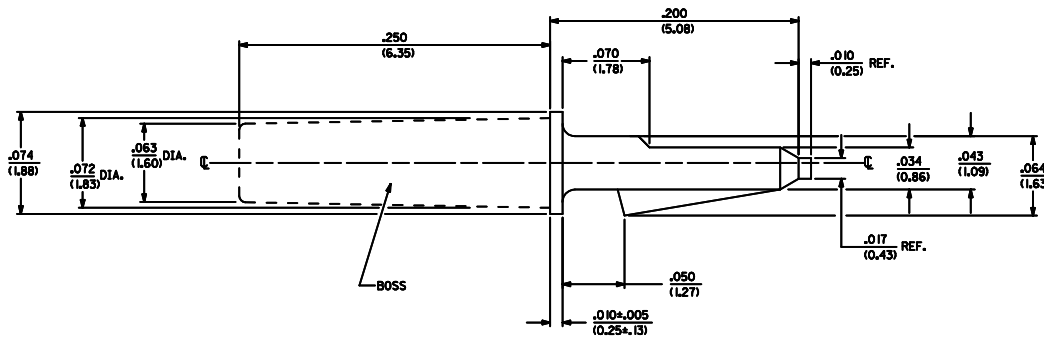
89-00-3001	7580-A IL	NOT TOOLED	7580-B IB
89-00-3002	7580-A2L	I5-04-9224	7580-B IB-BU
NOT TOOLED	7580-A2A	I5-04-0288	7580-B IC
		I5-04-9222	7580-B IC-BU

7580-***

VERSION: _____ COLOR: _____
 BLANK=NATURAL
 BU=BLUE

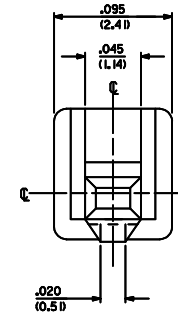
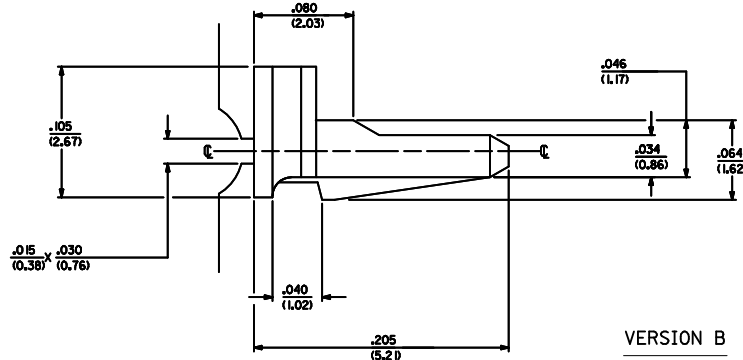
BOSS OPTIONS: _____ FORM OF SHIPMENT: _____
 1-WITHOUT BOSS A=RUNNER TYPE 1
 2-WITH BOSS B=RUNNER TYPE 2
 C=RUNNER TYPE 3
 L=LOOSE

NOTES:
 1. MATERIAL: NYLON, TYPE 6/6, UL94V-2. COLOR: SEE LEGEND
 2. FINISH: N/A
 3. THIS PART CONFORMS TO CLASS B REQUIREMENTS OF COSMETIC SPECIFICATION PS-45499-002.



VERSION A

USES RUNNER TYPE 1 ONLY AND AVAILABLE WITH OR WITHOUT BOSS (FITS CONNECTOR HOUSING 6442)



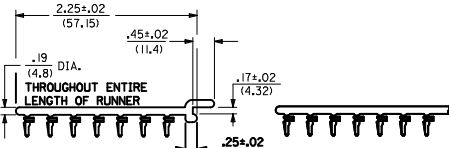
VERSION B

USES RUNNER TYPES 2 & 3 ONLY AND HAS NO BOSS (USED WITH CONNECTORS: 7793, 7935)

CHAIN FORM



TYPE 1 (10 TOTAL)



TYPE 2 (7 TOTAL)

TYPE 3 (7 TOTAL)

PARTS MUST BE ORIENTED ON RUNNER AS SHOWN ABOVE

REMOVE TYPE 4 IEC NO. UCP2012-3918 DRAWN BY: DRW/MSTROH 2012/05/31 CHECKED BY: CHY/KK/PPER 2012/06/01 APPROVED BY: APPR/FS/MTH 2012/06/07 REV: N1	QUALITY SYMBOLS	GENERAL TOLERANCES (UNLESS SPECIFIED)	DIMENSION STYLE	SCALE	DESIGN UNITS	THIRD ANGLE PROJECTION
	▽=0	mm INCH	IN/MM	20:1	INCH	☉
	▽=0	4 PLACES ± --- ± ---	DRAWN BY: COMSTOCK DATE: 1989/03/01			TITLE: POLARIZING KEY, PEG .156 SPACING FOR 6442, 7793, 7935
	▽=0	3 PLACES ± --- ± .010	CHECKED BY: EDGELY DATE: 1989/03/01			molex
		2 PLACES ± 0.25 ± .014	APPROVED BY: _____ DATE: _____			DOCUMENT NO. SD-7580-*
		1 PLACE ± 0.36 ± ---				SHEET NO. 1 OF 1
		0 PLACE ± ±				
		ANGULAR ±1/2°	MATERIAL NO. SEE CHART			
		DRAFT WHERE APPLICABLE MUST REMAIN WITHIN DIMENSIONS	SIZE D			