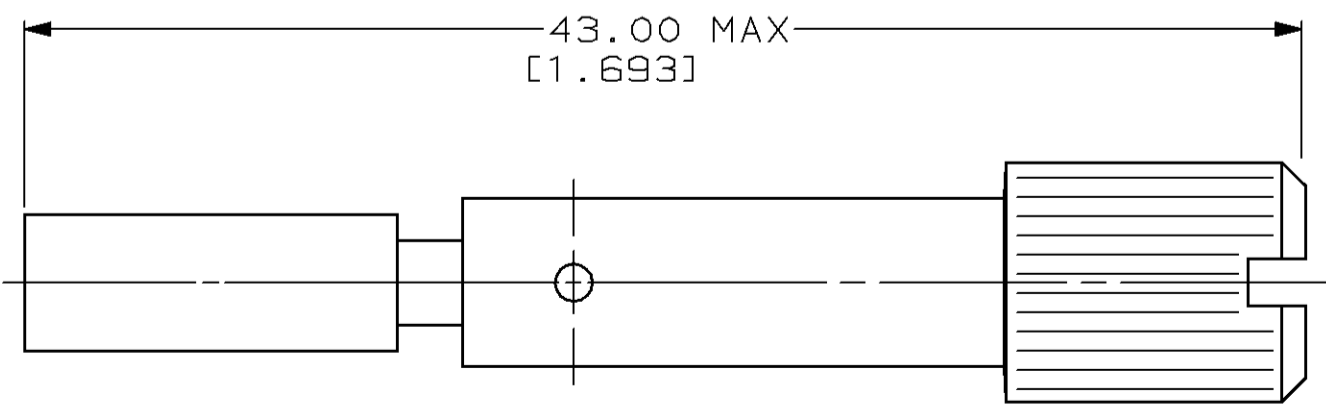
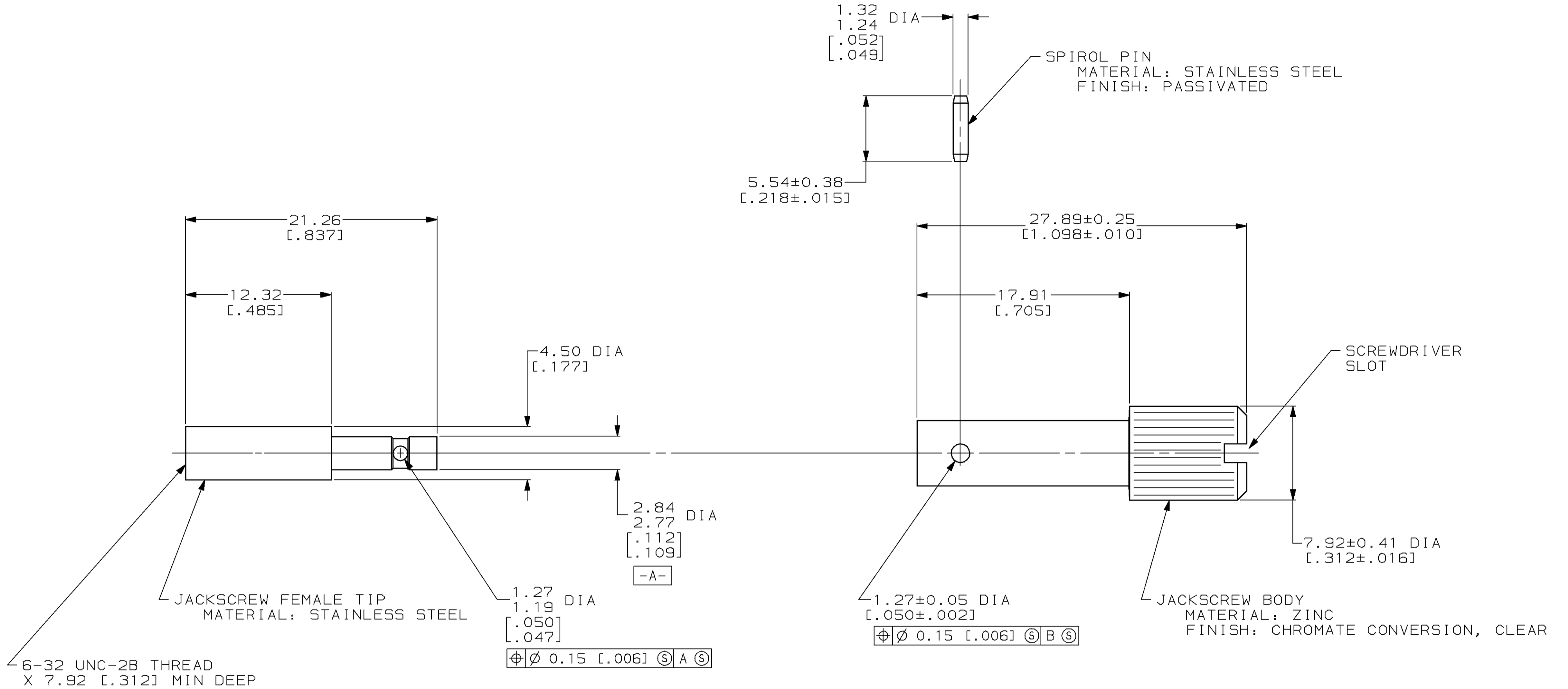


THIS DRAWING IS UNPUBLISHED. RELEASED FOR PUBLICATION  
 BY AMP INCORPORATED. ALL RIGHTS RESERVED.

LOC		DIST		REVISIONS			
P	LTR	DESCRIPTION	DATE	DWN	APVD		
BD	36						
		K	REDRAWN PER EC 0020-1346-95	14 DEC 95	-	-	-



ASSEMBLED VIEW

201088-1  
PART NUMBER

THIS DRAWING IS A CONTROLLED DOCUMENT FOR AMP INCORPORATED. IT IS SUBJECT TO CHANGE AND THE CONTROLLING ENGINEERING ORGANIZATION SHOULD BE CONTACTED FOR THE LATEST REVISION.		DWN C. DORWART 14 DEC 95	AMP Incorporated Harrisburg, PA 17105-3608
		CHK R. STONE 29 FEB 96	
		APVD G. STEINHAUER 07 MAR 96	NAME FEMALE JACKSCREW KIT, UNASSEMBLED, SHORY, M SERIES
DIMENSIONS: mm		PRODUCT SPEC -	SIZE A2
TOLERANCES UNLESS OTHERWISE SPECIFIED: 0 PLC ±- 1 PLC ±- 2 PLC ±0.13 [.005] 3 PLC ±- 4 PLC ±- ANGLES ±- FINISH -		APPLICATION SPEC -	CAGE CODE 00779
MATERIAL -		WEIGHT -	DRAWING NO C=201088
		CUSTOMER DRAWING	SCALE 4:1
			SHEET 1 OF 1
			REV K