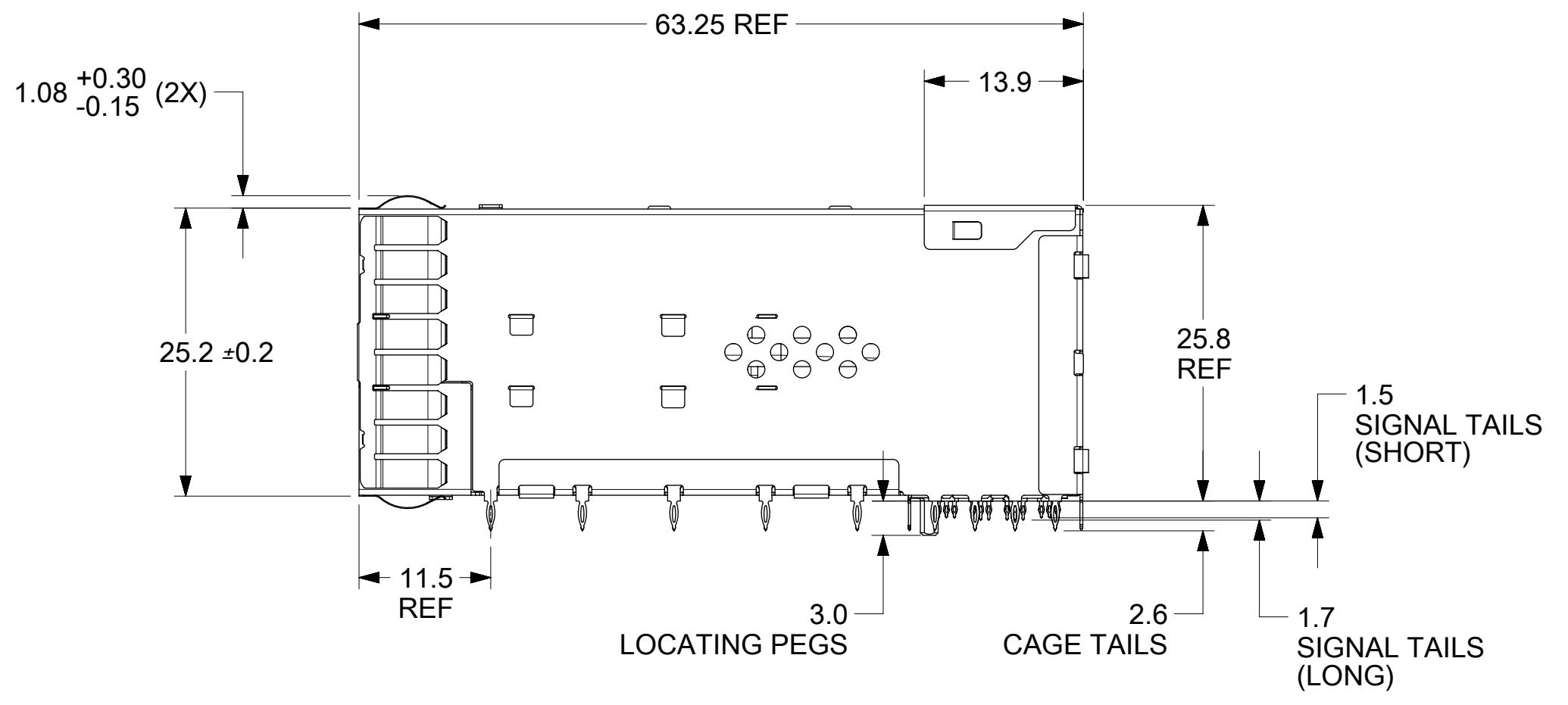


- NOTES:
- MATERIAL:
 - CAGE: NICKEL SILVER
 - CONNECTOR HOUSING: GLASS FILLED THERMOPLASTIC, UL: 94V-0, COLOR: BLACK
 - LIGHT PIPES: POLYCARBONATE, 94 HB, COLOR: CLEAR
 - TERMINALS: HIGH PERFORMANCE COPPER ALLOY
 - FRONT SHIELD WALL: COPPER ALLOY
 - LIGHT PIPE HOUSING: ZINC ALLOY
 - FINISH
 - TERMINALS: CONTACT AREA: 0.76 μm MIN. HARD GOLD OVER
3.8 μm MIN. NICKEL.
 - COMPLIANT TAIL: 0.7-1.5 μm MATTE TIN OVER:
0.7-1.5 μm NICKEL
 - FRONT SHIELD WALL: 0.7-1.5 μm NICKEL OVERALL
 - LIGHT PIPE HOUSING: 2.0 μm NICKEL OVER 0.7 μm COPPER
 - 2X4 CONFIGURATION SHOWN FOR REFERENCE, SEE CHART FOR AVAILABLE OPTIONS
 - REFER TO PS-170071-0001 FOR ALL ELECTRICAL, MECHANICAL AND ENVIRONMENTAL SPECIFICATIONS.
 - REFER TO AS-170071-0001 FOR CONNECTOR MOUNTING AND REWORK INFORMATION.
 - REFER TO AS-170071-0002 FOR PCB ROUTING RECOMMENDATIONS.
 - ALL VISIBLE EXTERIOR SURFACES TO BE CLASS "B" (BOTTOM OF CONNECTOR IS CLASS "C") CAGE SURFACES TO CONFORM TO THE MOLEX COSMETIC DOC PS-45499-002.
 - DATE CODE FORMAT: YYDDDX.
YY-LAST TWO DIGITS OF YEAR.
DDD-DAY OF THE YEAR.
X-MOLEX INTERNAL CONTROL.

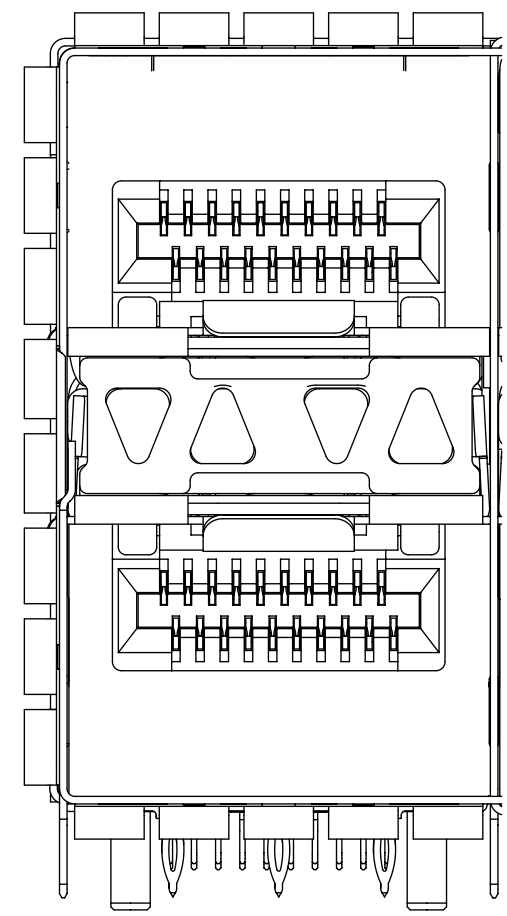
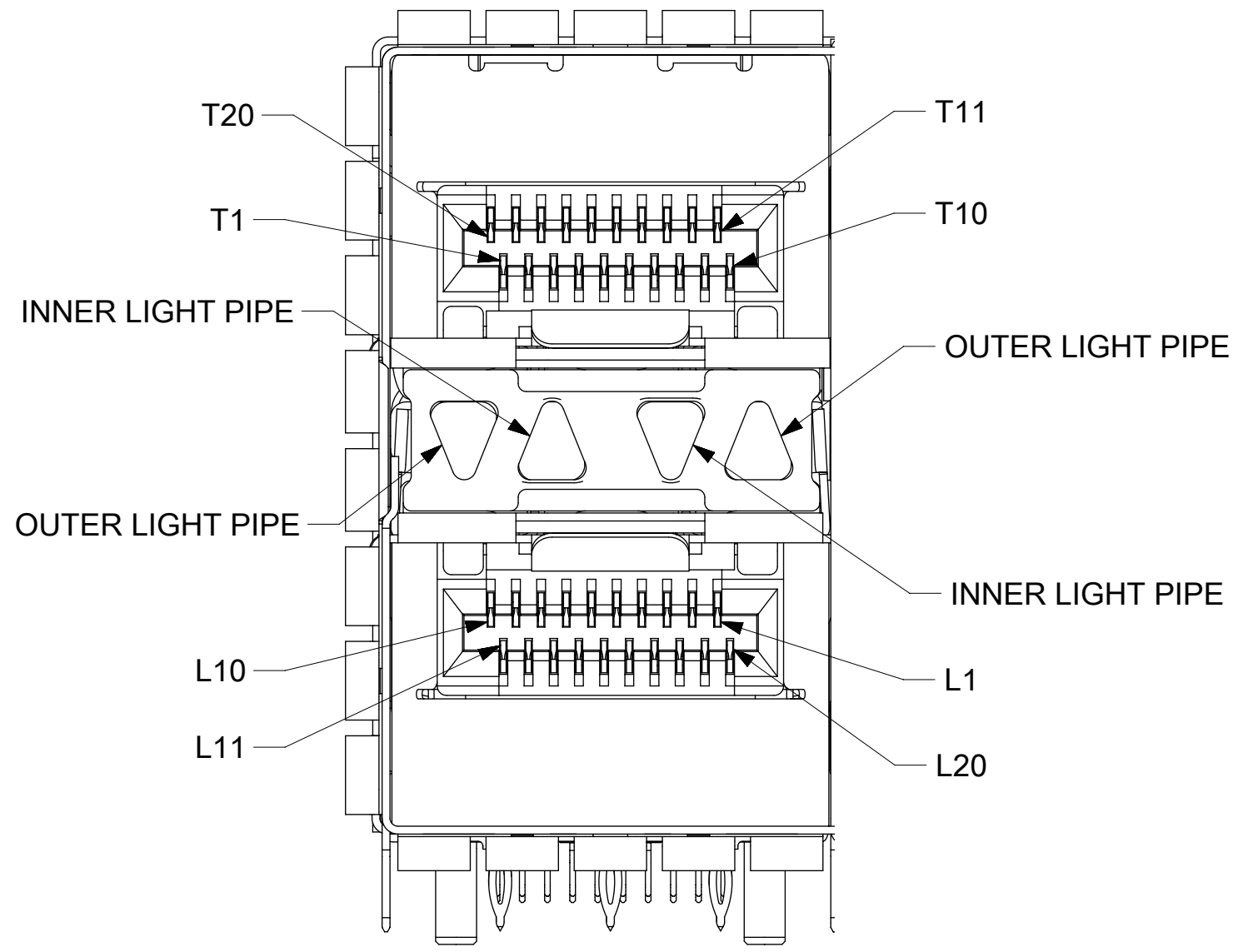


PORT SIZE	PART NUMBER	DIM X	DIM Y
2X1	17122413**	14.75	15.10
2X2	17122423**	29.00	29.35
2X4	17122443**	57.50	57.85
2X6	17122463**	86.00	86.35
2X8	17122483**	114.50	114.85
2X10	17122414**	143.00	143.35
2X12	17122415**	171.50	171.85

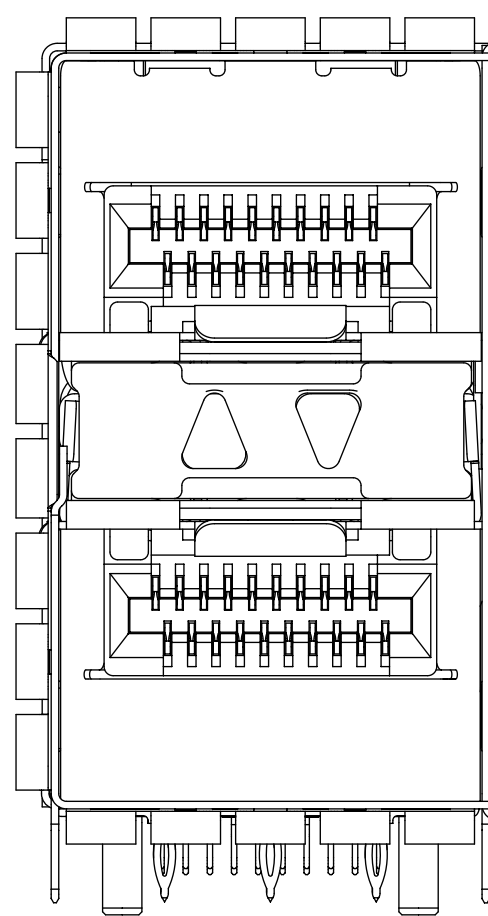
**-DESIGNATES LIGHT PIPE CONFIGURATIONS, SEE SHEET 2

THIS DRAWING CONTAINS INFORMATION THAT IS PROPRIETARY TO MOLEX ELECTRONIC TECHNOLOGIES, LLC AND SHOULD NOT BE USED WITHOUT WRITTEN PERMISSION

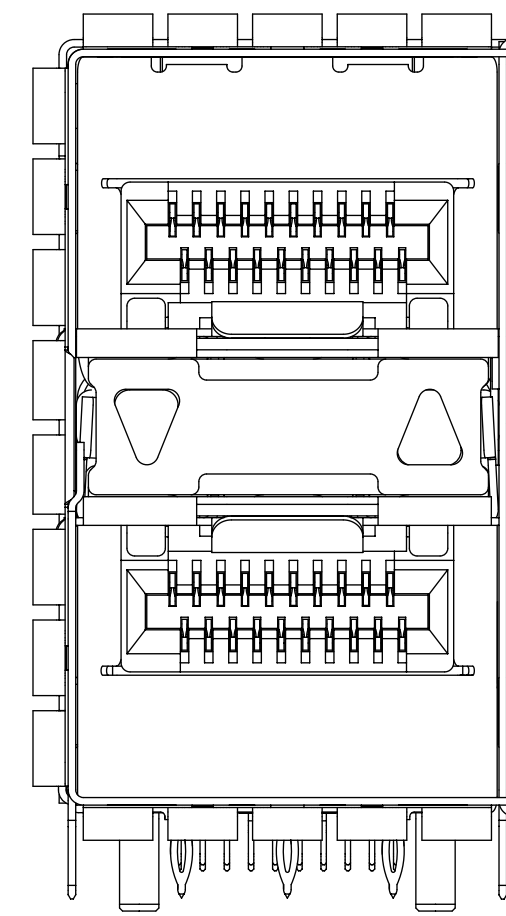
DIMENSION UNITS: MM	SCALE: 2:1	CURRENT REV DESC: SEE REVISION HISTORY						
GENERAL TOLERANCES (UNLESS SPECIFIED)		EC NO: 624150						ZSFP+ STACKED ASSY WITH ARC SPRING FINGER WITH LIGHT PIPE
ANGULAR TOL ± 0.5°		4 PLACES ±	DRWN: CWANG67	2019/09/12	PRODUCT CUSTOMER DRAWING			
		3 PLACES ±	CHK'D: CWANG67	2019/09/17	DOCUMENT NUMBER			
		2 PLACES ± 0.13	APPR: RNELSON	2019/09/26	SD-171224-0300			
		1 PLACE ± 0.25	INITIAL REVISION:		DOC TYPE	DOC PART	REVISION	
		0 PLACES ±	DRWN: SHONG	2017/04/09	PSD	001	A1	
			APPR: SHONG	2017/07/28	SHEET NUMBER			
DRAFT WHERE APPLICABLE MUST REMAIN WITHIN DIMENSIONS		THIRD ANGLE PROJECTION	DRAWING: C-SIZE	SERIES: 171224	MATERIAL NUMBER: SEE CHART	CUSTOMER: GENERAL MARKET	SHEET NUMBER: 1 OF 5	



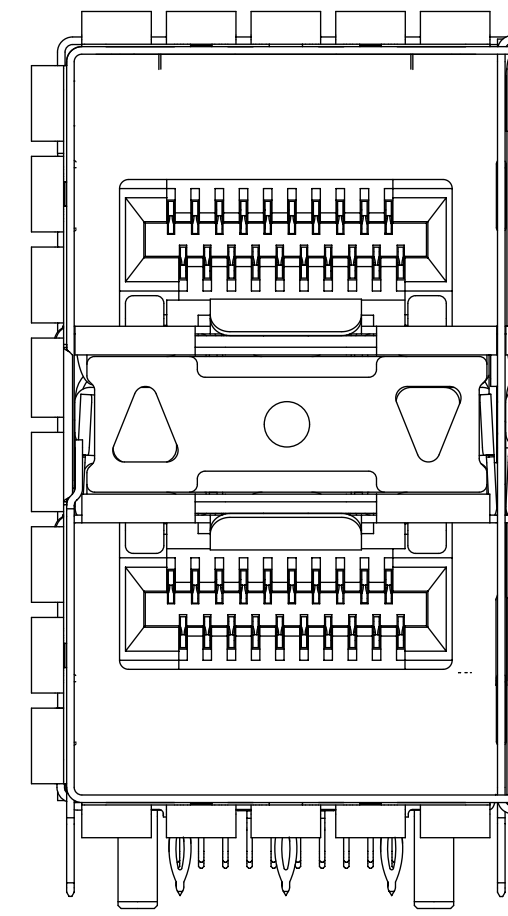
4 LIGHT PIPE
171224-**11



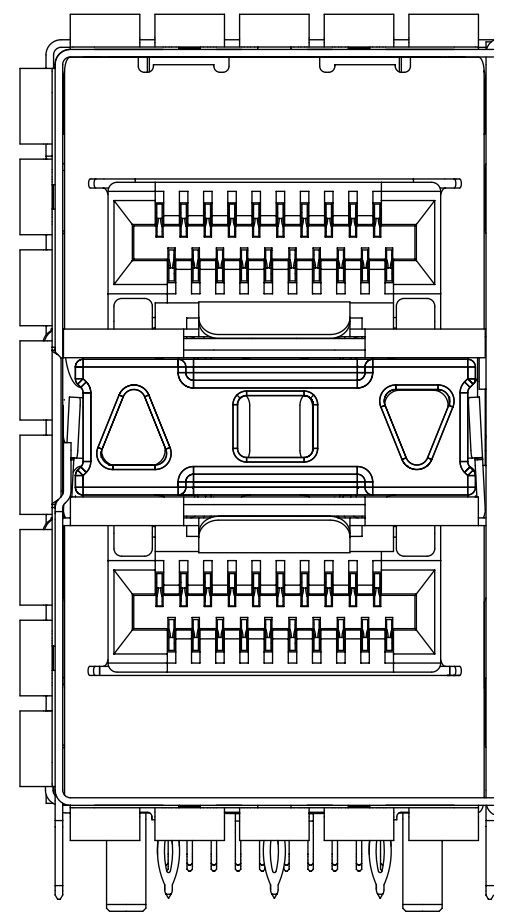
INNER LIGHT PIPE
171224-**12



OUTER LIGHT PIPE
DOWN / UP
171224-**13



OUTER LIGHT PIPE
UP / DOWN
171224-**14



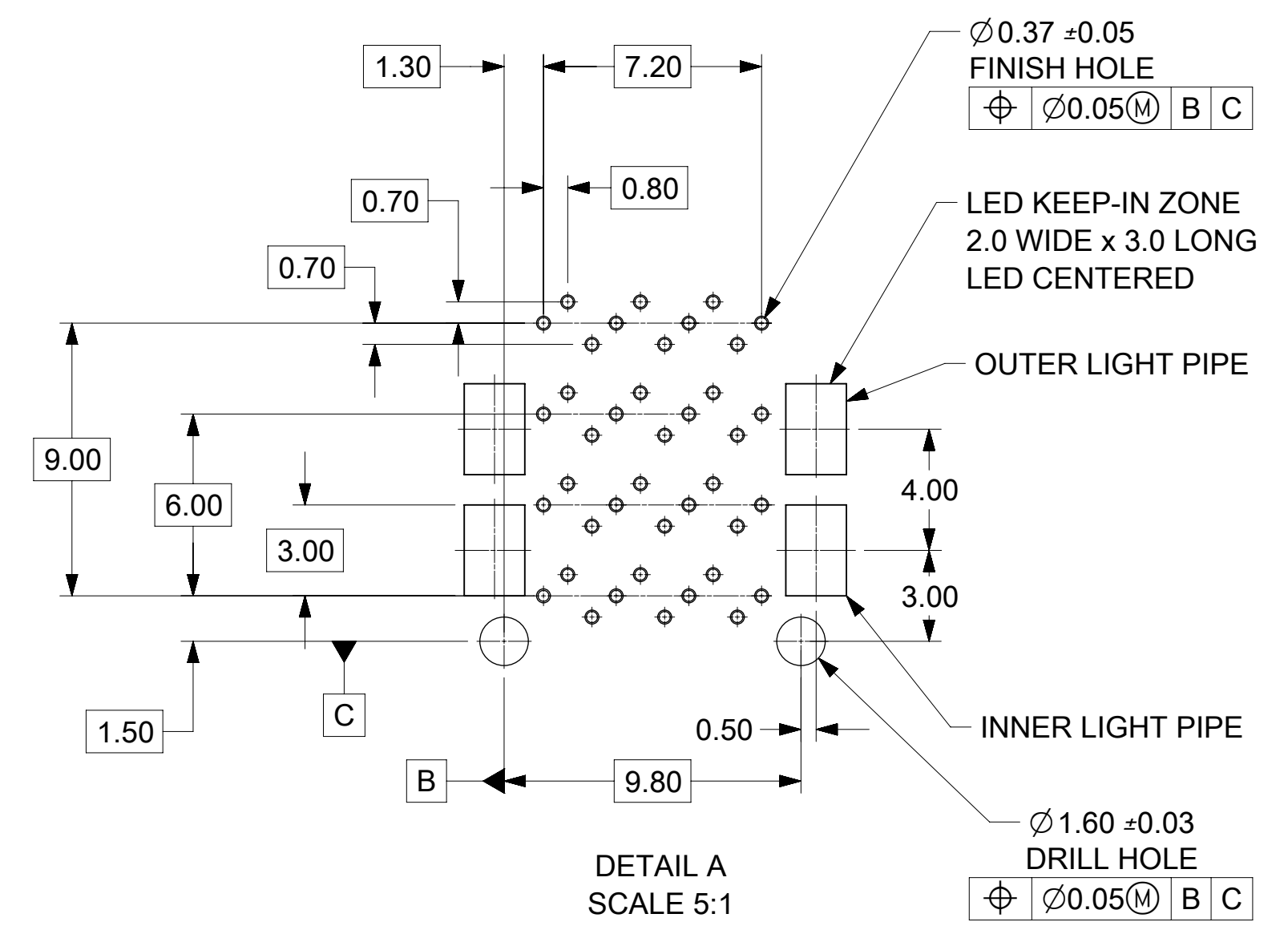
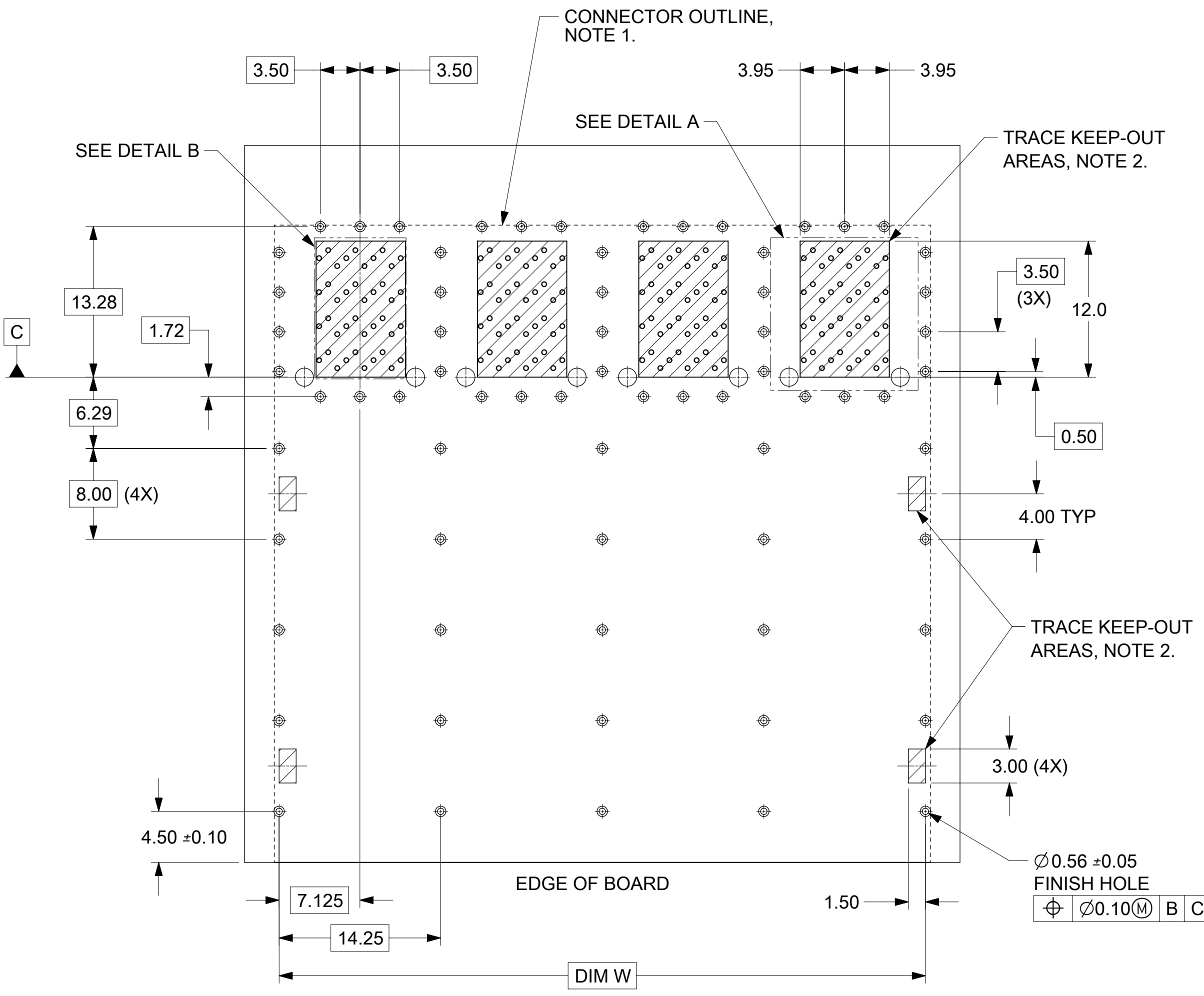
3 LIGHT PIPE
UP / MIDDLE / DOWN
171224-**15

PART NUMBER	DESCRIPTION
171224-**11	4 LIGHT PIPES
171224-**12	INNER 2 PORTS
171224-**13	OUTER 2 PORTS DOWN / UP
171224-**14	OUTER 2 PORTS UP / DOWN
171224-**15	3 LIGHT PIPES

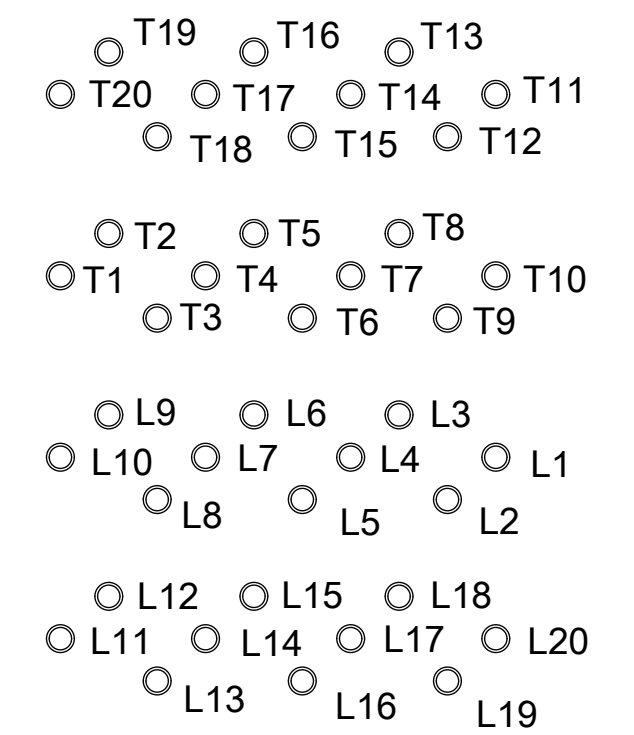
** - DESIGNATES PORT SIZE

THIS DRAWING CONTAINS INFORMATION THAT IS PROPRIETARY TO MOLEX ELECTRONIC TECHNOLOGIES, LLC AND SHOULD NOT BE USED WITHOUT WRITTEN PERMISSION

DIMENSION UNITS MM	SCALE 3:1	CURRENT REV DESC: SEE REVISION HISTORY		molex		
GENERAL TOLERANCES (UNLESS SPECIFIED)		EC NO: 624150				
ANGULAR TOL ± 0.5°	4 PLACES ±	DRWN: CWANG67	2019/09/12	PRODUCT CUSTOMER DRAWING		
3 PLACES ±	2 PLACES ± 0.13	CHK'D: CWANG67	2019/09/17	DOCUMENT NUMBER		
1 PLACE ± 0.25	0 PLACES ±	APPR: RNELSON	2019/09/26	SD-171224-0300		
DRAFT WHERE APPLICABLE MUST REMAIN WITHIN DIMENSIONS		INITIAL REVISION:		DOC TYPE	DOC PART	REVISION
THIRD ANGLE PROJECTION		DRWN: SHONG	2017/04/09	PSD	001	A1
DRAWING		APPR: SHONG	2017/07/28	MATERIAL NUMBER	CUSTOMER	SHEET NUMBER
C-SIZE		SERIES	171224	SEE CHART	GENERAL MARKET	2 OF 5



PIN MAP



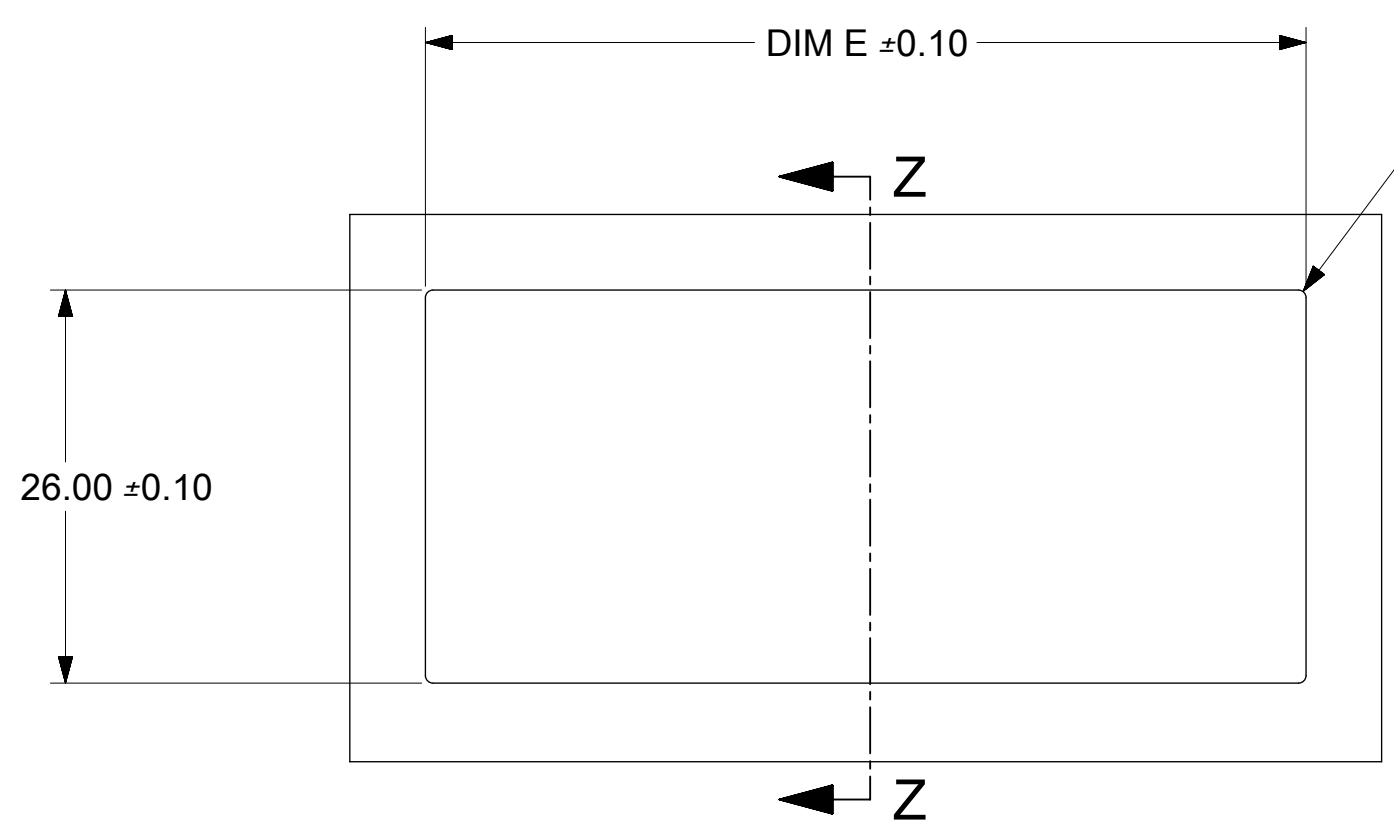
PORT SIZE	DIM "W"	HOLE CHART		
		CONNECTOR (Ø0.37)	SHIELD (Ø0.56)	LOCATION (Ø1.60)
2X1	14.25	40	24	2
2X2	28.50	80	39	4
2X4	57.00	160	69	8
2X6	85.50	240	99	12
2X8	114.00	320	129	16
2X10	142.50	400	159	20
2X12	171.00	480	189	24

NOTES:

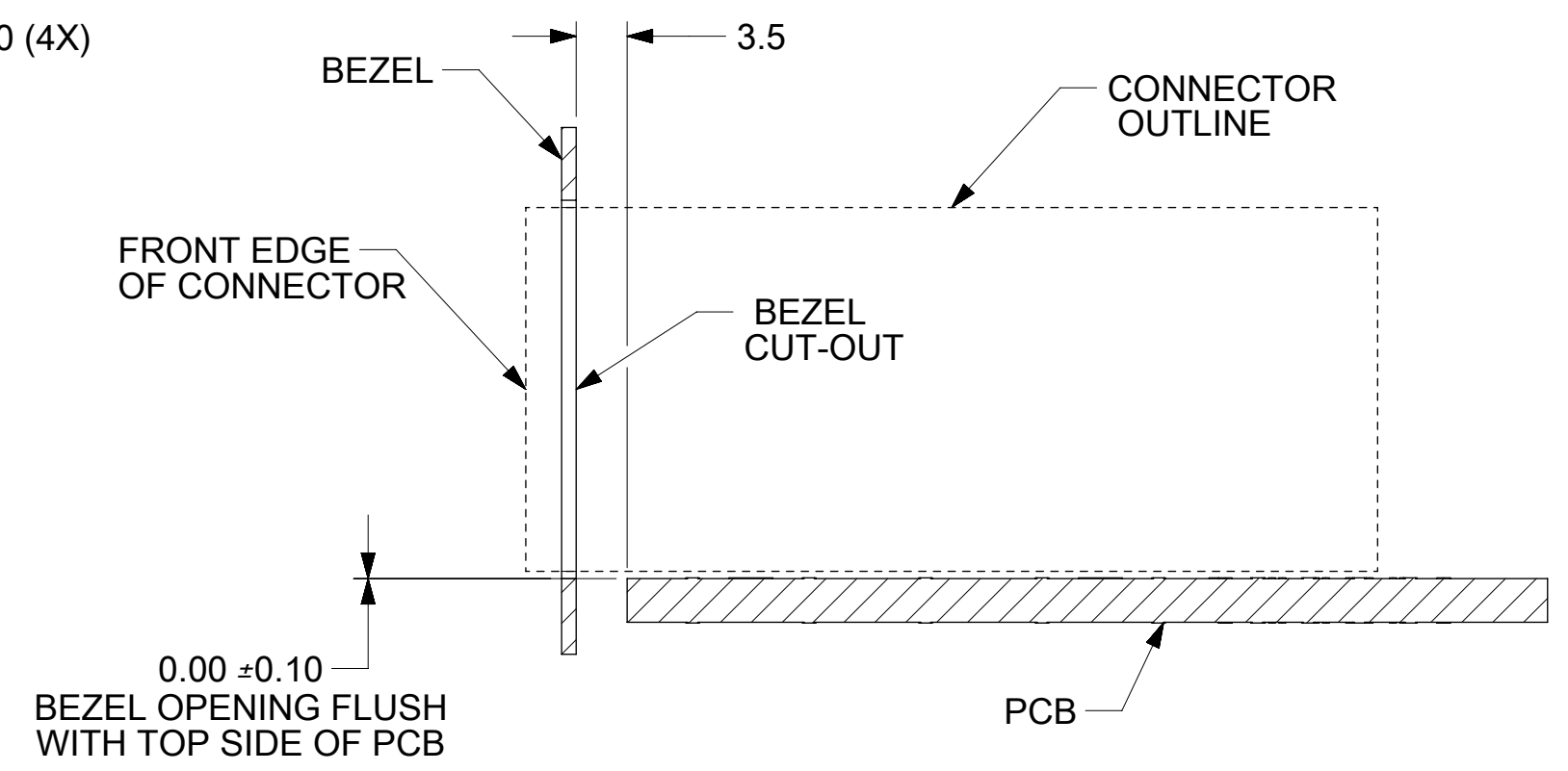
1. THE ENTIRE AREA UNDER THE CONNECTOR IS A KEEP OUT ZONE FOR COMPONENTS AND TRACES, TOP LAYER ONLY, EXCEPT FOR CHASSIS GROUND.
2. CROSS-HATCHED AREAS INDICATE PLACES WHERE THE PLASTIC HOUSING AND METAL CAGE MAY CONTACT PCB SURFACE. THESE AREAS ARE KEEP OUT ZONES. CROSS-HATCHED AREA UNDER THE CONNECTOR ARE TRACE AND VIA KEEP OUT AREAS FOR THE TOP LAYER.

THIS DRAWING CONTAINS INFORMATION THAT IS PROPRIETARY TO MOLEX ELECTRONIC TECHNOLOGIES, LLC AND SHOULD NOT BE USED WITHOUT WRITTEN PERMISSION

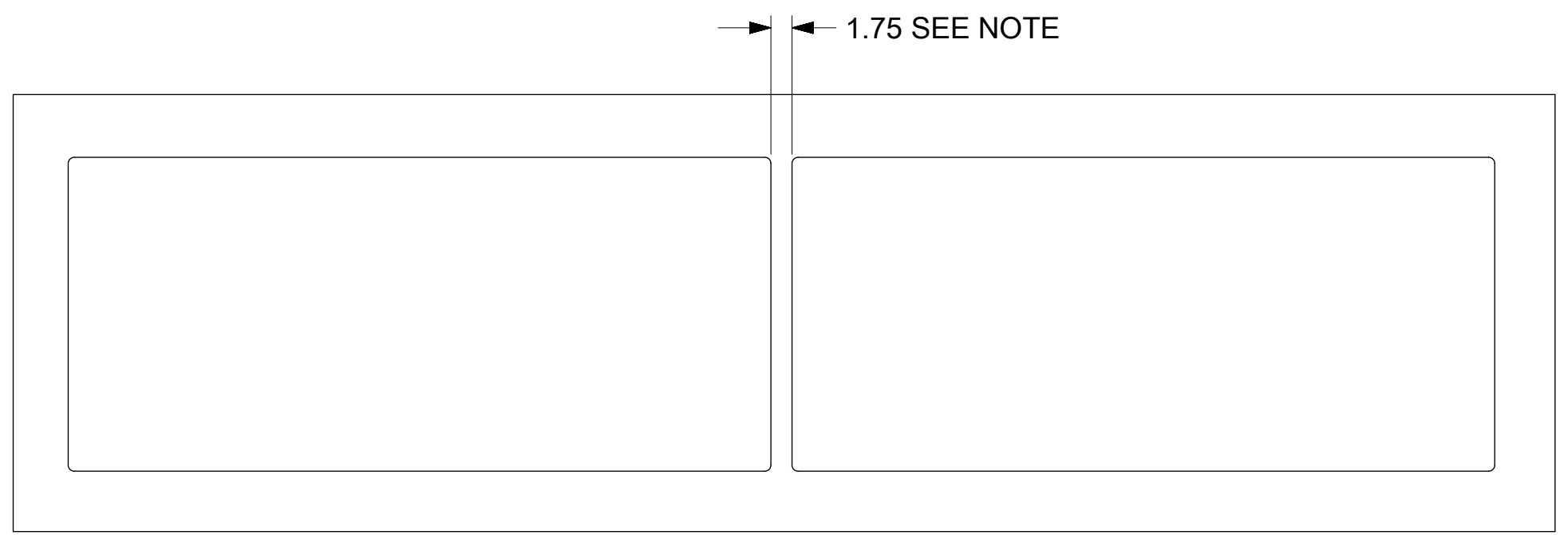
DIMENSION UNITS MM	SCALE 3:1	CURRENT REV DESC: SEE REVISION HISTORY		molex		
GENERAL TOLERANCES (UNLESS SPECIFIED)	ANGULAR TOL ± 0.5°	EC NO: 624150	2019/09/12			
4 PLACES ±	3 PLACES ±	DRWN: CWANG67	2019/09/17	PRODUCT CUSTOMER DRAWING		
2 PLACES ± 0.13	1 PLACE ± 0.25	CHK'D: CWANG67	2019/09/26	DOCUMENT NUMBER		
0 PLACES ±		APPR: RNELSON		SD-171224-0300		
DRAFT WHERE APPLICABLE MUST REMAIN WITHIN DIMENSIONS	THIRD ANGLE PROJECTION	INITIAL REVISION:		DOC TYPE	DOC PART	REVISION
		DRWN: SHONG	2017/04/09	PSD	001	A1
		APPR: SHONG	2017/07/28	MATERIAL NUMBER	CUSTOMER	SHEET NUMBER
		DRAWING	SERIES	SEE CHART	GENERAL MARKET	3 OF 5
		C-SIZE	171224			



BEZEL CUT-OUT DETAIL
BEZEL THICKNESS 0.8-2.6



SECTION Z-Z



BEZEL CUT-OUT FOR
CONNECTOR STACKING

PORT SIZE	DIM "E"
2X1	15.50
2X2	29.75
2X4	58.25
2X6	86.75
2X8	115.25
2X10	143.75
2X12	172.25

NOTE:

FOR SIDE BY SIDE STACKING OF CONNECTORS. A BASIC DIMENSION OF 3.0mm BETWEEN CONNECTOR MOUNTING PATTERNS IS THE RECOMMENDED MINIMUM SPACING.

THIS DRAWING CONTAINS INFORMATION THAT IS PROPRIETARY TO MOLEX ELECTRONIC TECHNOLOGIES, LLC AND SHOULD NOT BE USED WITHOUT WRITTEN PERMISSION

DIMENSION UNITS MM	SCALE 2:1	CURRENT REV DESC: SEE REVISION HISTORY					
GENERAL TOLERANCES (UNLESS SPECIFIED)		EC NO: 624150					ZSFP+ STACKED ASSY WITH ARC SPRING FINGER WITH LIGHT PIPE
ANGULAR TOL ± 0.5°		4 PLACES ±	DRWN: CWANG67	2019/09/12	PRODUCT CUSTOMER DRAWING		
		3 PLACES ±	CHK'D: CWANG67	2019/09/17	DOCUMENT NUMBER		
		2 PLACES ± 0.13	APPR: RNELSON	2019/09/26	SD-171224-0300		
		1 PLACE ± 0.25	INITIAL REVISION:		DOC TYPE	DOC PART	
		0 PLACES ±	DRWN: SHONG	2017/04/09	PSD	001	
			APPR: SHONG	2017/07/28	REVISION		
DRAFT WHERE APPLICABLE MUST REMAIN WITHIN DIMENSIONS		THIRD ANGLE PROJECTION	DRAWING	SERIES	MATERIAL NUMBER	CUSTOMER	SHEET NUMBER
			C-SIZE	171224	SEE CHART	GENERAL MARKET	4 OF 5

H
G
F
E
D
C
B
A

H
G
F
E
D
C
B
A

REVISION HISTORY		
DATE	REV.	DESCRIPTION
2019/09/17	A1	1.ADDED REVISION HISTORY 2.ADDED DIM OF SHORT SIGNAL TAIL, SHEET1. 3.ADDED NOTE8 FOR DATE CODE, SHEET1.
		4.ADDED NOTES FOR KEEP-OUT ZONE, SHEET3.

THIS DRAWING CONTAINS INFORMATION THAT IS PROPRIETARY TO MOLEX ELECTRONIC TECHNOLOGIES, LLC AND SHOULD NOT BE USED WITHOUT WRITTEN PERMISSION

DIMENSION UNITS mm	SCALE 1:1	CURRENT REV DESC: SEE REVISION HISTORY		molex				
GENERAL TOLERANCES (UNLESS SPECIFIED)		EC NO: 624150						ZSFP+ STACKED ASSY WITH ARC SPRING FINGER WITH LIGHT PIPE
ANGULAR TOL ± 0.5°		DRWN: CWANG67	2019/09/12	PRODUCT CUSTOMER DRAWING				
4 PLACES ±		CHK'D: CWANG67	2019/09/17	DOCUMENT NUMBER				
3 PLACES ±		APPR: RNELSON	2019/09/26	SD-171224-0300		DOC TYPE	DOC PART	REVISION
2 PLACES ± 0.13		INITIAL REVISION:		PSD 001 A1				
1 PLACE ± 0.25		DRWN: SHONG	2017/04/09	MATERIAL NUMBER				
0 PLACES ±		APPR: DTAN10	2017/06/29	GENERAL MARKET		SHEET NUMBER		
DRAFT WHERE APPLICABLE MUST REMAIN WITHIN DIMENSIONS	THIRD ANGLE PROJECTION	DRAWING	SERIES	C-SIZE 171224		5 OF 5		

DOCUMENT STATUS	P1	RELEASE DATE	2019/09/26 02:10:16
-----------------	----	--------------	---------------------