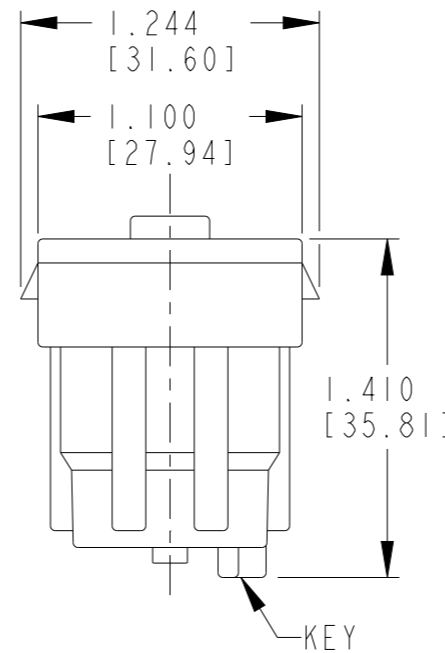
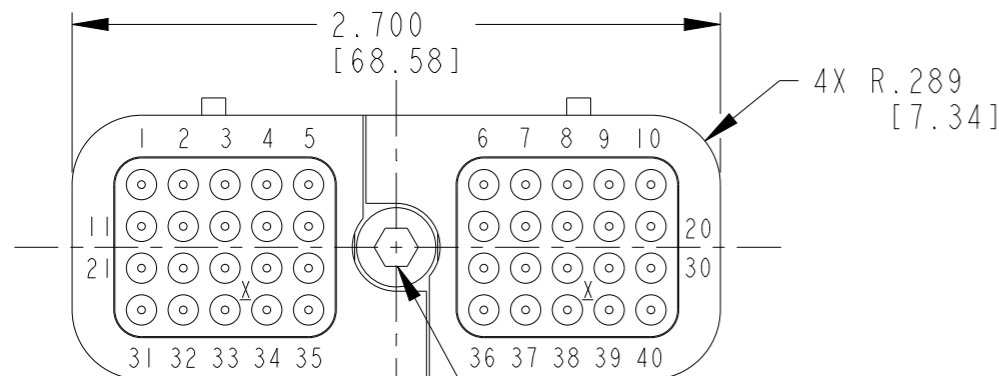


P	LTR	DESCRIPTION	DATE	DWN	APVD
	E	REVISED PER PCN-21-118564	04MAR2022	DRK	CB



DRC26-40SA

DRC26-40SB



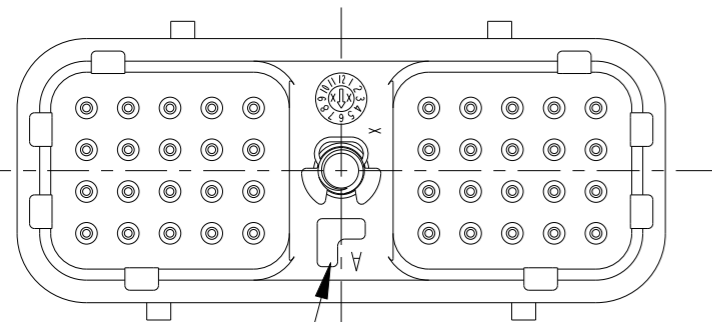
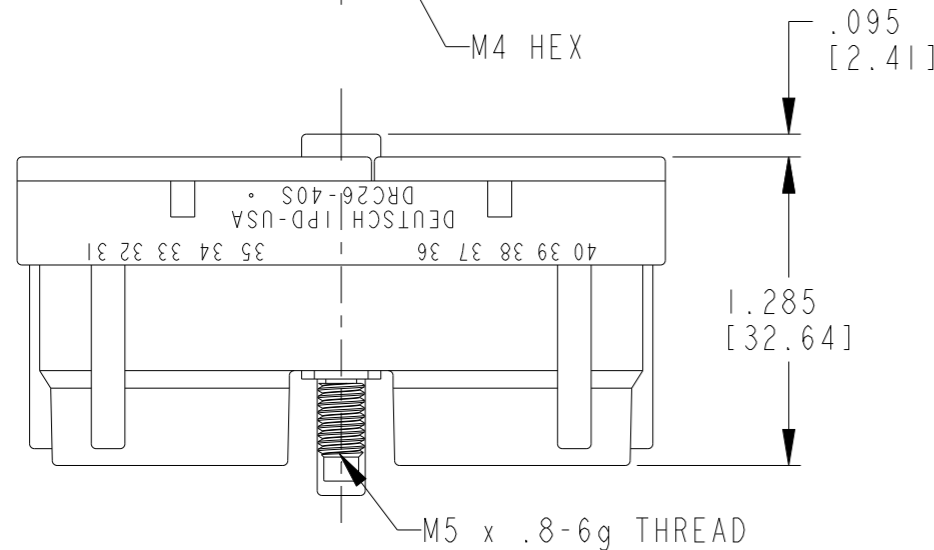
DRC26-40SC

DRC26-40SD



KEY ORIENTATION

TCPN	ALIAS PART NUMBER
DRC26-40SA	DRC26-40SA
DRC26-40SB	DRC26-40SB
DRC26-40SC	DRC26-40SC
DRC26-40SD	DRC26-40SD



SEE KEY ORIENTATION

5. MATERIAL: HOUSING: PPS 40% GF (BLACK); BOLT: STEEL, TRIVALENT ZINC PLATED (ROHS COMPLIANT); CLIP: STEEL; GROMMET: VMQ

4. RECOMMENDED RETAINING BOLT TORQUE: 25-28 IN-LB [2.82-3.16 NM].

3. THIS PLUG MATES WITH DRC23-40P*-**** RECEPTACLE. (* = A,B,C,D KEYS; **** = ALL MODIFICATIONS)

2. FOR CONTACT AND WIRE PERFORMANCE AND APPLICATION CHARACTERISTICS SEE ENVELOPE DRAWING 0425-015-0000.

1. PLUG IS SUPPLIED WITH DUST CAP (NOT SHOWN).

NOTES: UNLESS OTHERWISE SPECIFIED

CONTACT SIZE	MIN. INSUL. O.D.	MAX. INSUL. O.D.	WIRE RANGE [mm ²] REF ONLY
20	.040 [1.016]	.095 [2.413]	16-20 AWG [1.0-0.5]

THIS DRAWING IS A CONTROLLED DOCUMENT.		DWN D MEYER 30NOV2005			
DIMENSIONS: INCHES [mm]		CHK R MESSENGER 31MAR2005			
TOLERANCES UNLESS OTHERWISE SPECIFIED:		APVD R REED 31MAR2005			
0 PLC ±- 1 PLC ±- 2 PLC ±- 3 PLC ±.025 [.635] 4 PLC ±- ANGLES ±- FINISH - -		NAME PLUG 40 CONTACTS, SIZE 20 DRC SERIES APPLICATION SPEC 108-151052 WEIGHT - CUSTOMER DRAWING			
MATERIAL	5	SIZE A3	CAGE CODE 00779	DRAWING NO. C=DRC26-40SX	RESTRICTED TO -
SCALE 5:4			SHEET 1 OF 1	REV E	