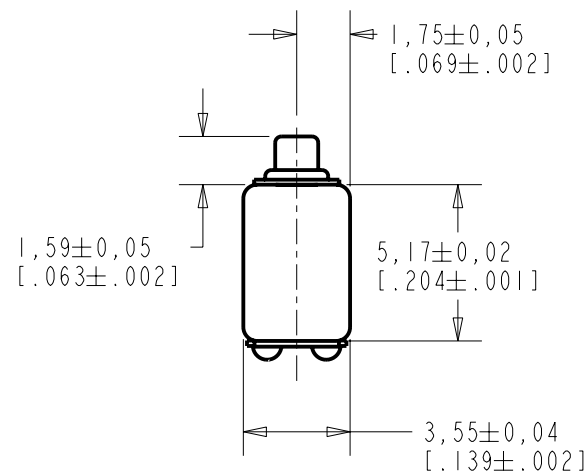


FC-23300-000

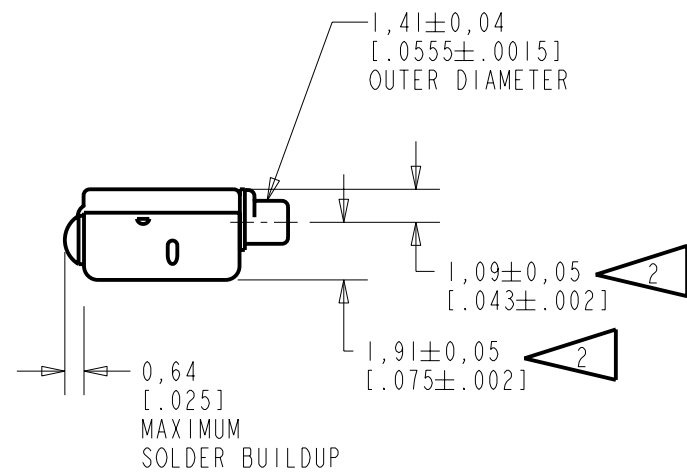
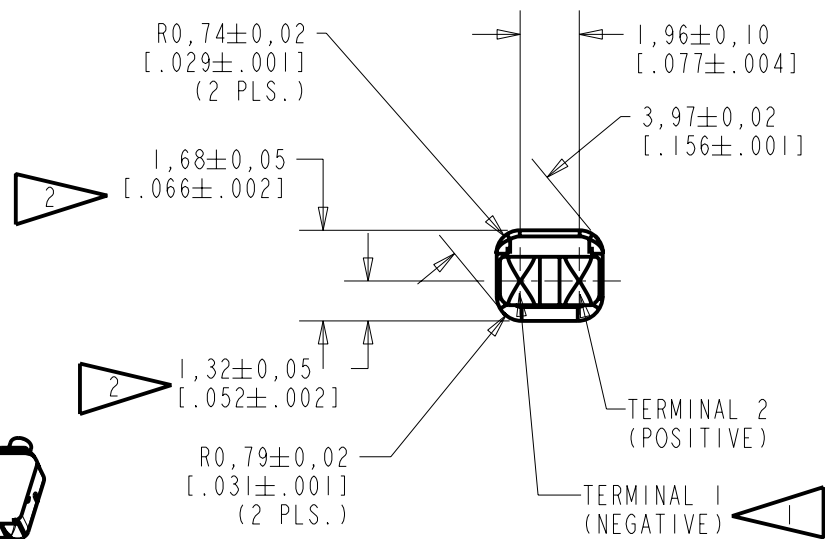
SHT 1.1



NOTES:

1 A POSITIVE GOING VOLTAGE AT TERMINAL 2, RELATIVE TO TERMINAL 1, CAUSES A DECREASE IN PRESSURE AT THE SOUND OUTLET.

2 LOCATED FROM TWO SURFACES FOR CUSTOMER CONVENIENCE. ONLY APPLICABLE FROM ONE SURFACE, NOT TO BE USED TOGETHER.



SCALE 2:1

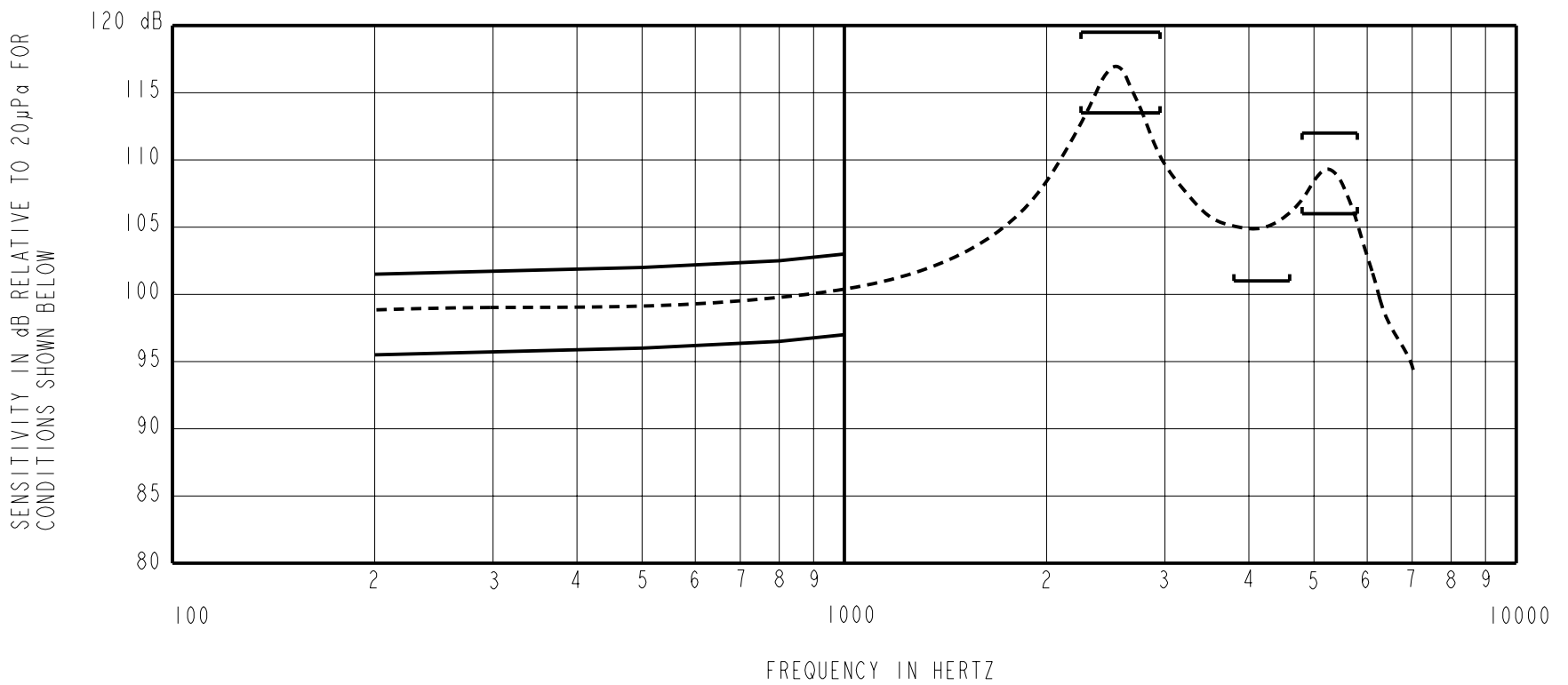
NOMINAL WEIGHT
.23 GRAMS

DIMENSIONS IN MILLIMETERS [INCHES]

Revision	C.O. #	Implementation Date	RELEASE LEVEL	REVISION
B	C10104814	9-22-06	Released	B
A	C10103166	9-20-05		

KNOWLES ELECTRONICS
ITASCA, ILLINOIS U.S.A.

SCALE: 4:1		DR. BY	DATE
DO NOT SCALE DRAWING		MMM	9-20-05
TITLE: RECEIVER		FC-23300-000	CK. BY
OUTLINE DRAWING		SHT 1.1	GJP
		APP. BY	DATE
		GJP	9-26-05



NOTES:

1. MEASUREMENTS MADE USING 10mm (.394") X 1mm (.039") ID TUBE CONNECTED TO A SIMULATED ANSI S3.3-1960 TYPE HA-3 COUPLER. (T3420 AND B & K DB0138).

2. SENSITIVITY

FREQUENCY	MIN.	MAX.
200	95.5	101.5
500	96.0	102.0
800	96.5	102.5
1000	97.0	103.0
2250-2950	113.5	119.5
3800-4600	101.0	---
4800-5800	106.0	112.0

- RESPONSE, IMPEDANCE, AND DISTORTION MEASUREMENTS MADE USING THE ELECTRICAL TEST CONDITIONS SHOWN BELOW.
- ELECTRICAL SOURCE IMPEDANCE MUST BE GREATER THAN 20 TIMES 1KHz IMPEDANCE FOR TEST CONDITIONS SHOWN BELOW.
- INDIVIDUAL SPECIFICATIONS.

PORT LOCATION	IMPEDANCE OHMS ±15%		DCR @20°C OHMS ±10%	DISTORTION		ELECTRICAL TEST CONDITIONS	
	1KHz	500Hz		MAX. %	FREQ Hz	AC mA RMS	DC mA
12C	1055	625	395	10	800	0.71	1.0

Revision	C.O. #	Implementation Date	RELEASE LEVEL	REVISION
B	C10104814	9-22-06	Released	B
A	C10103166	9-20-05		

KNOWLES ELECTRONICS
ITASCA, ILLINOIS U.S.A.

WHEN TEST LIMITS ARE USED TO ESTABLISH INCOMING INSPECTION ACCEPTANCE/REJECTION CRITERIA, CORRELATION OF TEST EQUIPMENT WITH KNOWLES IS ALSO REQUIRED FOR ELIMINATION OF EQUIPMENT AND TEST METHOD VARIATION

TITLE: **RECEIVER**
PERFORMANCE SPECIFICATION

FC-23300-000
SHT 2.1

DR. BY	DATE
MMM	9-20-05
CK. BY	DATE
GJP	9-26-05
APP. BY	DATE
GJP	9-26-05