

NOTES:

1. MATERIALS AND FINISHES:
 BODY & CONTACT- BRASS, GOLD PLATING
 INSULATOR - LCP E130i
 CAP - PTFE, NATURAL

2. ELECTRICAL:
 A. IMPEDANCE: 50 OHM
 B. FREQUENCY RANGE: DC - 18 GHz
 C. VSWR (RETURN LOSS): 1.10 MAX. (-26.4 dB MIN.) @ DC - 6 GHz
 1.15 MAX. (-23.1 dB MIN.) @ 6 - 10 GHz
 1.30 MAX. (-17.7 dB MIN.) @ 10 - 18 GHz
 CONNECTOR ONLY, PERFORMANCE WILL VARY
 BASED ON BOARD LAYOUT
 D. DIELECTRIC WITHSTANDING VOLTAGE: 500 VRMS, MIN.

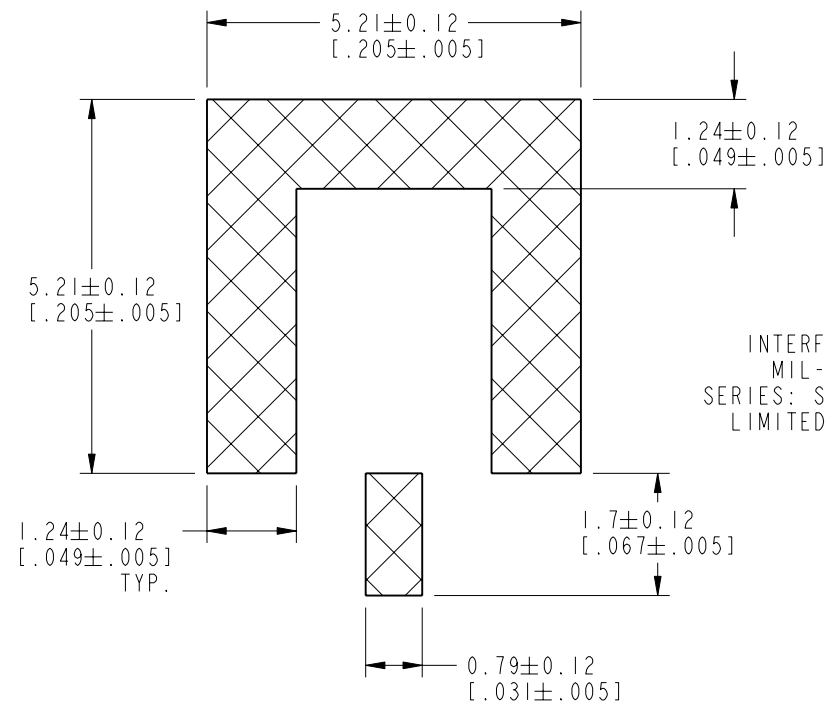
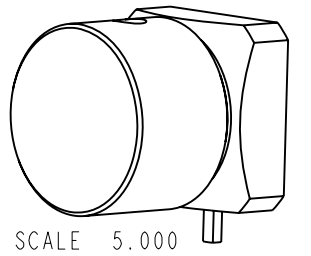
3. MECHANICAL:
 A. DURABILITY: 500 CYCLES MIN.
 B. TEMPERATURE RANGE: -65°C TO +165°C
 C. ENGAGEMENT FORCE: 10 LBS (45 N) MAX.
 D. DISENGAGEMENT FORCE: 2 LBS (9 N) MIN.
 E. INNER CONTACT RETENTION FORCE: 1.5 LBS (7 N) MIN.

4. PACKAGING:
 A. QUANTITY: TAPE & REEL PACKAGING, 800 PCS/REEL
 B. MARKING: REEL TO BE MARKED:
 "AMPHENOL RF, SMP-MSLD-PCS17T AND DATE CODE"

THIRD ANGLE PROJ.

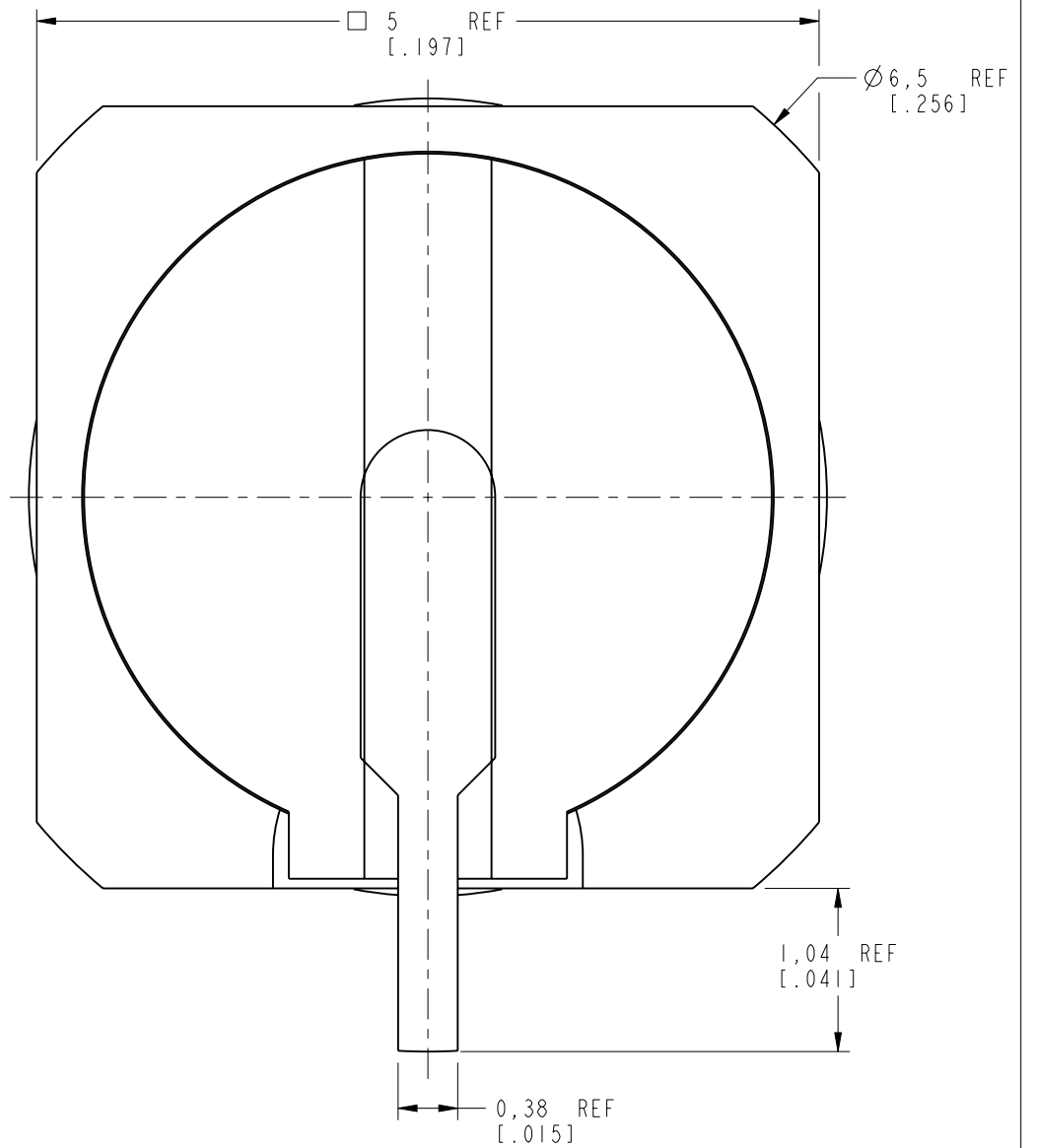
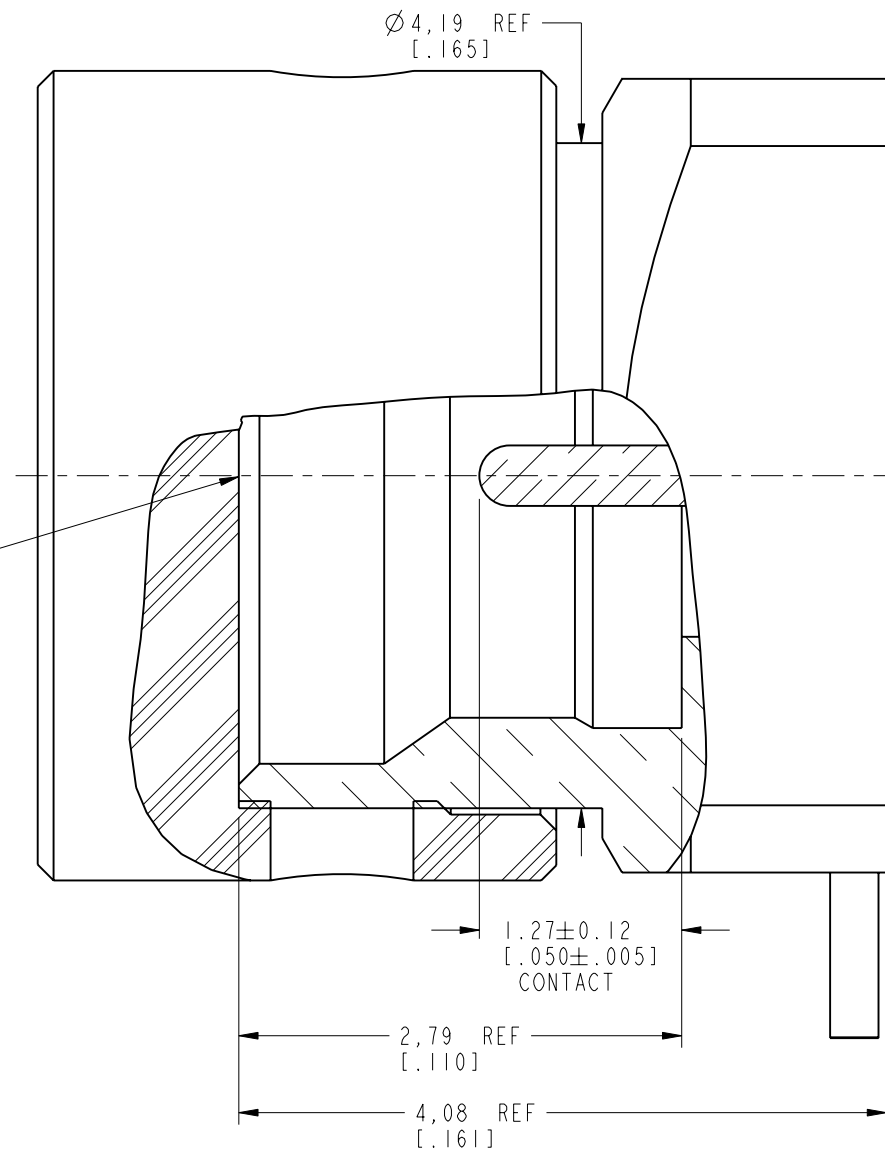
REVISIONS

REV	DESCRIPTION	DATE	ECO	APPR
A	RELEASE TO MFG.	07-Jun-18	08221	BMG



RECOMMENDED PCB LAYOUT DIMENSIONS

INTERFACE PER MIL-STD-348 SERIES: SMP JACK LIMITED DETENT



CUSTOMER OUTLINE DRAWING

ALL OTHER SHEETS ARE FOR INTERNAL USE ONLY

UNLESS OTHERWISE SPECIFIED, DIMENSIONS ARE IN METRIC AND TOLERANCES ARE:
 <0.5mm ±0.05mm 0.5 - 6mm ±0.1mm 6 - 30mm ±0.2mm 30 - 120mm ±0.3mm ANGLES ±1°

NOTICE - These drawings, specifications, or other data (1) are, and remain the property of Amphenol corp. (2) must be returned upon request; and (3) are confidential and not to be disclosed to any person other than those to whom they are given by Amphenol Corp. the furnishing of these drawings, specifications, or other data by Amphenol Corp., or to any other person to anyone for any purpose is not to be regarded by implication or otherwise in any manner licensing, granting rights to permitting such holder or any other person to manufacture, use or sell any product, process or design, patented or otherwise, that may in any way be related to or disclosed by said drawings, specifications, or other data.

MATERIAL	
REFERENCE	EAR # 8016 AND SMP-MSLD-PCS-ST
CONFIGURATION LEVEL:	In Work
FINISH	

DRAWN	STAR	DATE	13-Jun-18
ENGINEER	SUNDE	DATE	13-Jun-18
APPROVED	S. HSIEH	DATE	13-Jun-18
CAD FILE			

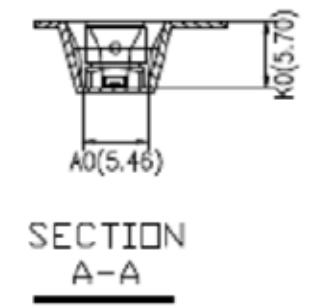
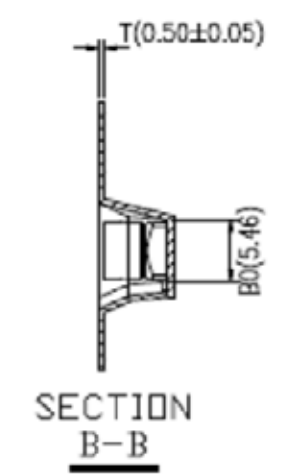
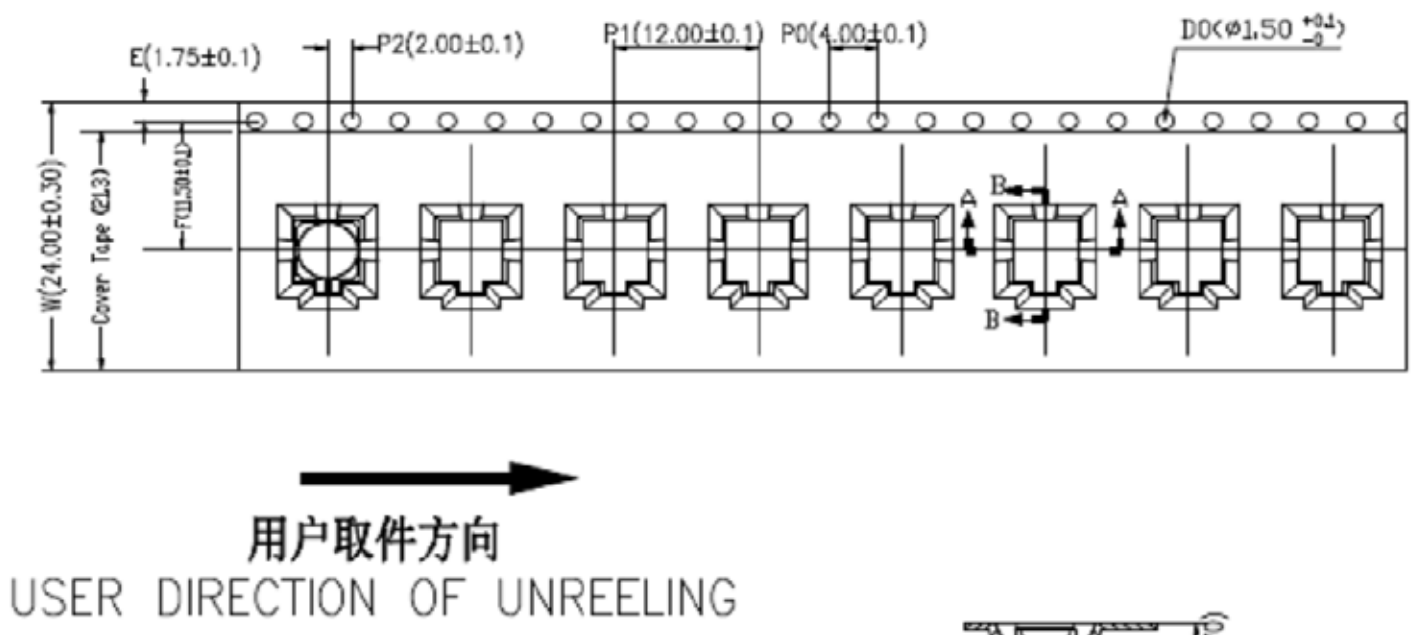
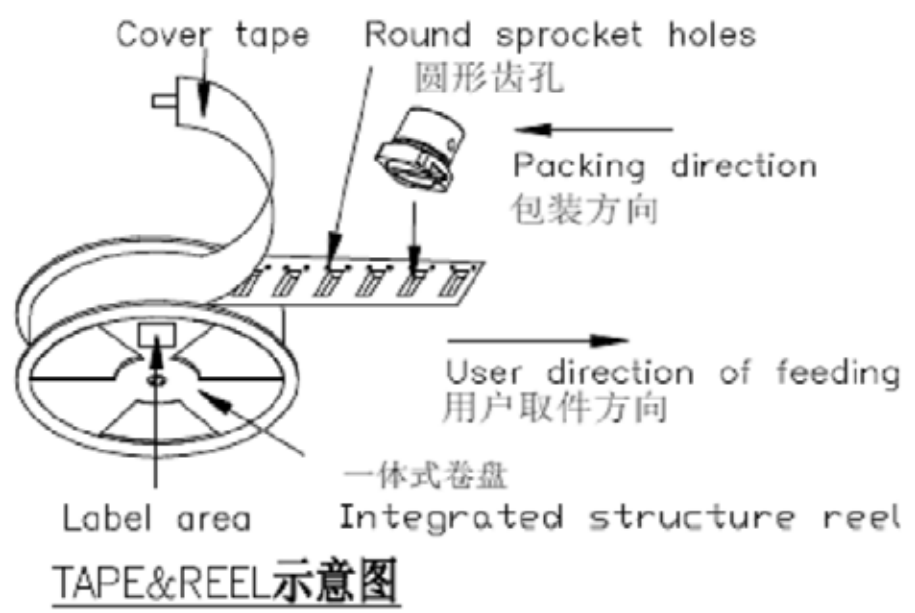
TITLE	SMP STR JACK PCB RECEPTACLE LIMITED DETENT SURFACE MOUNT
SCALE:	21.0:1.0 SHEET 2 OF 3
DWG SIZE	B
REV	A

Amphenol RF	
www.amphenolrf.com	
DRAWING NO.	SMP-MSLD-PCS17T
ITEM NO.	SMP-MSLD-PCS17T
PART NO.	SMP-MSLD-PCS17T

THIRD ANGLE PROJ.

REVISIONS

REV	DESCRIPTION	DATE	ECO	APPR
A	RELEASE TO MFG.	07-Jun-18	08221	BMG



- NOTES:
- 10 sprocket holes pitch cumulative tolerance ± 0.20 mm.
 - Carrier camber not to exceed 1 mm in 250 mm.
 - A0 and B0 measured on a plane 0.3 mm above the bottom of the pocket.
 - K0 measured from a plane on the inside bottom of the pocket to the top surface of the carrier.
 - All dimensions meet EIA-481-D requirements.
 - Material: Black PS (RoHS Compliant)
 - Thickness: 0.50 ± 0.05 mm.
 - Packing length per 13" reel: 10.56 Meters.
 - Component loader per 13" reel: 800 pcs.

注:未注公差为 ± 0.10

NOTE: ALL TOLERANCES ARE: ± 0.10 , EXCEPT WHERE NOTED

ITEM	W	A ₀	A ₁	B ₀	B ₁	K ₀	K ₁	P ₁	F	E	D ₀	P ₀	P ₂	T
DIM	24.00±0.30	5.46±0.10		5.46±0.10		5.70±0.10		12.00±0.10	11.50±0.10	1.75±0.10	1.50 $^{+0.10}_{-0.00}$	4.00±0.10	2.00±0.10	0.50±0.05

<p>UNLESS OTHERWISE SPECIFIED, DIMENSIONS ARE IN METRIC AND TOLERANCES ARE: < 0.5mm ± 0.05mm 0.5 - 6mm ± 0.1mm 6 - 30mm ± 0.2mm 30 - 120mm ± 0.3mm ANGLES ± 1°</p> <p>NOTICE - These drawings, specifications, or other data (1) are, and remain the property of Amphenol corp. (2) must be returned upon request; and (3) are confidential and not to be disclosed to any person other than those to whom they are given by Amphenol Corp. the furnishing of these drawings, specifications, or other data by Amphenol Corp., or to any other person for any purpose is not to be regarded by implication or otherwise in any manner licensing, granting rights to permitting such holder or any other person to manufacture, use or sell any product, process or design, patented or otherwise, that may in any way be related to or disclosed by said drawings, specifications, or other data.</p>	MATERIAL	DRAWN STAR	DATE 13-Jun-18	TITLE SMP STR JACK PCB RECEPTACLE LIMITED DETENT SURFACE MOUNT	<p>Amphenol RF</p> <p>www.amphenolrf.com</p>
	REFERENCE EAR # 8016 AND SMP-MSLD-PCS-5T	ENGINEER SUNDE	DATE 13-Jun-18		
	CONFIGURATION LEVEL: In Work	APPROVED S. HSIEH	DATE 13-Jun-18	ITEM NO. SMP-MSLD-PCS17T	
	FINISH	CAD FILE	SCALE: 21.0:1.0 SHEET 3 OF 3	PART NO. SMP-MSLD-PCS17T	
		DWG SIZE B	REV A		