

## OVERVIEW

Motion detection lens for security and lighting applications. Horizontal curtain (HC) beam pattern with 100deg FOV and up to 8m range. Ideal for portable security devices where pet immunity is required. Lens can be mounted flush with product housing which is ideal for devices where aesthetic appearance is important. Pyro not included.

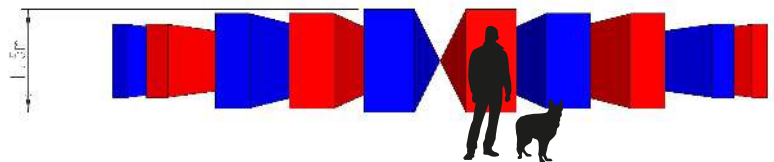
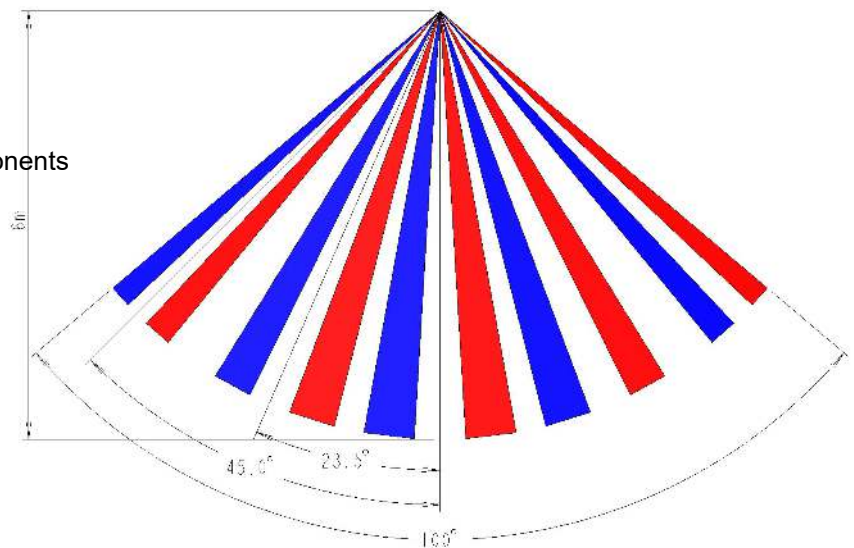


Dome Cap Lens HC

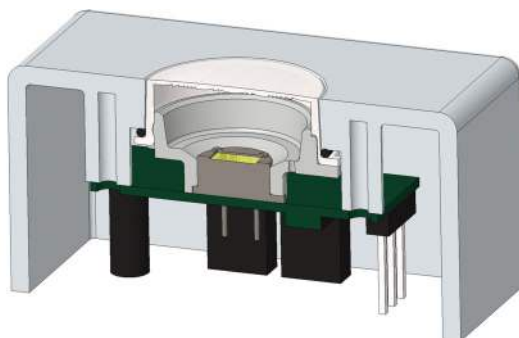
## FEATURES

- Designed to press onto standard T05 pyro
- Automatically sets correct focal distance
- Fresnel lenses to maximise IR collection
- Designed using optical ray-tracing software
- Compact shape with clearance for pcb components
- Available in natural, white and black colours

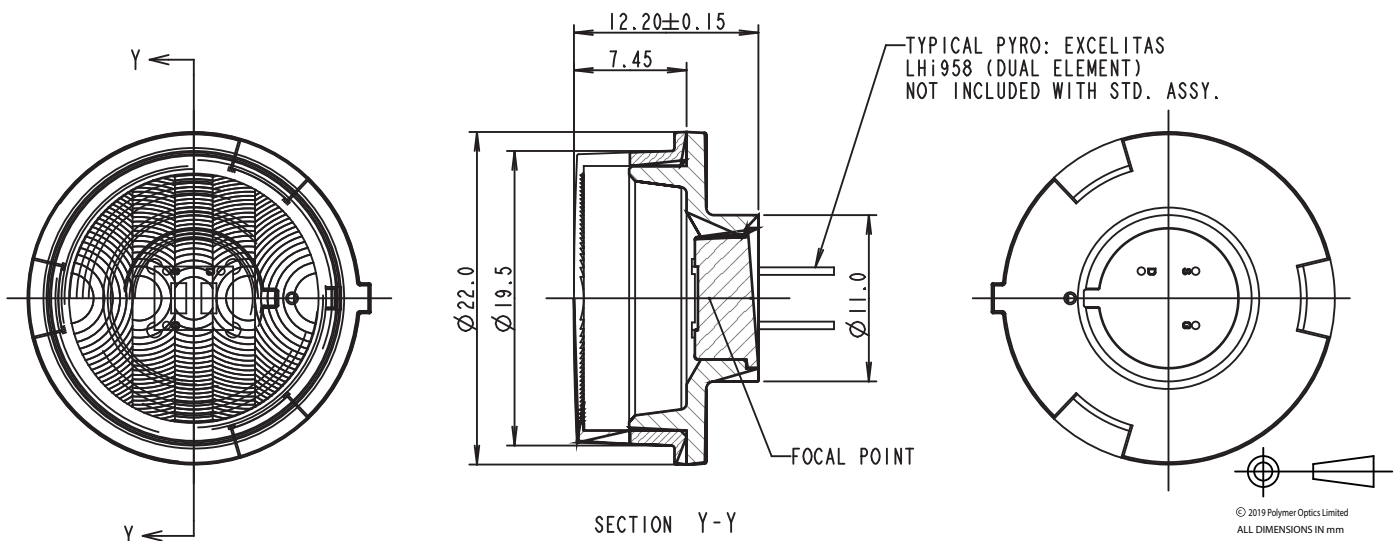
Part Number	Drawing	Colour
711-N	A3-10711	Natural
711-W	A3-10711	White
711-B	A3-10711	Black



Theoretical zone plot. Optimum range is 6m.  
Maximum Range 8m depending on electronic gain



Typical mounting method: 20x1mm o-ring stretched around lens flange. PCB screwed to housing via pillars. Orientation tab sits in channel next to fixing pillar.



© 2019 Polymer Optics Limited  
ALL DIMENSIONS IN mm

## FEATURES

- Designed to press onto standard T05 pyro
- Horizontal curtain and circular beam patterns
- Choice of profile shape to suit product styling
- Designed using optical ray-tracing software
- Compact shape with clearance for pcb components
- Available in natural, white and black colours

## APPLICATIONS

- Office and household lighting control
- Motion detection for security applications
- Individual luminaire switching
- Fan and air conditioning control
- Control panel illumination for appliances
- Vending machines, ATM's, streetlights



*Dome Cap Lens HC*



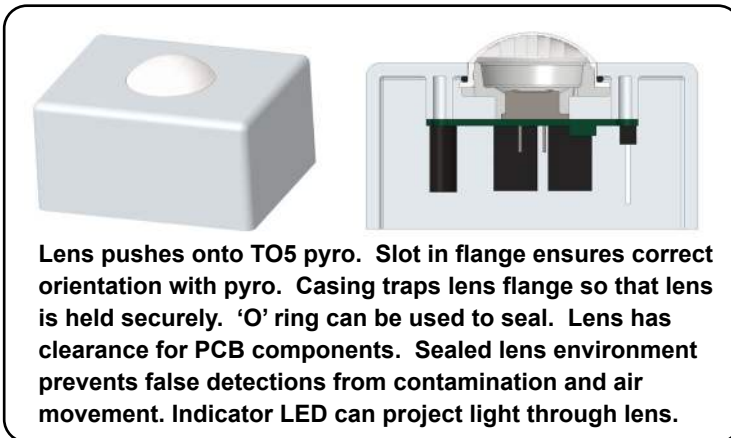
*Dome Cap Lens 360*



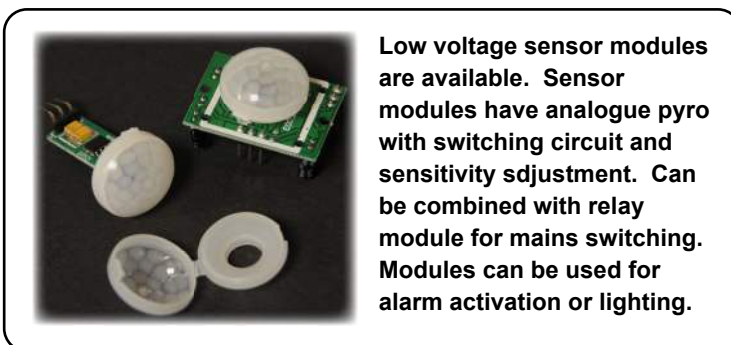
*Flat Cap Lens HC*



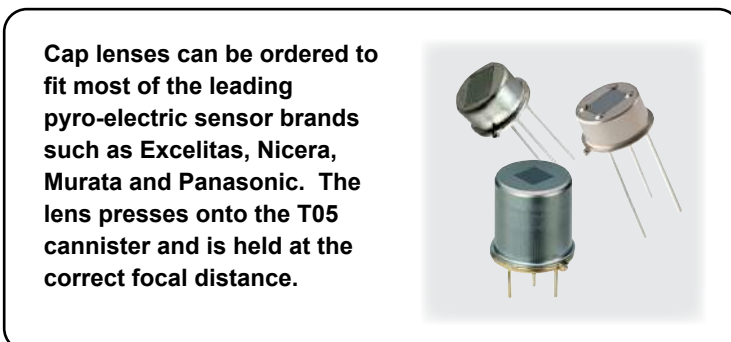
*Flat Cap Lens 360*



Lens pushes onto TO5 pyro. Slot in flange ensures correct orientation with pyro. Casing traps lens flange so that lens is held securely. 'O' ring can be used to seal. Lens has clearance for PCB components. Sealed lens environment prevents false detections from contamination and air movement. Indicator LED can project light through lens.



Low voltage sensor modules are available. Sensor modules have analogue pyro with switching circuit and sensitivity adjustment. Can be combined with relay module for mains switching. Modules can be used for alarm activation or lighting.



Cap lenses can be ordered to fit most of the leading pyro-electric sensor brands such as Excelitas, Nicera, Murata and Panasonic. The lens presses onto the T05 cannister and is held at the correct focal distance.



Small and compact, these lenses are suitable for numerous security and lighting applications, in the office, or around the home. Available in two beam pattern versions, horizontal curtain (HC) and 360deg ceiling, there is a lens suitable for every application.