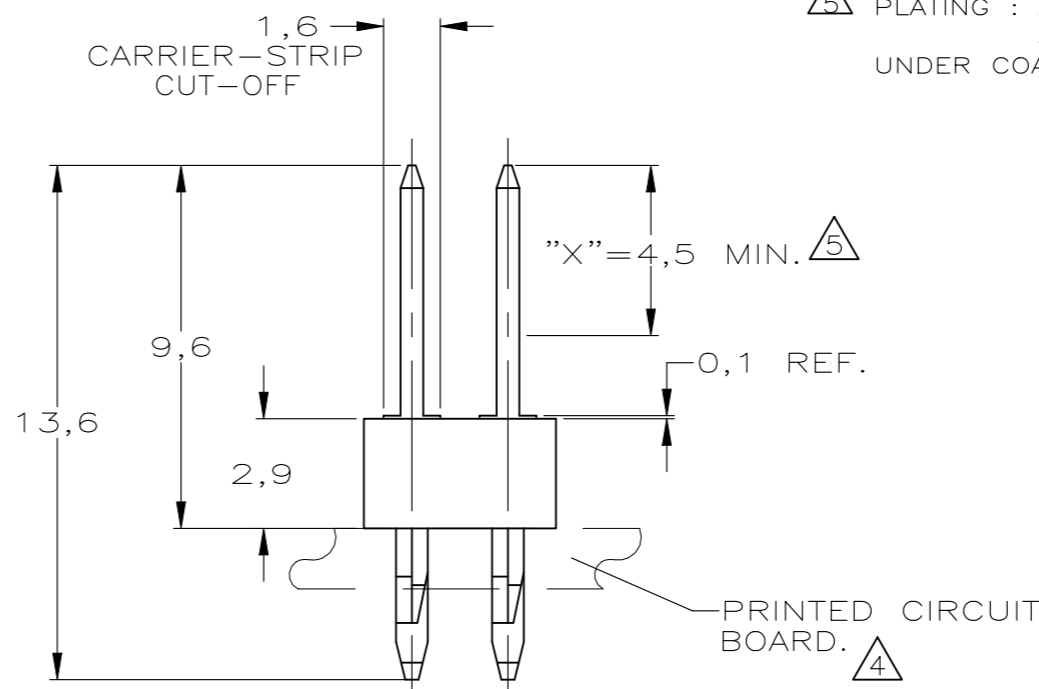
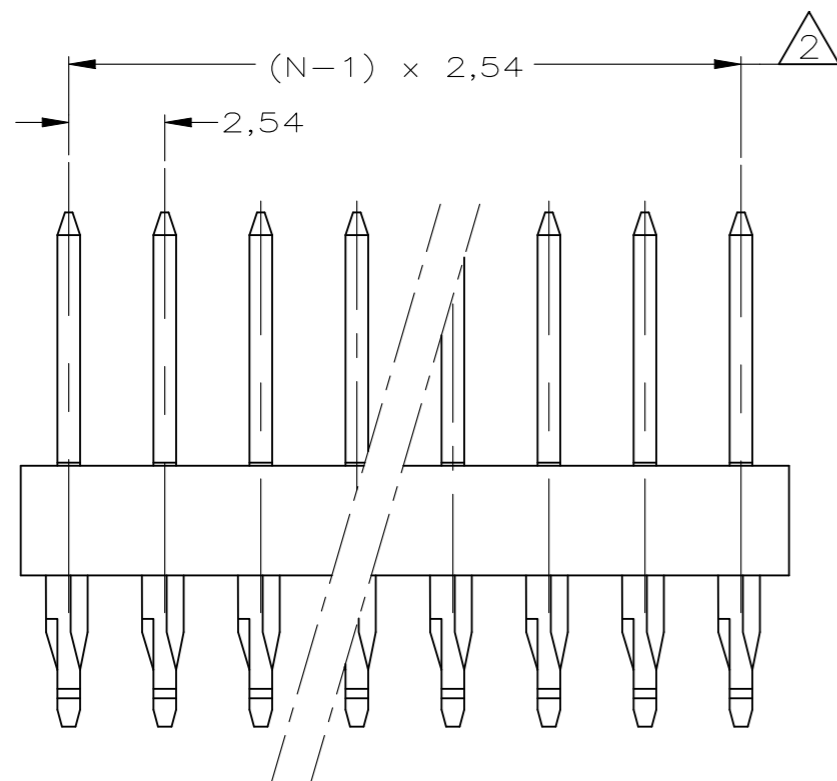
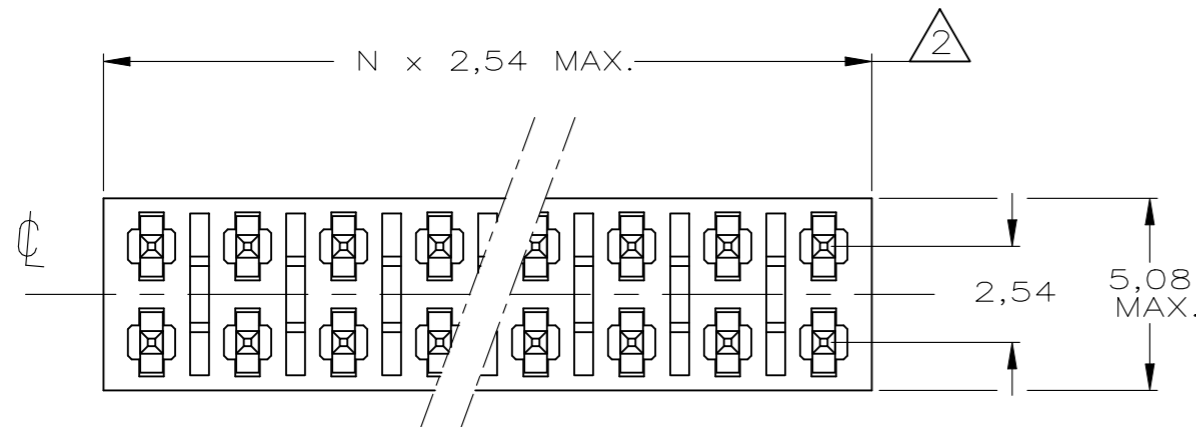


REVISIONS					
P	LTR	DESCRIPTION	DATE	DWN	APVD
	D	PLATING CHANGE FROM BRIGHT TIN TO MATTE TIN	28MAR2023	KA	SPS

NOTES:

- 1 CONTACT HOUSING RETENTION FORCE >1,5 N
- 2 TO DETERMINE DIMENSIONS TAKE N = Nr. OF POSITIONS.  
FOR EXAMPLE 10 POS. : N x 2,54 = 25,40 mm
- 3 MATERIAL HOUSING : GREEN GLASSFILLED POLYESTER.  
MATERIAL CONTACT : PHOSPHOR BRONZE  
FOR ORDER NR. USE BASIC NR. + NR. OF POSITIONS.  
FOR EXAMPLE : 2 POS.= 215447-2 (SHORTEST VERSION)  
40 POS.=4-215447-0 (LONGEST VERSION)
- 4 ACTION PIN SUITABLE FOR 1,6mm MIN. P.C.BOARD THICKNESS.
- 5 PLATING : AREA "X" Au-PLATED 0,76µm THICKNESS.  
ACTION-PIN AREA, Sn PLATED 1,27µm THICKNESS.  
UNDER COATING : 1,27µm Ni ALL OVER.



P.C.B. HOLE DIM. ACTION PIN	
DRILLED HOLE	: 1,15 ±0,025 mm
FIN. HOLE	: 0,94 to 1,09 mm
AFTER REFLOW	: 0,91 to 1,09 mm
Cu-thks	: 0,025 to 0,075 mm
Sn-thks	: 0,004 to 0,010 mm

THIS DRAWING IS A CONTROLLED DOCUMENT.

DIMENSIONS:	TOLERANCES UNLESS OTHERWISE SPECIFIED:
mm	±0.2mm
	0 PLC ± -
	1 PLC ± -
	2 PLC ± -
	3 PLC ± -
	4 PLC ± -
	ANGLES ± -

MATERIAL: SEE NOTES  
FINISH: SEE NOTES

DWN	L.V.D.HEIJDEN	01.02.1988
CHK	P.V.D.HAGEN	-
APVD	-	-
PRODUCT SPEC	-	-
APPLICATION SPEC	-	-
WEIGHT	-	-

TE Connectivity		NAME	
		MOD II ACTION PIN HEADER, DUAL ROW	
SIZE	CAGE CODE	DRAWING NO	RESTRICTED TO
A3	00779	C-215447	-

CUSTOMER DRAWING SCALE 5:1 SHEET 1 OF 1 REV D