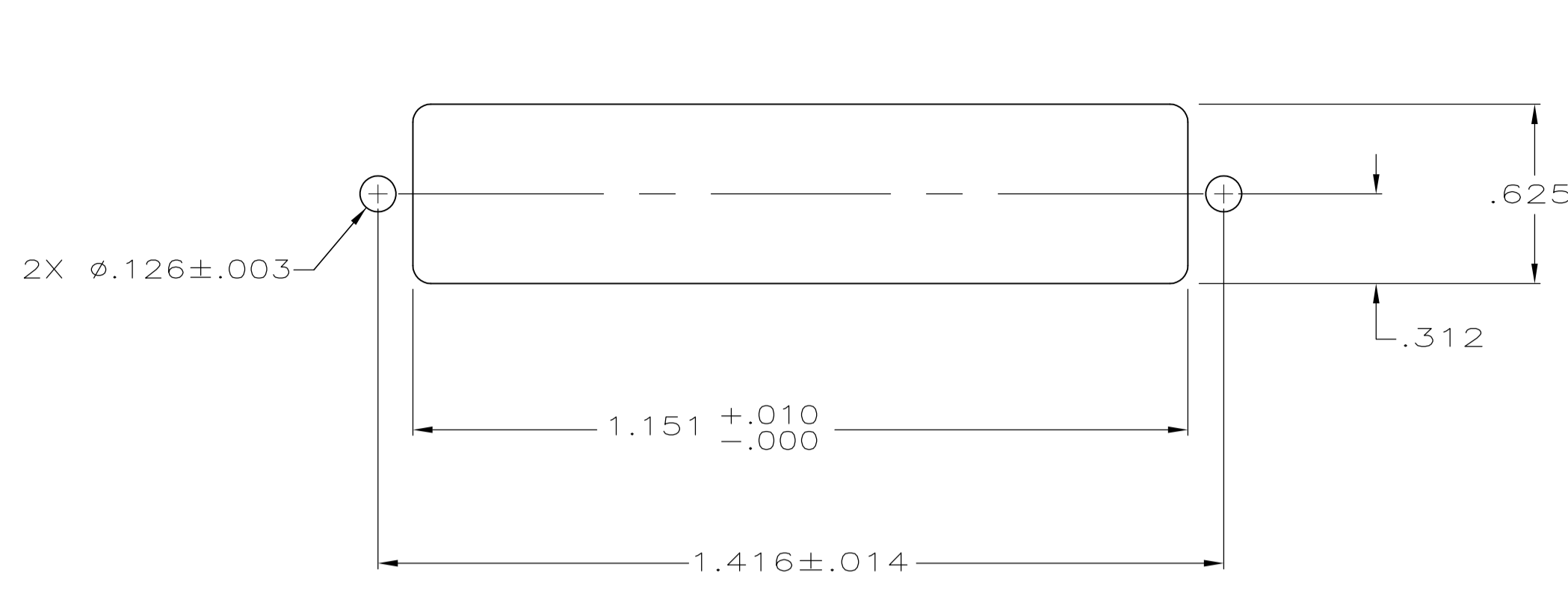
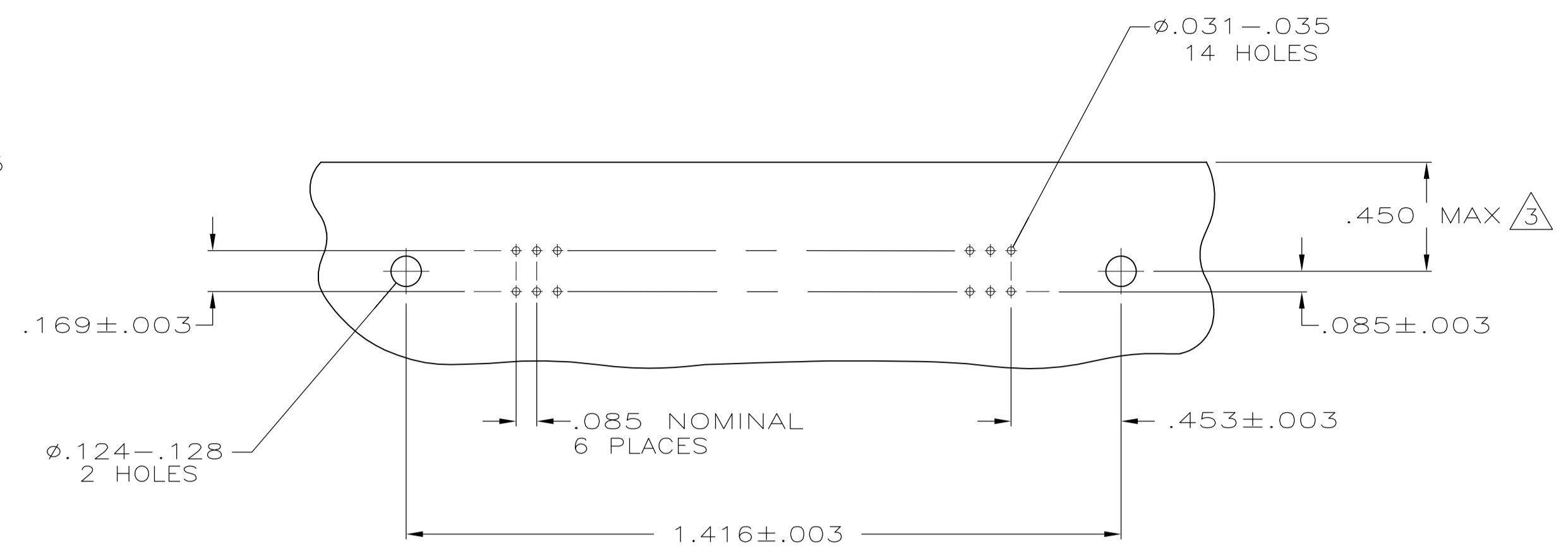


LOC		DIST		REVISIONS			
GP	00	REV	DATE	BY	CHK	APP	REV
B		REVISED PER ECO-08-007327	08APR08	BM	WM		
B1		REVISED PER ECO-09-024927	07NOV09	KK	AEG		

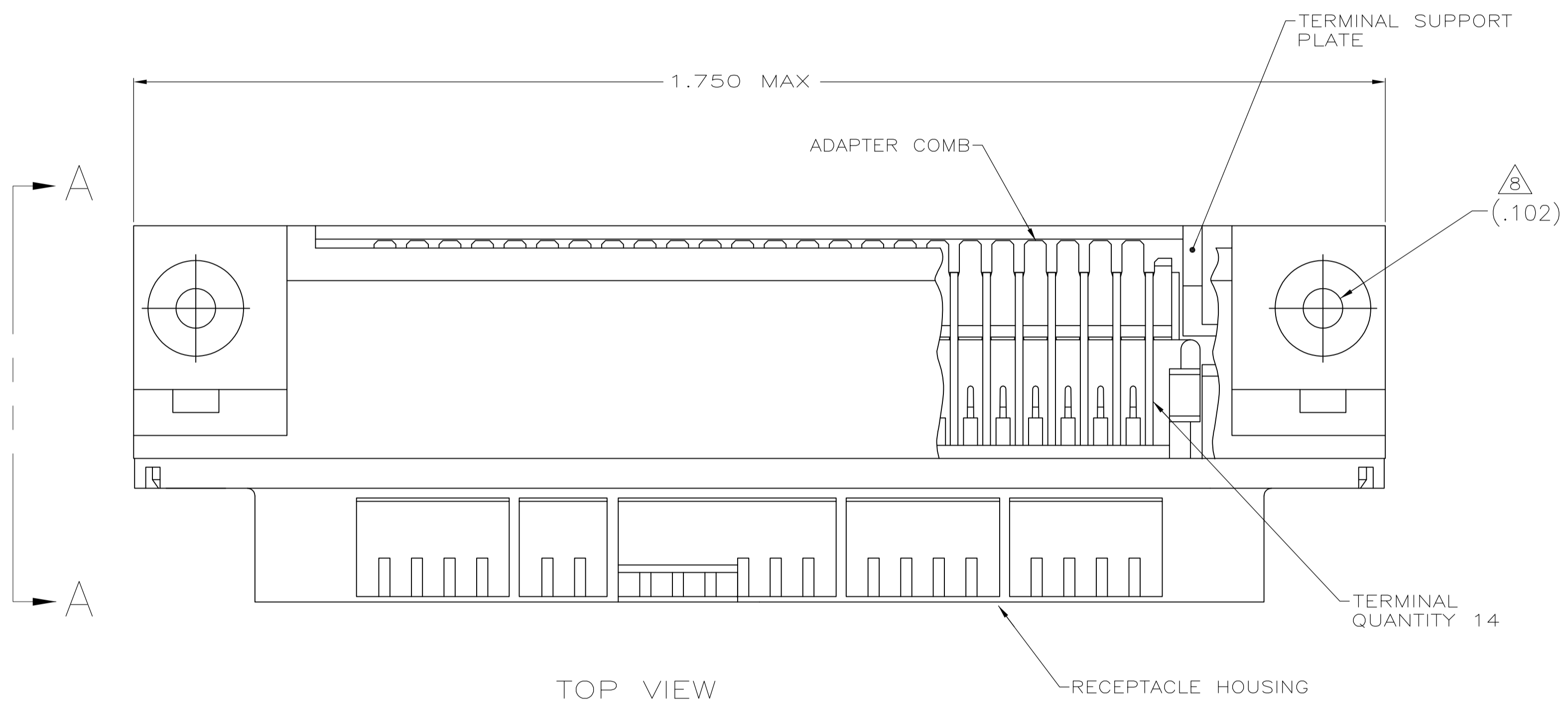


SUGGESTED REAR PANEL MOUNTING CUTOUT DIMENSIONS
 SCALE 2:1

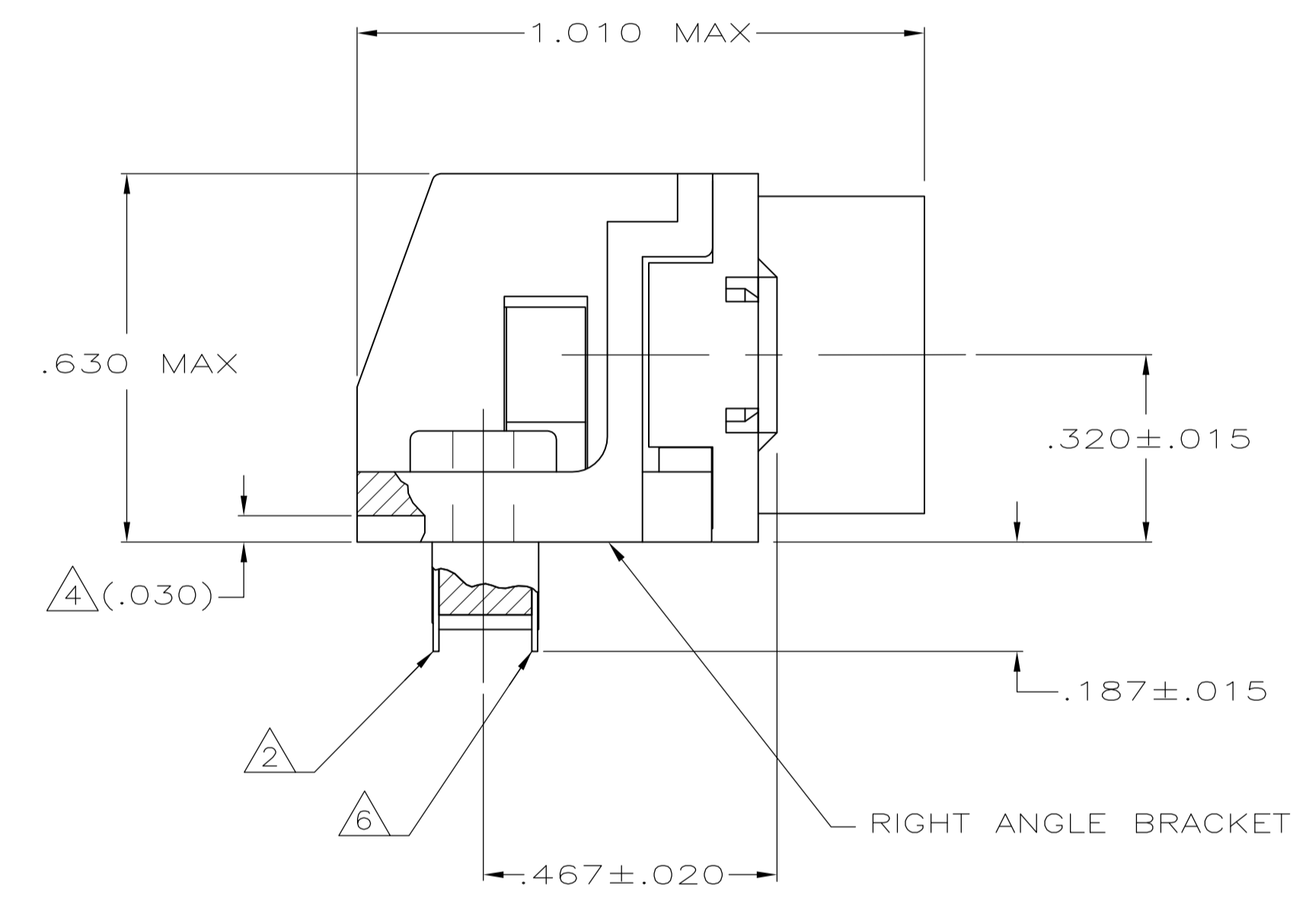


SUGGESTED PRINTED CIRCUIT BOARD MOUNTING DIMENSIONS
 SCALE 2:1

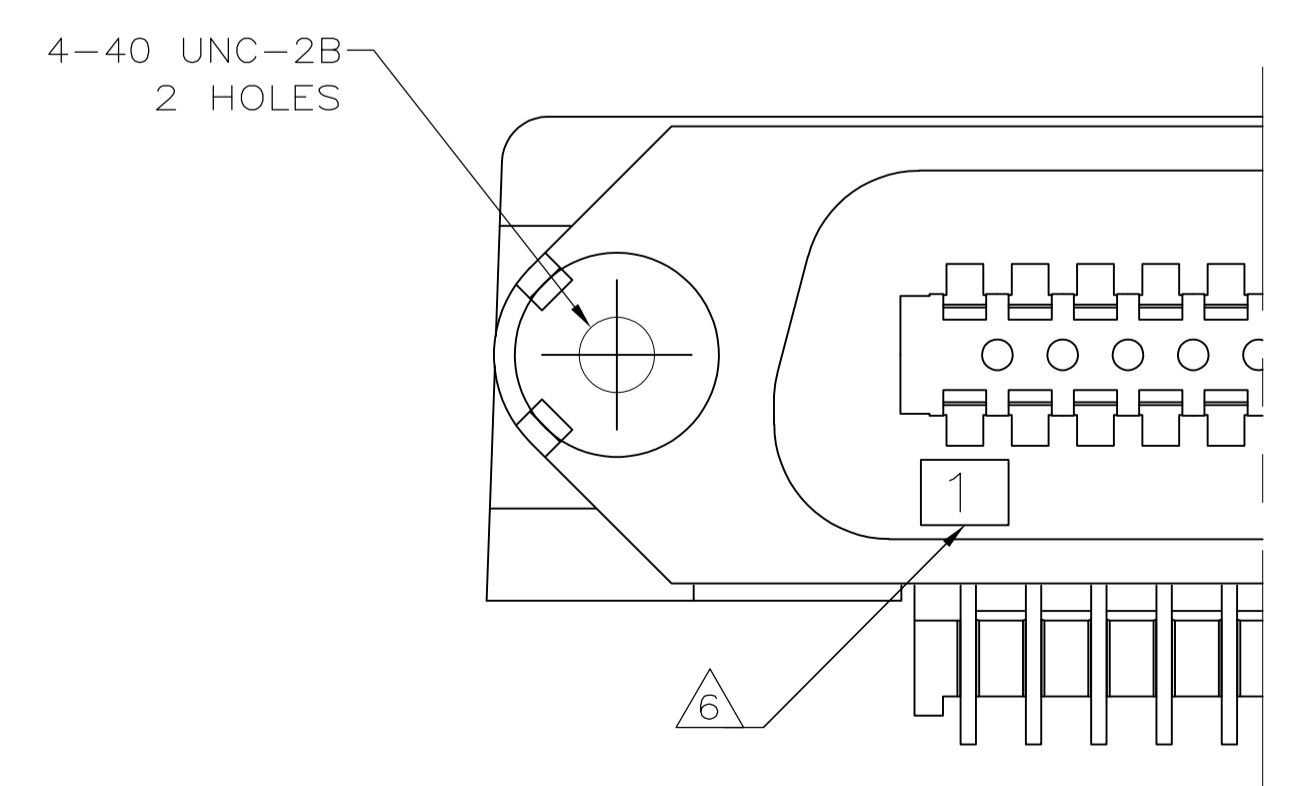
- 1 MATERIAL: HOUSING, BRACKET, PLATE & COMB - THERMOPLASTIC, BLACK, 94V-0 RATED. TERMINALS - HIGH STRENGTH COPPER ALLOY PLATED WITH EITHER .000030 MIN GOLD PLATE OR GOLD FLASH OVER PALLADIUM NICKEL PLATE, .000030 MIN TOTAL ON MATING SURFACE. .000120 MIN TIN PLATE ON TAILS. ALL OVER .000050 MIN NICKEL UNDERPLATE OVER ENTIRE TERMINAL.
- 2 TERMINAL 1 IS LOCATED IN THIS ROW FOR STANDARD ORIENTATION, 5552738-1 ONLY.
- 3 MAXIMUM DIMENSION FOR REAR PANEL MOUNTING.
- 4 TERMINAL SUPPORT PLATE CLEARANCE FOR TERMINAL STRAIN RELIEF AND FLUX REMOVAL.
- 5 MAXIMUM PANEL THICKNESS: .062.
- 6 TERMINAL 1 IS LOCATED IN THIS ROW FOR REVERSE ORIENTATION, 5552738-2 ONLY.
- 7 DETAILS "A" AND "B" ARE VIEWED FROM MATING SIDE OF RECEPTACLE ASSEMBLY.
- 8 FOR USE WITH A NO.4 BT TYPE SELF-TAPPING SCREW.
- 9 OBSOLETE PARTS: OBSOLETE CIS STREAMLINING PER D.RENAUD/D.SINISI



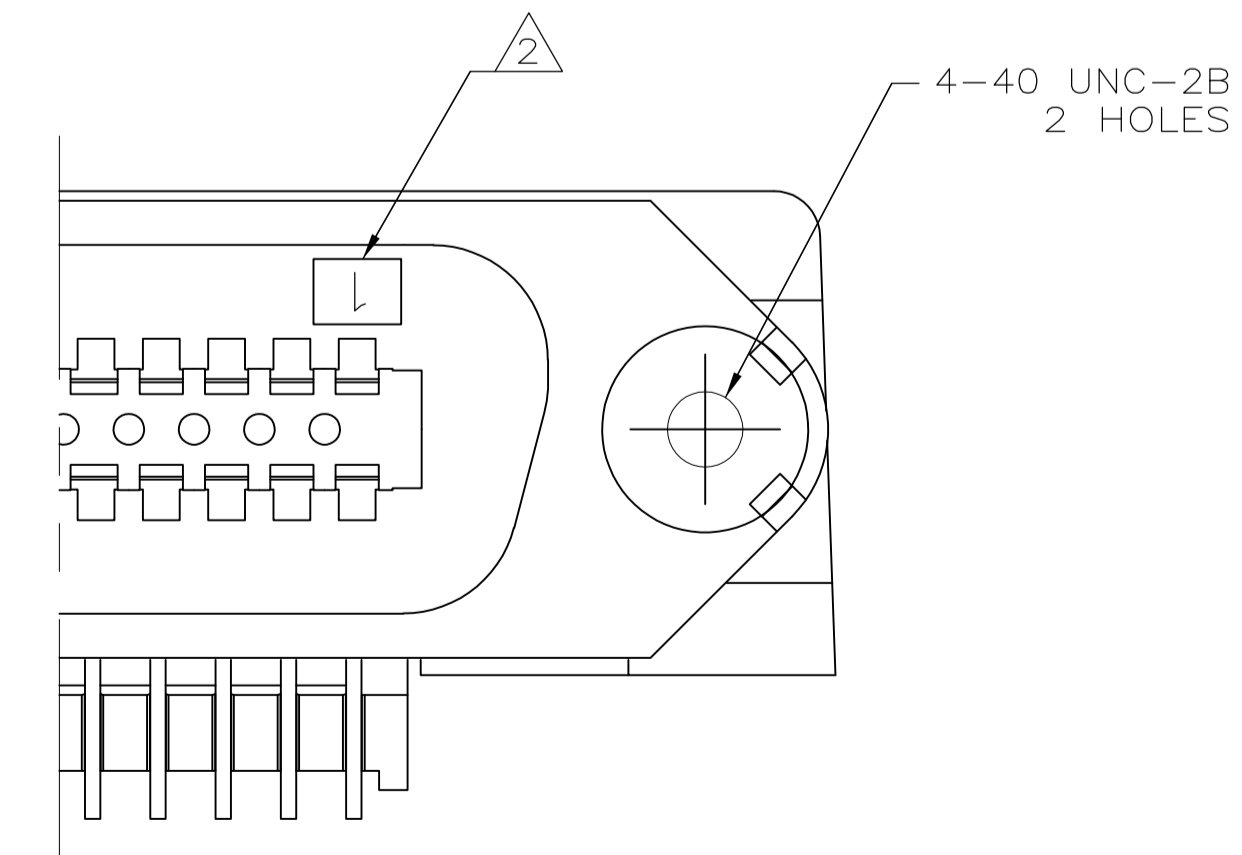
TOP VIEW



SIDE VIEW A-A



DETAIL B
 REVERSE ORIENTATION



DETAIL A
 STANDARD ORIENTATION

9 OBSOLETE	SELF TAPPING	SEE DETAIL B	-5552738-2
	SELF TAPPING	SEE DETAIL A	5552738-1
	TYPE OF MOUNTING	DESCRIPTION	PART NUMBER
THIS DRAWING IS A CONTROLLED DOCUMENT.		Tyco Electronics Corporation	
DIMENSIONS: INCHES		Tyco Electronics Corporation	
TOLERANCES UNLESS OTHERWISE SPECIFIED:		Harrisburg, PA 17105-3608	
0. PLC	± .005	RECEPTACLE ASSEMBLY, 14 POSITION, RIGHT ANGLE, PRINTED CIRCUIT BOARD, (CHAMP-LOK, SELF TAPPING)	
1. PLC	± .005	SIZE: A1	
2. PLC	± .005	CAGE CODE: 00779	
3. PLC	± .005	DRAWING NO: 5552738	
4. PLC	± .005	RESTRICTED TO: REV B1	
ANGLES	± .005	SCALE: 4:1 SHEET: 1 OF 1	
MATERIAL	FINISH	CUSTOMER DRAWING	