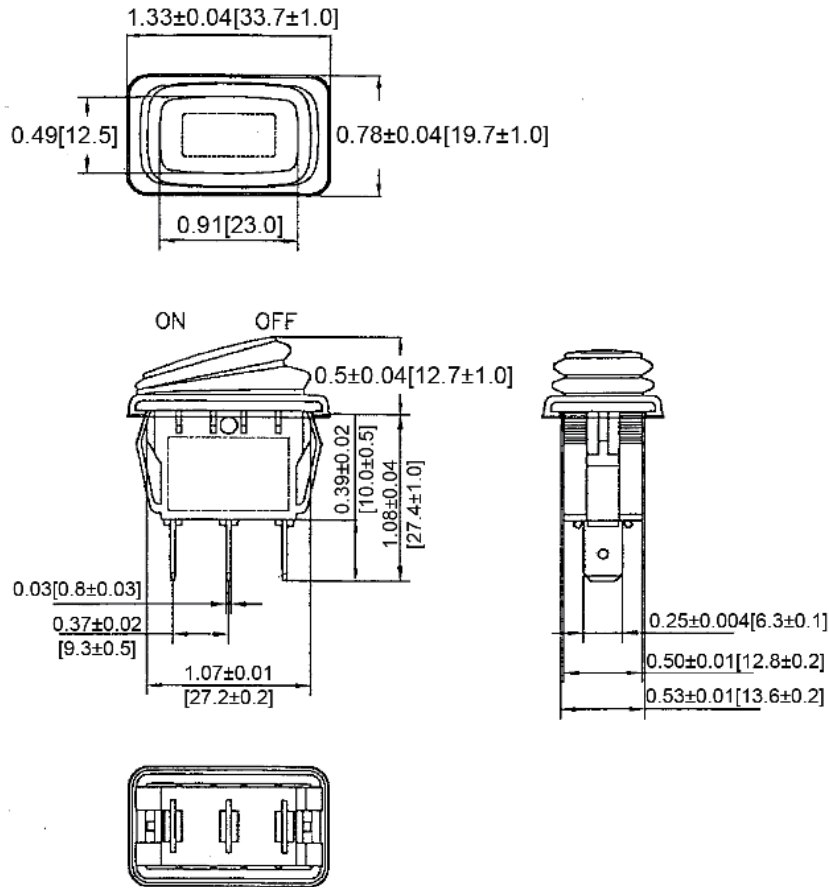
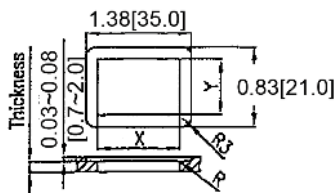


Mechanical Dimensions: Inches [mm]

Tolerances ± 0.012 [0.3] Unless Otherwise Specified



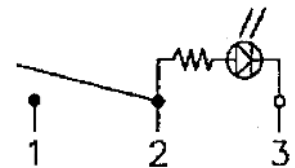
Mounting Hole



Thickness	X	Y
0.03~0.1 [0.75~2.5]	1.09 [27.6-0.1]	0.5 [13.8+0.1]
0.1~0.14 [2.5~3.5]	1.09 [27.8-0.1]	0.5 [13.8+0.1]
0.14~0.18 [3.5~4.5]	1.10 [28.0-0.1]	0.5 [13.8+0.1]

Circuit Diagram

3P SPST OFF-ON (LED-D)



Electrical Specifications

Rating	16A 12VDC	Frame	Black, Nylon 66
Contact Resistance	50m ohm Max.	Actuator	Red, Nylon#66+30%GF
Insulation Resistance	DC 500V 100M ohm Min.	Terminals	1,2: Copper alloy, Silver plated 3: Brass alloy
Dielectric Strength	AC 1500V 1 minute	LED	Red (Dependent)
Operation Temperature	-25° C-85° C	Waterproof	IP65, Black Silicone Rubber

Rev	Date of issue	Revision Notes	Designed	Approved
B	05-04-2020	Initial Drawing	RC	OF