

REVISIONS

P	LTR	DESCRIPTION	DATE	DWN	APVD
A		PARTS RLEESED FOR PRODUCTION	10JAN2019	RK	PS

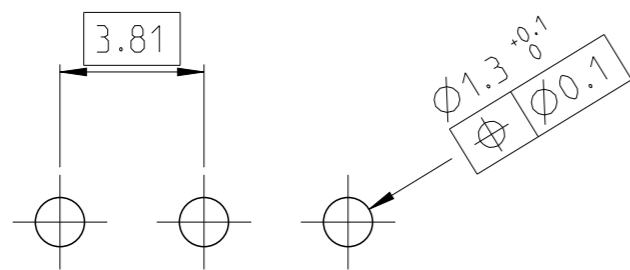
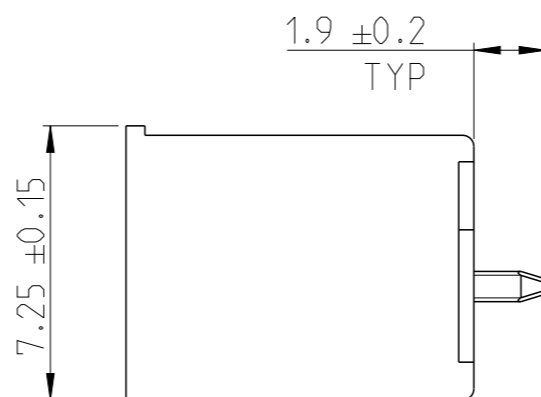
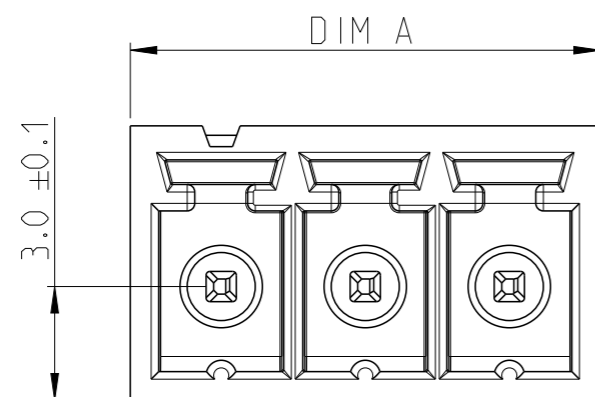
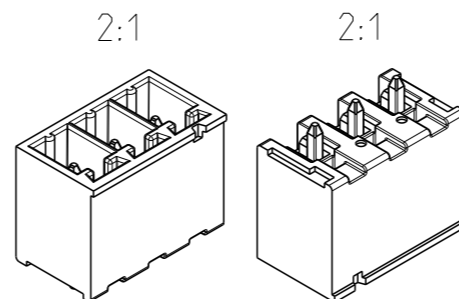
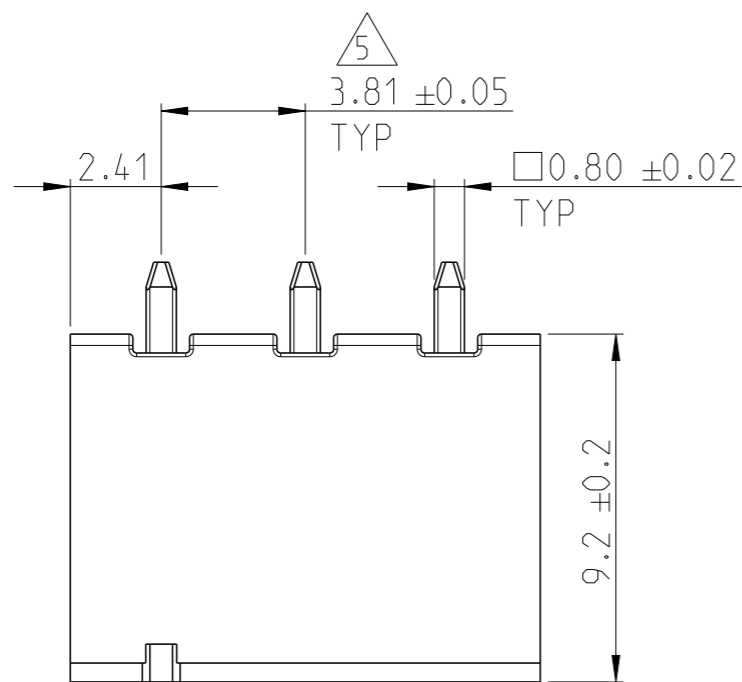
NOTES:

- MATERIAL AND FINISH:
HOUSING : HIGH TEMPERATURE POLYAMIDE, UL94V-0
COLOR BLACK.
TERMINAL : COPPER ALLOY, TIN PLATED.
- MECHANICAL
PLUG MAX. INSERTION FORCE PER POLE : 3.0 N
PLUG MIN. WITHDRAWAL FORCE PER POLE : 1.5 N
MIN. PC BOARD HOLES DIAMETER : 1.3 mm
MAX. PC BOARD THICKNESS : 1.6 mm
- ELECTRICAL
MAX. VOLTAGE : 300 V
MAX CURRENT : 11 A
CONTACT RESISTANCE : <15 m Ohm
INSULATION RESISTANCE : >1000 M Ohm (500V DC)

4. OPERATING TEMPERATURE RANGE: -40°C TO +105°C

5 NOT CUMULATIVE TOLERANCE.

6. PARTS ARE PACKED IN BOX.



RECOMMENDED PC BOARD LAYOUT

96.25	25	2-2342078-5
92.44	24	2-2342078-4
88.63	23	2-2342078-3
84.82	22	2-2342078-2
81.01	21	2-2342078-1
77.20	20	2-2342078-0
73.39	19	1-2342078-9
69.58	18	1-2342078-8
65.77	17	1-2342078-7
61.96	16	1-2342078-6
58.15	15	1-2342078-5
54.34	14	1-2342078-4
50.53	13	1-2342078-3
46.72	12	1-2342078-2
42.91	11	1-2342078-1
39.10	10	1-2342078-0
35.29	9	2342078-9
31.48	8	2342078-8
27.67	7	2342078-7
23.86	6	2342078-6
20.05	5	2342078-5
16.24	4	2342078-4
12.43	3	2342078-3
8.62	2	2342078-2
DIM A	NO. OF POS	PART NUMBER

THIS DRAWING IS A CONTROLLED DOCUMENT.

DIMENSIONS: mm	TOLERANCES UNLESS OTHERWISE SPECIFIED: 0 PLC ±0.3 1 PLC ±0.25 2 PLC ±0.25 3 PLC ±0.25 4 PLC ±0.25 ANGLES ±2°	DWN 14DEC2018 RAGHAVENDRA.K CHK 19DEC2018 KARTHIK.JK APVD 19DEC2018 PRASHANTH PRODUCT SPEC APPLICATION SPEC WEIGHT -	NAME HEADER STRAIGHT, HIGH TEMPERATURE, 3.81MM PITCH, TAIL LENGTH 1.9mm
MATERIAL SEE NOTES	FINISH SEE NOTES	SIZE A3 CAGE CODE 00779 DRAWING NO C-2342078	RESTRICTED TO -
CUSTOMER DRAWING		SCALE 5:1	SHEET 1 OF 1 REV A

