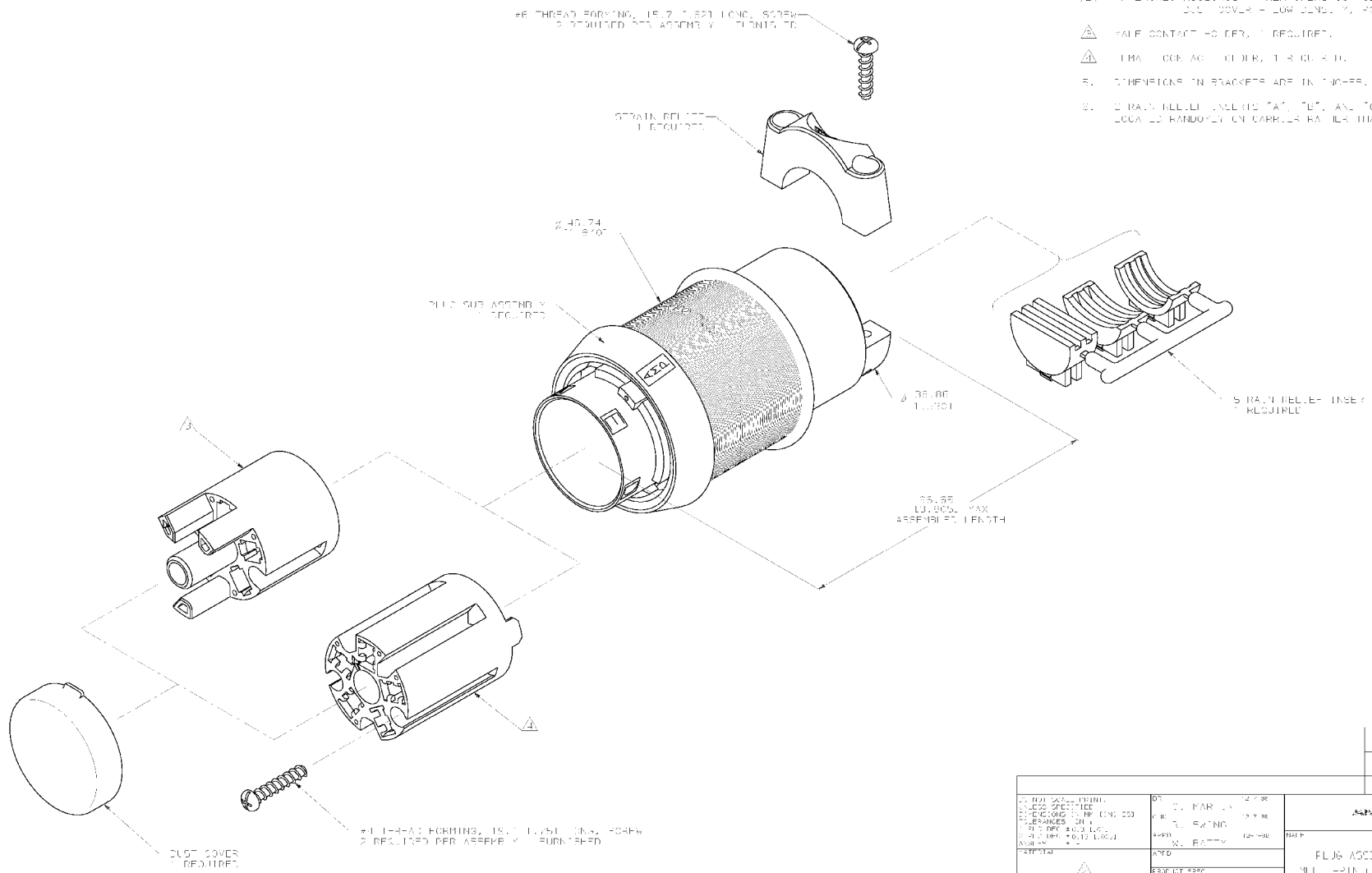


1. ALL PARTS REQUIRED PER ASSEMBLY UNLESS OTHERWISE SPECIFIED.
2. STRAIN RELIEF SHALL BE MOUNTED TO POLYESTER, BLACK DUST COVER - LOW CONDUCTIVITY POLYMER FILLED.
3. WAFER CONTACT TO PCB IS REQUIRED.
4. STRAIN RELIEF SHALL BE MOUNTED TO POLYESTER, BLACK DUST COVER - LOW CONDUCTIVITY POLYMER FILLED.
5. DIMENSIONS IN BRACKETS ARE IN TOLERANCE.
6. STRAIN RELIEF SHALL BE MOUNTED TO POLYESTER, BLACK DUST COVER - LOW CONDUCTIVITY POLYMER FILLED.



REV	DATE	BY	DESCRIPTION
01	08-11-10

CONTROL SPECIFICATION: CLASS SPECIFICATION: DIMENSIONS TO THE END OF DIMENSION LINES UNLESS OTHERWISE SPECIFIED. DIMENSIONS IN BRACKETS ARE IN TOLERANCE. UNLESS OTHERWISE SPECIFIED, ALL DIMENSIONS ARE IN MILLIMETERS.	DS: 01 PART 15-100 CR: 01 PART 15-100 APP: 01 PART 15-100	PART NAME: PLUG ASSEMBLY KIT, 3 CONTACT, 1.5MM PIN CIRCULAR POWER CONNECTOR
MATERIAL: PROJECT NAME:	PART NUMBER: PART NAME:	SIZE: 00775 SCALE: 1:1 DRAWING NO: 770486 REV: 01

