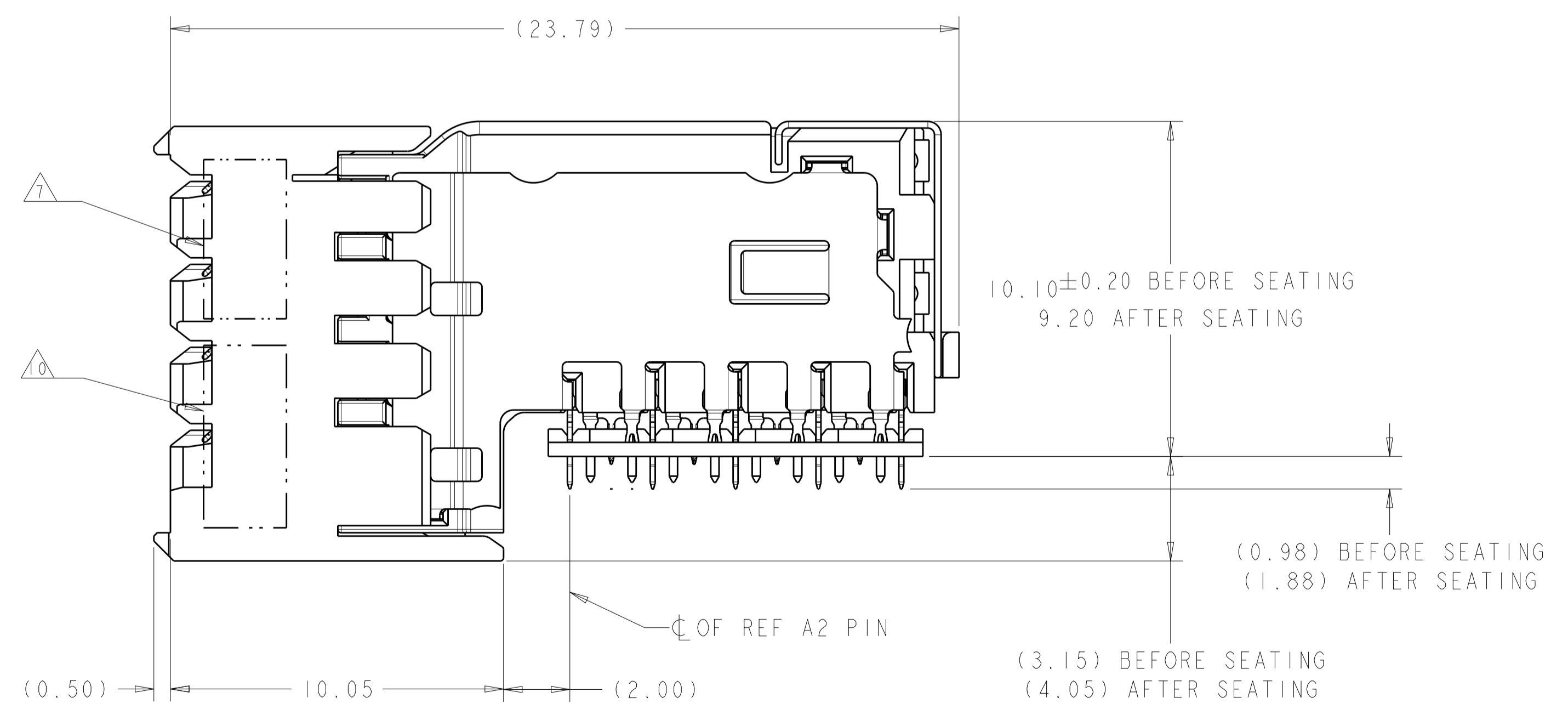
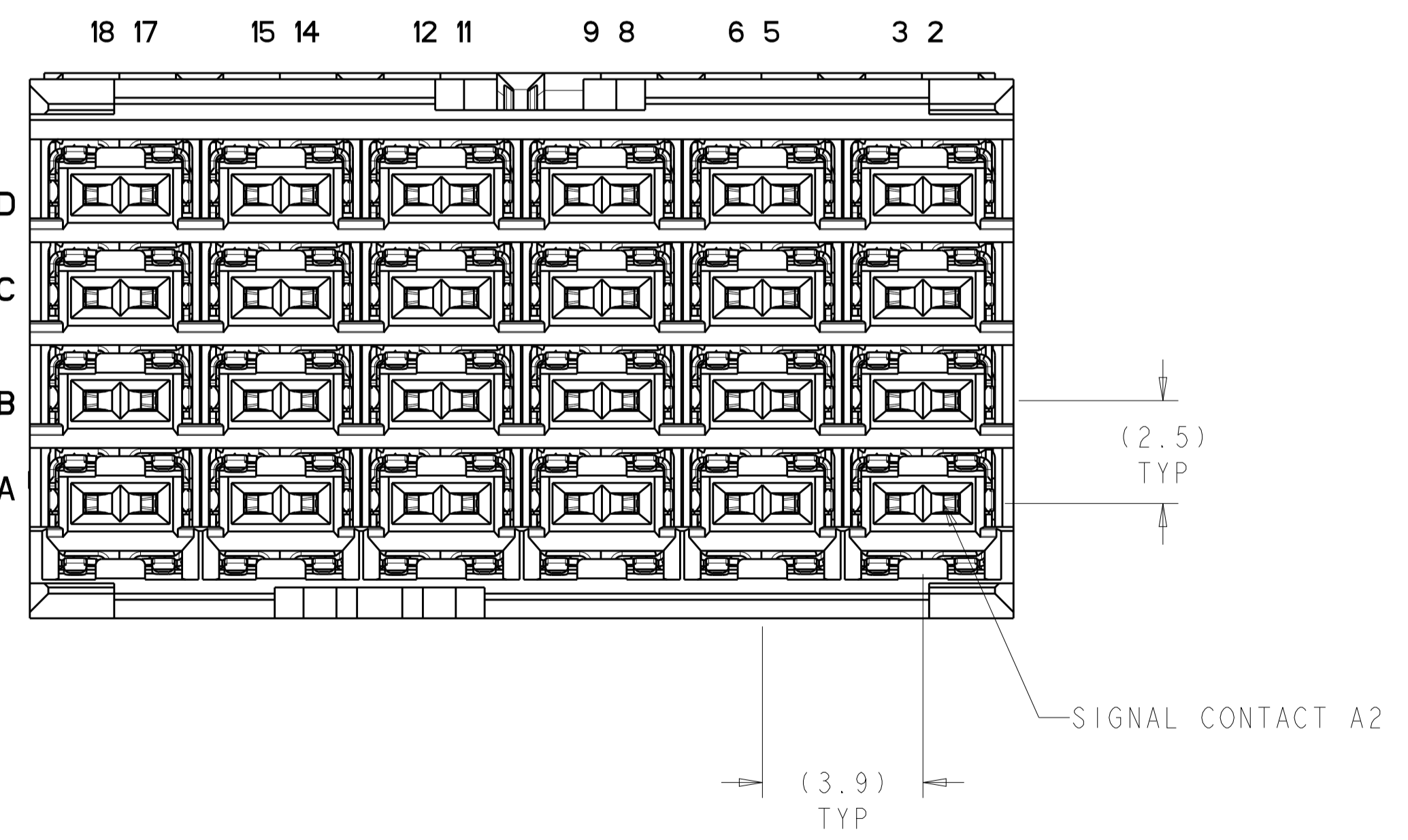
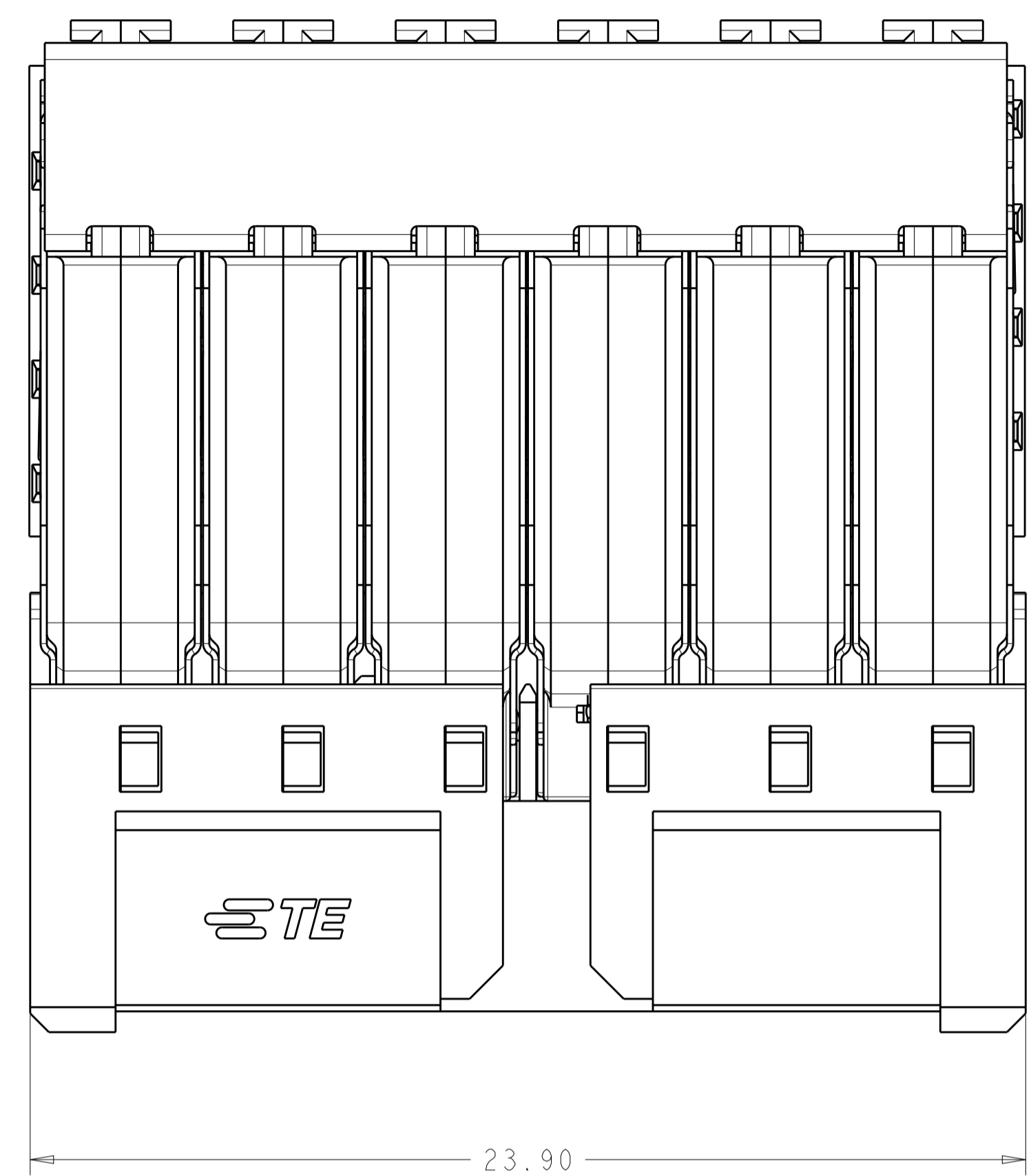


LOC	DIST	REV	DATE	BY	CHK	APPV
A		REVIS	02FEB2016	AP	RP	
B		REVIS	13MAY2016	AP	RP	
C		REVIS	14MAR2017	AP	RP	
D		REVIS	27AUG2018	AP	RP	

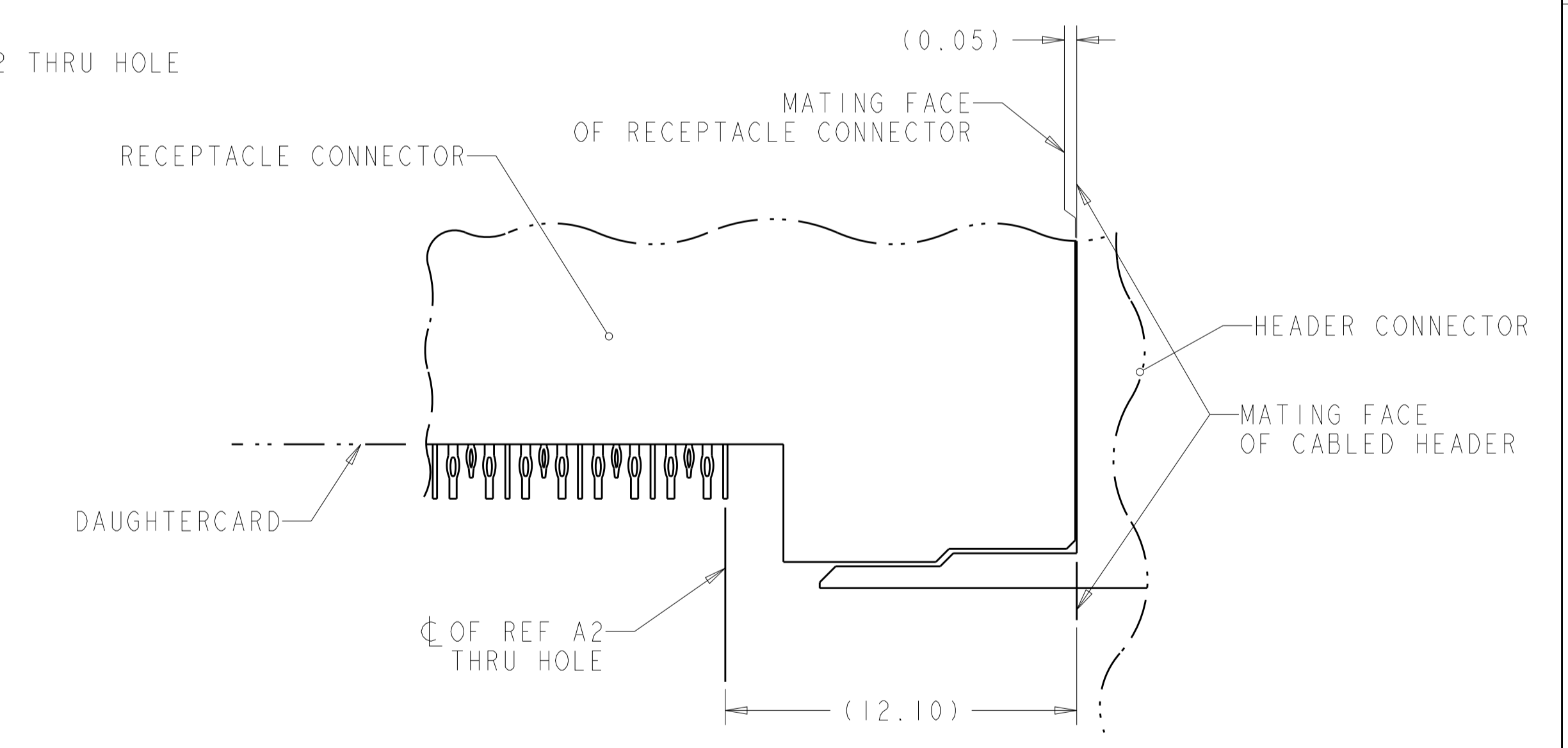
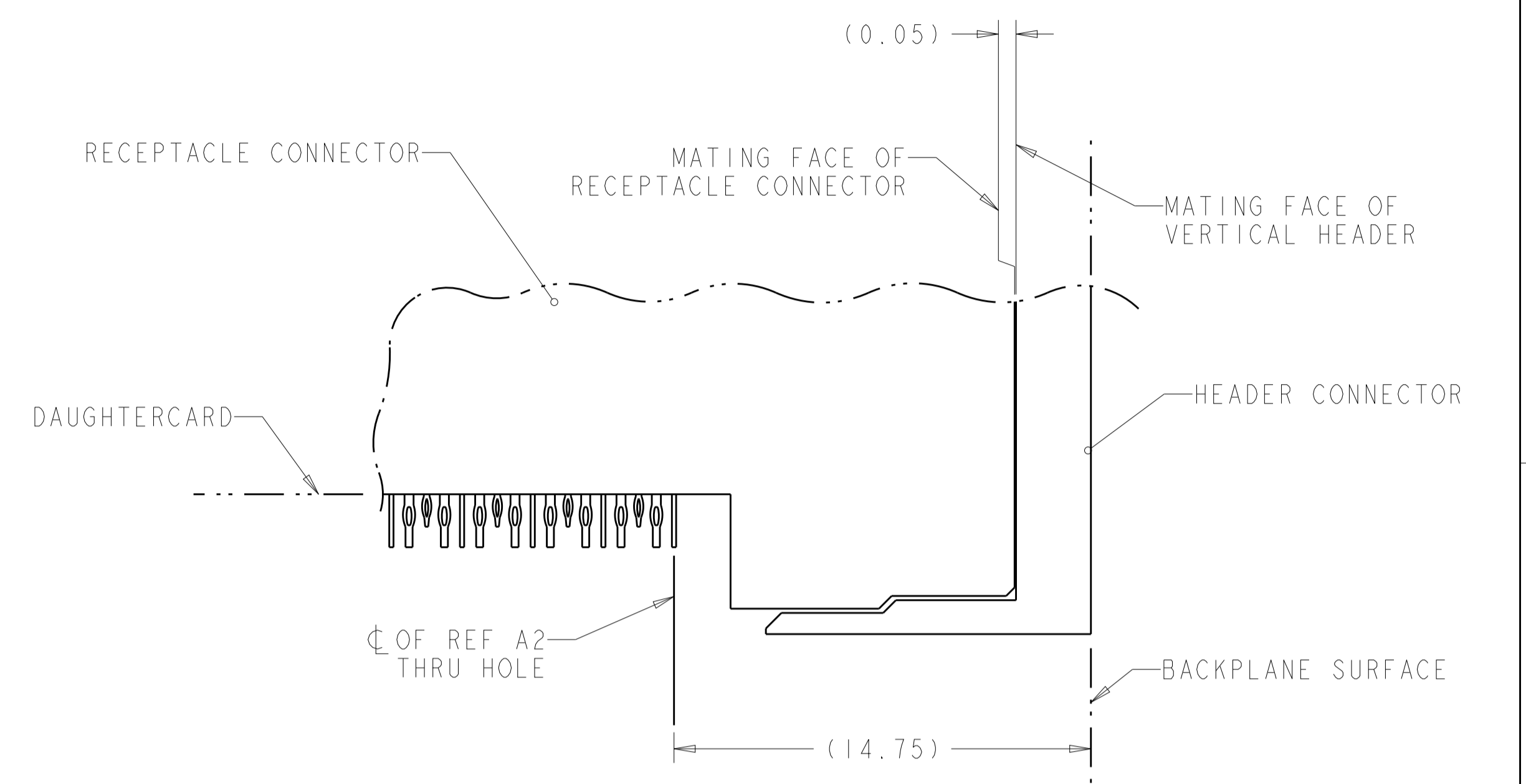
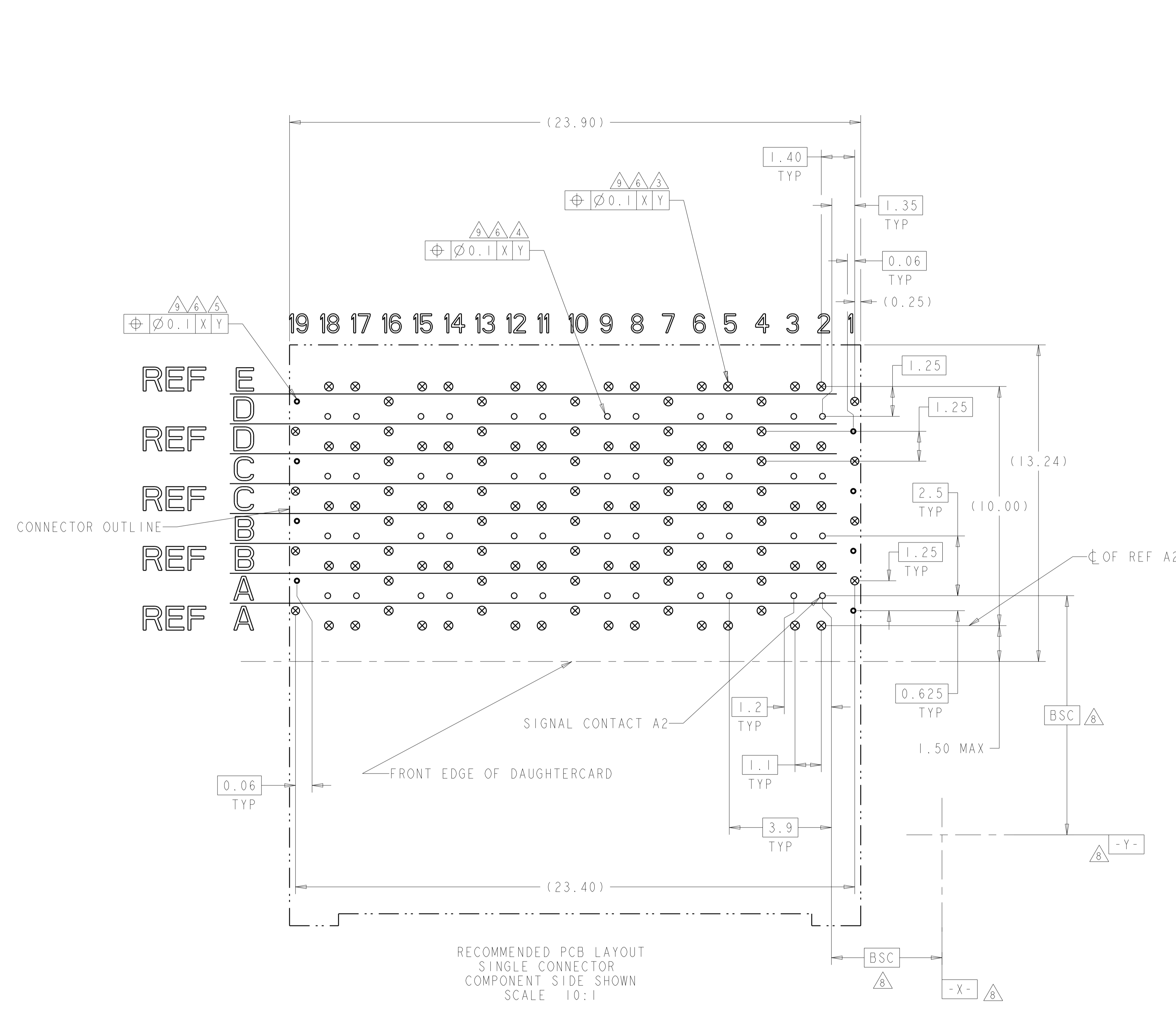


- 1 MATERIAL:  
CONTACT AND SHIELD - COPPER ALLOY.  
ORGANIZER - STAINLESS STEEL.  
HOUSING, GROUND SHIELD HOUSING AND PIN SPACER - THERMOPLASTIC.
- 2 FINISH:  
- CONFORMS TO THE REQUIREMENTS OF TE PRODUCT SPECIFICATION 108-32021  
BASED ON TELCORDIA GR-1217-CORE FOR SYSTEM QUALITY LEVEL III,  
APPLICATIONS IN CONTROLLED ENVIRONMENTS (CENTRAL OFFICE).  
- COMPLIANT PIN AREA: 0.5µm MIN MATTE TIN.
- 3 GROUND PLATED THRU HOLE REQUIREMENTS:  
FINISHED HOLE =  $\varnothing 0.34 \pm 0.05$   
HOLE SIZE PRIOR TO PLATING =  $\varnothing 0.420 \pm 0.025$   
COPPER THICKNESS = 0.025 MIN  
IMMERSION TIN IF APPLICABLE = 0.00095 REF
- 4 SIGNAL PLATED THRU HOLE REQUIREMENTS:  
FINISHED HOLE =  $\varnothing 0.24 \pm 0.04$   
HOLE SIZE PRIOR TO PLATING =  $\varnothing 0.320 \pm 0.025$   
COPPER THICKNESS = 0.025 MIN  
IMMERSION TIN IF APPLICABLE = 0.00095 REF
- 5 SI VIA PLATED THRU HOLE REQUIREMENTS:  
HOLE SIZE PRIOR TO PLATING = 0.300 +/- 0.025  
COPPER THICKNESS = MIN REQUIRED TO MEET REQUIRED ELECTRICAL PERFORMANCE
- 6 SI VIAS & SIGNAL HOLES:  
PTH DIMENSIONS APPLY TO THE TOP 1.00mm OF THE PCB THICKNESS FROM THE CONNECTOR MOUNTING SIDE.  
GROUND HOLES:  
PTH DIMENSIONS APPLY TO THE TOP 1.25mm OF THE PCB THICKNESS FROM THE CONNECTOR MOUNTING SIDE.
- 7 CONNECTOR MARKED WITH PART NUMBER, DATE CODE, AND "100 OHM" IN APPROXIMATE AREA SHOWN.
- 8 DATUMS AND BASIC DIMENSIONS ESTABLISHED BY CUSTOMER
- 9 APPLIES TO FINISHED HOLE DIAMETER.
- 10 DATAMATRIX BARCODE MARKING IN THIS AREA.

2187658-1  
PART NO

THIS DRAWING IS A CONTROLLED DOCUMENT.		OWN: J. McCLINTON 07DEC2015	TE Connectivity
DIMENSIONS: mm		CHK: R. PATTERSON 07DEC2015	
TOLERANCES UNLESS OTHERWISE SPECIFIED:		APPV: R. PATTERSON 07DEC2015	NAME: RIGHT ANGLE RECEPTACLE ASSEMBLY, 4 PAIR, 6 COLUMN, 100 OHM PAIR IN ROW, STRADA WHISPER
0 PLC ±	1 PLC ±	PRODUCT SPEC	SIZE: A1
2 PLC ± 0.13	3 PLC ±	APPLICATION SPEC	CAGE CODE: 00779
4 PLC ±	ANGLES ±	WEIGHT	DRAWING NO: 2187658
MATERIAL: 1	FINISH: 2	CUSTOMER DRAWING	SCALE: 8:1
		SHEET 1 OF 2	REV D

LOC	DIST	REV	DATE	BY	APPV
		1	SEE SHEET 1		



THIS DRAWING IS A CONTROLLED DOCUMENT.		OWN J. McCLINTON 07DEC2015	TE Connectivity
DIMENSIONS:		CHK R. PATTERSON 07DEC2015	
mm	TOLERANCES UNLESS OTHERWISE SPECIFIED:	APV R. PATTERSON 07DEC2015	NAME RIGHT ANGLE RECEPTACLE ASSEMBLY, 4 PAIR, 6 COLUMN, 100 OHM PAIR IN ROW, STRADA WHISPER
0 PLC	±	PRODUCT SPEC	SIZE
1 PLC	±	APPLICATION SPEC	CAGE CODE
2 PLC	± 0.13	WEIGHT	DRAWING NO
3 PLC	±	CUSTOMER DRAWING	RESTRICTED TO
4 PLC	±	SCALE 1:1	SHEET 2 OF 2
5 PLC	±	REV D	
ANGLES	±		
MATERIAL			
FINISH			