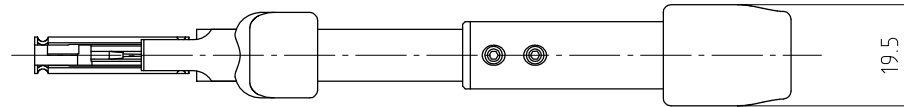
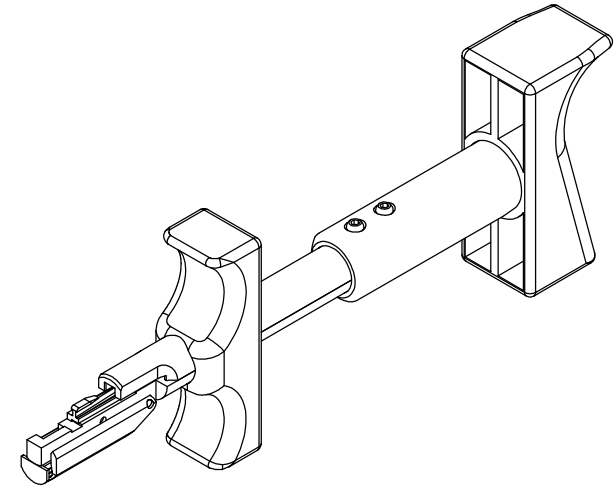
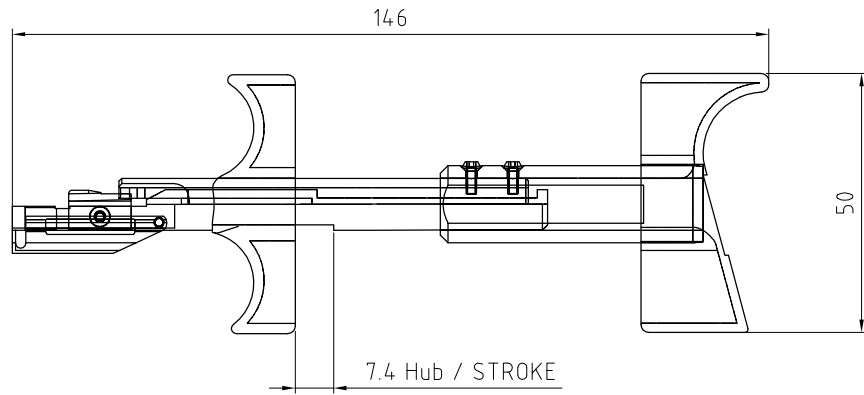


THIS DRAWING IS UNPUBLISHED.

RELEASED FOR PUBLICATION

© COPYRIGHT - BY TYCO ELECTRONICS CORPORATION. ALL INTERNATIONAL RIGHTS RESERVED.

LDC		DIST		REVISIONS			
P	LTR	DESCRIPTION		DATE	DWN	APVD	
	E	ECR-11-017476		23AUG11	MS	TW	



Mandrels: 654633-1 AWG24/20

Customer manual: 411-18509

Mandrels müssen separat bestellt werden.
Mandrels have to be ordered separately.

THIS DRAWING IS A CONTROLLED DOCUMENT.		DWN M.Strecker	23AUG11	STE TE Connectivity		
		CHK T.Weissgerber	23AUG11			
DIMENSIONS: mm		TOLERANCES UNLESS OTHERWISE SPECIFIED:		NAME		
		0 PLC	± -	108-19028		
		1 PLC	± -	108-2019		
		2 PLC	± -	A3		
		3 PLC	± -	00779		
		4 PLC	± -	C=654632-1		
		ANGLES	± -	DRAWING NO		
MATERIAL		FINISH		RESTRICTED TO		
				-		
CUSTOMER DRAWING				SCALE 1:1	SHEET 1 OF 1	REV E