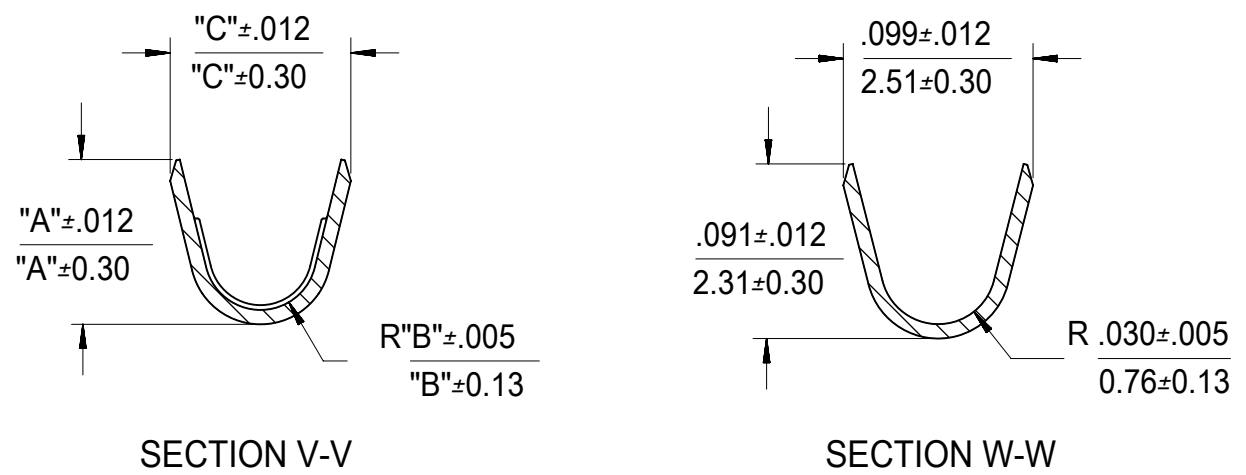
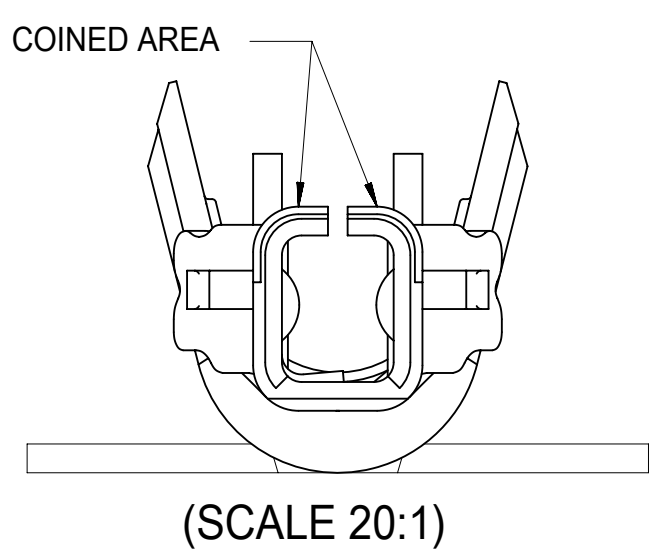
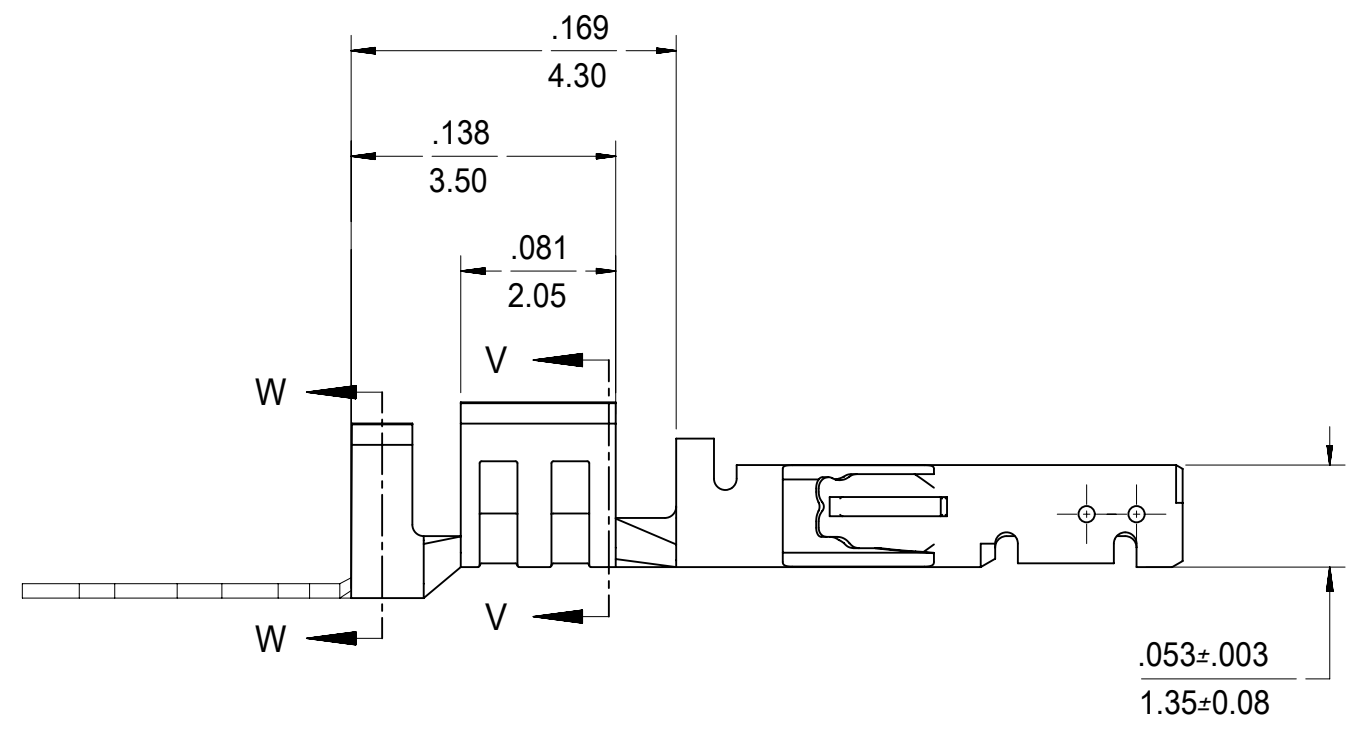
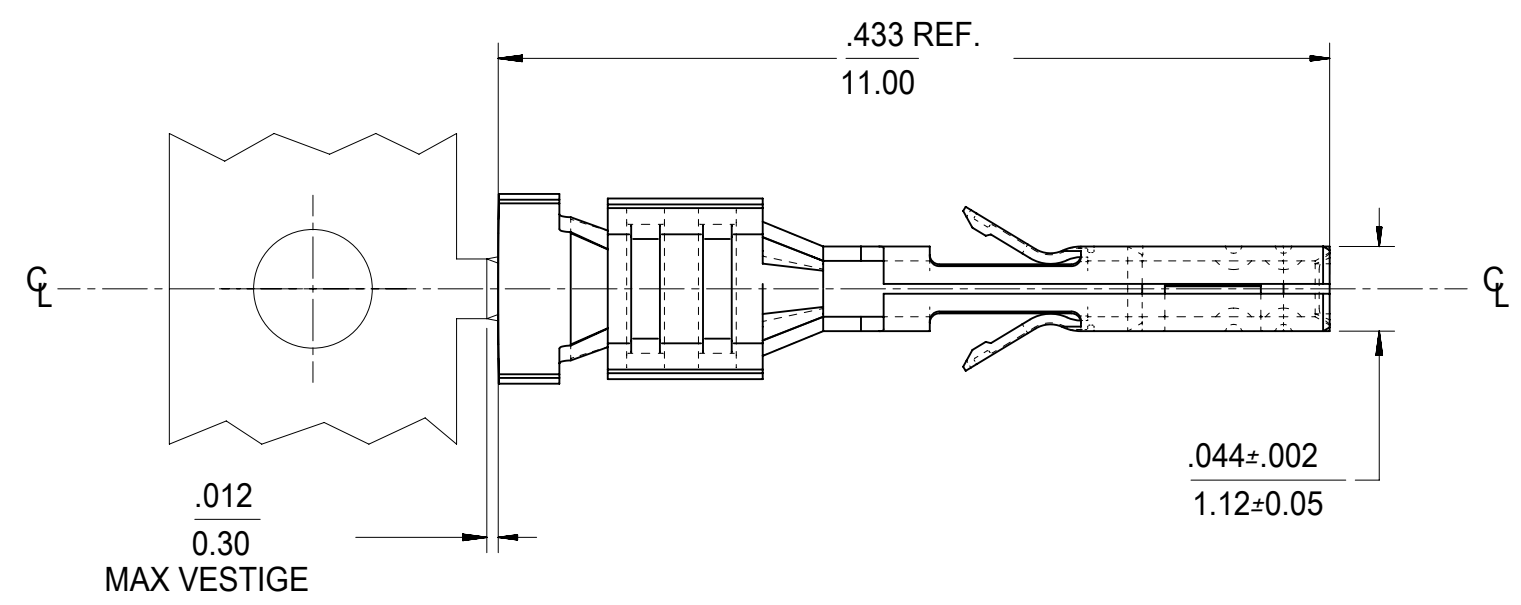


MATERIAL NUMBER	PLATING	WIRE SIZE	FORM	MAX INSULATION OUTSIDE DIA.	"A"	"B"	"C"
45807-0003	A	18 SEE NOTE 9	CHAIN	$\frac{.073}{1.85}$	$\frac{.086}{2.18}$	$\frac{.029}{0.74}$	$\frac{.094}{2.39}$
45807-0004	A	20	CHAIN	$\frac{.073}{1.85}$	$\frac{.075}{1.91}$	$\frac{.025}{0.64}$	$\frac{.082}{2.08}$



- NOTES
- 1) MATERIAL: HSM COPPER
 - 2) TERMINAL PLATING:
"A" - .000100/0.00254 MIN BRIGHT TIN OVER
.000050/0.00127 MIN NICKEL PLATE
 - 3) PRODUCT SPECIFICATION: PS-45807-001
 - 4) PACKAGING SPECIFICATION: PK-45807-001 (REEL)
 - 5) TERMINAL FOR USE IN A MICRO FIT RECEPTACLE 43025-****, 43645-****, AND 44133-****.
 - 6) FOR TERMINAL ORIENTATION IN RECEPTACLE SEE DRAWING SDA-43025-****, SDA-43645-****, OR AS-44133-001.
 - 7) THIS TERMINAL IS DESIGNED IN METRIC.
 - 8) MOLEX RECOMMENDS THE USE OF MICRO-FIT TEST PLUG (SERIES 44242) WHENEVER CONTINUITY TESTING IS PERFORMED. TEST PLUGS MUST NOT BE USED TO MAKE OR BREAK UNDER LOAD. MOLEX DOES NOT RECOMMEND USING STANDARD MATING COMPONENTS (SERIES 43020, 43045, 43640, 43650, OR 43031) FOR HARNESS TESTING PURPOSES.
 - 9) PART NUMBER 45807-0003 IS DESIGNED FOR 18 AWG 1061 STYLE WIRE OR A .073/1.85 MAXIMUM INSULATION OUTSIDE DIAMETER.



SYMBOLS = 0 = 0 = 0 = 0 = 0 = 0 = 0 = 0 = 0 = 0	THIS DRAWING CONTAINS INFORMATION THAT IS PROPRIETARY TO MOLEX ELECTRONIC TECHNOLOGIES, LLC AND SHOULD NOT BE USED WITHOUT WRITTEN PERMISSION		DIMENSION UNITS IN/MM		SCALE 10:1		CURRENT REV DESC: REVISED TITLE									
	GENERAL TOLERANCES (UNLESS SPECIFIED)		EC NO: 616651 DRWN: JBAUMERT 2019/05/03 CHK'D: MKIPPER 2019/05/23 APPR: FSMITH 2019/05/28		INITIAL REVISION: DRWN: NNGUYEN 2015/07/13 APPR: FSMITH 2016/06/08			MICRO-FIT HIGH CURRENT (3.0) FEMALE CRIMP TERMINAL								
	4 PLACES ± ± 3 PLACES ± ± 0.01 2 PLACES ± 0.25 ± 0.014 1 PLACE ± 0.35 ± 0 PLACES ± ±		ANGULAR TOL ± 0.5 °		DRAFT WHERE APPLICABLE MUST REMAIN WITHIN DIMENSIONS			THIRD ANGLE PROJECTION 			PRODUCT CUSTOMER DRAWING					
	DOCUMENT NUMBER SD-45807-001		DOC TYPE PSD		DOC PART 001		REVISION A		MATERIAL NUMBER SEE CHART			CUSTOMER GENERAL MARKET			SHEET NUMBER 1 OF 1	