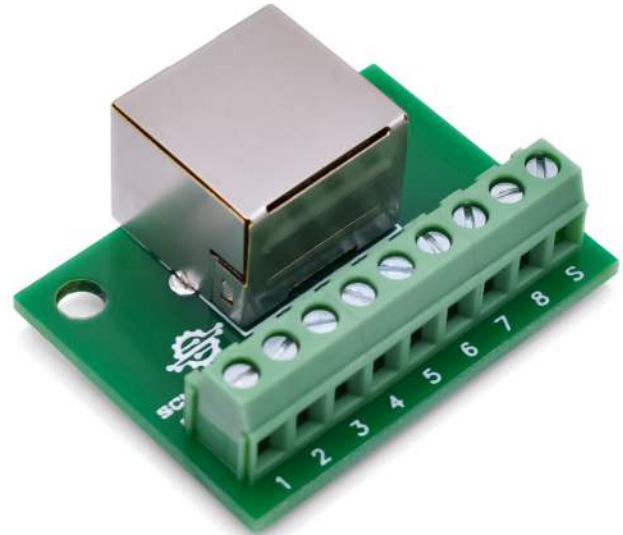


# ST-RJ45-R-MIN

## RJ45 Mini Screw Terminal Breakout Board



- Breaks out all 8 contacts and the shield
- Screw terminals for fast connections
- Compact form factor to fit in tight spaces
- Mounting holes for fixturing

Specifications	
Wire Range (stranded)	16-24 AWG
Wire Range (solid)	16-24 AWG
Connector	8P8C + Shield
PCB Surface Finish	LF HASL
Temperature Rating	-25°C to +70°C

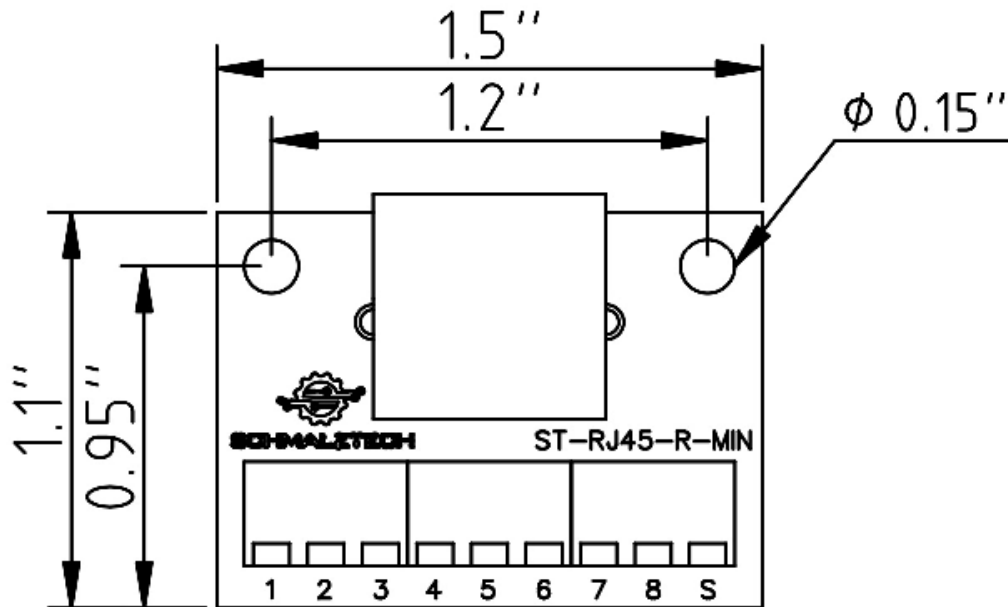
This RJ45 breakout board provides a convenient method of accessing all the contacts of an 8P8C connector, including the shield. Each of the 9 connections are brought out to a screw terminal for fast and secure termination to wires. This board was designed to be as small as possible while still breaking out all of the contacts of the RJ45 connector. This compact form factor will fit in tight spaces and has mounting holes to allow it to be securely fastened ensuring a solid connection.



# ST-RJ45-R-MIN

## RJ45 Mini Screw Terminal Breakout Board

### Mechanical Drawings



### Electrical Connections

Each pin of the RJ45 connector is electrically connected to one screw terminal.



# ST-RJ45 - Ordering Information

ST-RJ45- \_\_\_\_\_ - \_\_\_\_\_

**Form Factor**

- BB: Breadboard
- MIN: Mini
- FT: Rubber Feet
- DIN: DIN Rail Mount
- SPR: Spacers and Screws
- E-CHS: Enclosed Chassis Mount
- E-DIN: Enclosed DIN Rail Mount

**Connector**

- R: Right Angle
- S: Straight

## Ordering

To order please visit [www.schmalztech.io](http://www.schmalztech.io) or one of our distributors to quickly place an online order.

Orders may also be placed by email or phone:

Email: [sales@schmalztech.com](mailto:sales@schmalztech.com)

Phone: +1 (844) 399-9213

## Expedited Shipping

If overnight shipping is required please contact us directly so that we can expedite your order. Overnight shipping is provided through UPS and will incur an additional charge

## Custom Designs

Can't find what you need? We can design and produce a custom board to fit your exact needs. Please reach out to us for additional information and pricing.