



FEATURES

- Large Active Area
- Low Noise
- High Sensitivity
- Custom Gains Available
- Hermetically Sealed TO-39

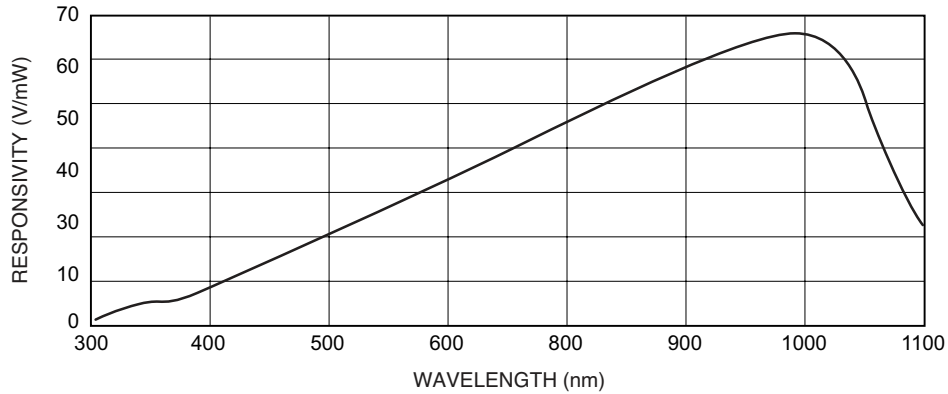
Electro-Optical Characteristics at 23°C

| Parameters | Test Conditions | Min | Typ | Max | Units |
|----------------------------|---|-----|------|---------|------------------------------|
| Dark Offset | $V_s = \pm 15\text{ V}$ | | | ± 1 | mV |
| Dark Offset Noise | $V_s = \pm 15$ BW = 0.1 to 800 kHz | | 477 | 1000 | $\mu\text{V rms}$ |
| Sensitivity | $V_s = \pm 15$ $\lambda = 940\text{ nm}$ | 55 | 63 | | V/mW |
| Frequency Response (-3 db) | $V_s = \pm 15$ $\lambda = 940\text{ nm}$ | 500 | 800 | | kHz |
| NEP | $\lambda = 940\text{ nm}$ | | 6.76 | | $\text{pW}/\sqrt{\text{Hz}}$ |
| Transimpedance Gain | | | 100 | | k Ω |
| Supply Current | $V_s = \pm 15\text{ V}$ | | 6.2 | 7.5 | mA |

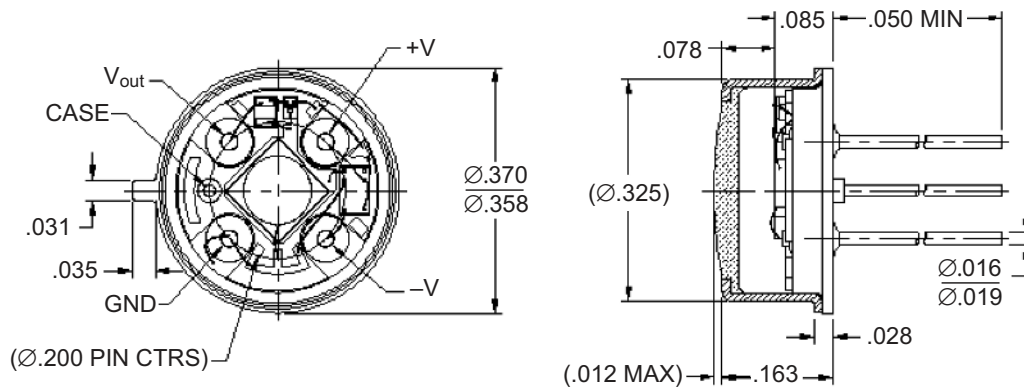
Thermal Parameters

| Parameters | Units |
|---|------------------------------|
| Voltage Supplies | ± 5 to $\pm 15\text{ V}$ |
| Power Dissipation | 225 mW |
| Storage and Operating Temperature | -25 to +100°C |
| Soldering Temperature (1/16" from case for 3 seconds max) | +260°C |

Typical Spectral Response

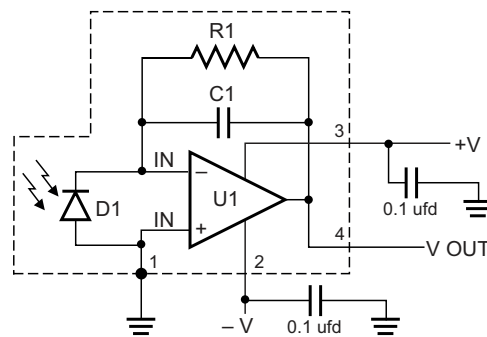


Package Information



SHOWN WITH CAP REMOVED FOR CLARITY

Dimensions are in inch [metric] units.



Specifications are subject to change without prior notice.