

P.C.B LAYOUT

SIGN	DATE	DESCRIPTION
△	09/15/09	Poles is changed from 2p-24p to 4p-24p
△	09/15/09	Drawing NO. is changed from: BV10137 to BV10302
△		

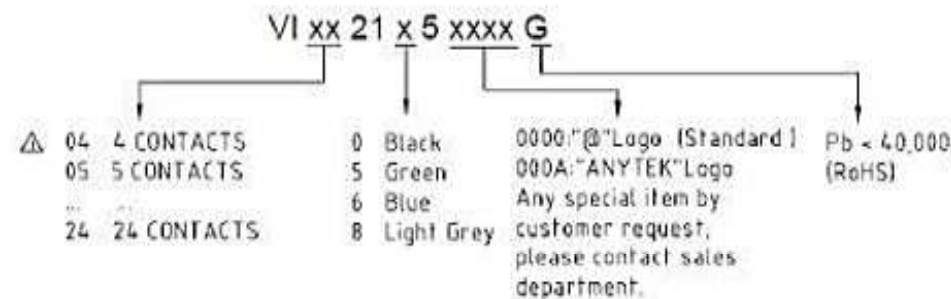
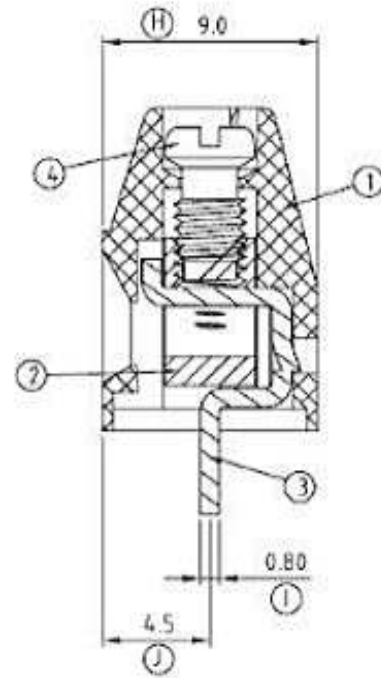
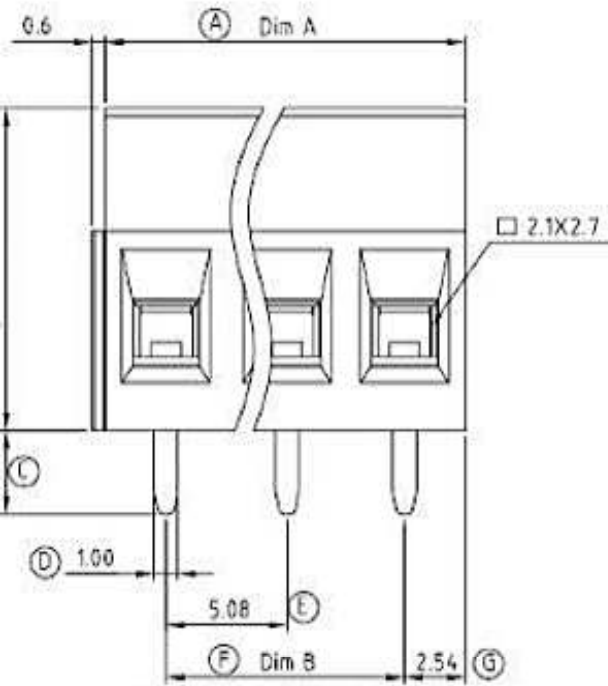
THIS IS CAD DRAWING, DO NOT REVISE MANUALLY!!

Material:

- Item 1 Terminal housing: Thermoplastic (UL 94V-0)
- Item 2 Clamp: Brass ,Ni plated
- Item 3 Wire guard solder pin: Brass ,Tin plated
- Item 4 Terminal screw: Steel Zinc plating"- "slot type

Electrical cULus

- Voltage rating: 300VAC
- Current rating: 16A
- Wire range:
- Solid wire(AWG): 12-28
- Stranded wire(AWG): 12-28
- Torque: 3.5Lb-In
- Screw: M3
- Wire strip length: 6-7mm
- Withstanding Voltage: 16KV
- Operating temperature: -40°C to +115°C
- Soldering temperature: 250°C±10°C/5 Sec
- Safety Approval:



S	02	03	04	05	06	07	08	09	10	11	12	13
A			20.32	25.40	30.48	35.56	40.64	45.72	50.80	55.88	60.96	66.04
			15.24	20.32	25.40	30.48	35.56	40.64	45.72	50.80	55.88	60.96
			±0.10			±0.15			±0.20			
S	14	15	16	17	18	19	20	21	22	23	24	
A	71.12	76.20	81.28	86.36	91.44	96.52	101.60	106.68	111.76	116.84	121.92	
	66.04	71.12	76.20	81.28	86.36	91.44	96.52	101.60	106.68	111.76	116.84	
	±0.20		±0.25			±0.30						

ANYTEK

CUSTOMER COPY

ALL RIGHTS RESERVED. REPRODUCTION OR ISSUE TO THIRD PARTY FROM WHATEVER IS NOT PERMITTED WITHOUT WRITTEN AUTHORIZATION. PROPRIETOR: PROPERTY OF ANYTEK TECHNOLOGY CO., LTD.

TITLE		VI 5.08 SERIES 4P-24P 180° wire inlet (without cover) Horizontal-solid block			
PART NO.		V1xx21x5xxxxG		DWG NO.	BV10302
APPROVED	CHECKED	DESIGNED	DRAWN	CUST NO.	
		Aaron 2009.09.16	Aaron 2009.09.16		
				UNIT: mm	
				SCALE: NONE	
				SHEET: 01/01	REV: C