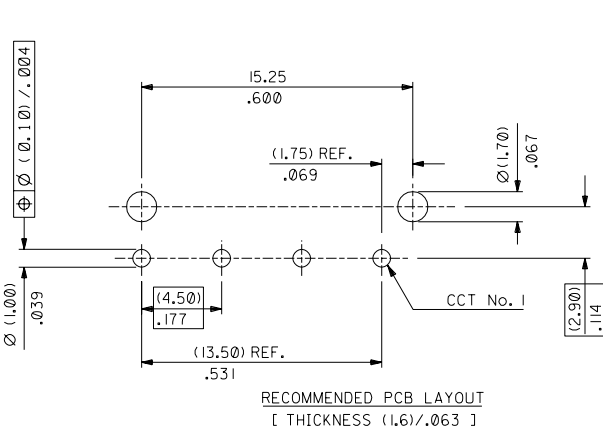
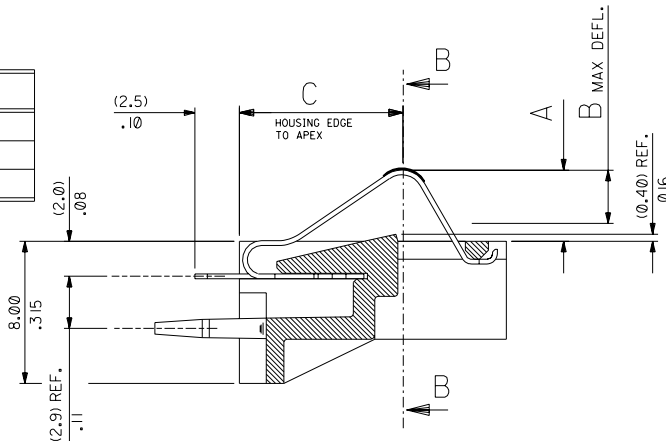


PART NUMBER:	CCT TYPE:	A DIM.	B DIM.	C DIM.
90803-1001	STANDARD	(4.0)/.16	(3.0)/.12	(9.2)/.36
90803-1002	LATE-MATE	(3.5)/.14	(2.5)/.10	(9.5)/.37

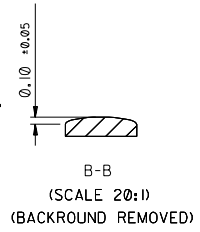
PART NUMBER:	CCTS.	LATE-MATE CCT:	QTY PER TUBE
90803-1001	4	NONE	27
90803-1002	4	2, 3, 4	27



SECTION A-A

90803-1001 DRAWN FOR CLARITY

- NOTES:**
- HOUSING: GLASS FILLED NYLON 46, RATED UL 94V-0 COLOUR - BLACK
 - TERMINAL: (0.27)/.011 MIN. REF. THICK COPPER ALLOY (PHOS-BRONZE) PLATING: (0.125u)/5u INCH MIN. GOLD FLASH ON (1.0u)/40u INCH MIN. PALLADIUM NICKEL, WITH (1.75u)/70u INCH MIN NICKEL UNDERPLATE, (3-5u)/120-200u INCH TIN IN SOLDER TAIL AREA WITH (1.27u)/50u INCH MIN NICKEL OVERALL
 - PRODUCTS ARE TO BE SUPPLIED IN TUBES



REV	DESCRIPTION
B	REMOVE LEAD FROM PLATING EC NO. E2804-0574 DRWN: DCARTON 11/2/03 CHK: APPR:

QUALITY SYMBOLS	
MAJOR	▲
CRITICAL	▼
C =	▽

GENERAL TOLERANCES: (UNLESS SPECIFIED)	
4 PLACES	±0.1
3 PLACES	±0.15
2 PLACES	±0.2
1 PLACE	±0.25

SCALE	DESIGN UNITS
5:1	<input checked="" type="checkbox"/> mm <input type="checkbox"/> INCH

DIMENSIONS:		SHT	REV
<input checked="" type="checkbox"/> mm	<input type="checkbox"/> INCH		

TITLE: BATTERY CONNECTOR ASSEMBLY (4.50)/.177 CENTRES

MATERIAL NO. SEE CHART

DRAWING NO. SDA-90803

SHEET NO. 1 OF 1

THIS DRAWING CONTAINS INFORMATION THAT IS PROPRIETARY TO MOLEX INCORPORATED AND SHOULD NOT BE USED WITHOUT WRITTEN PERMISSION.