

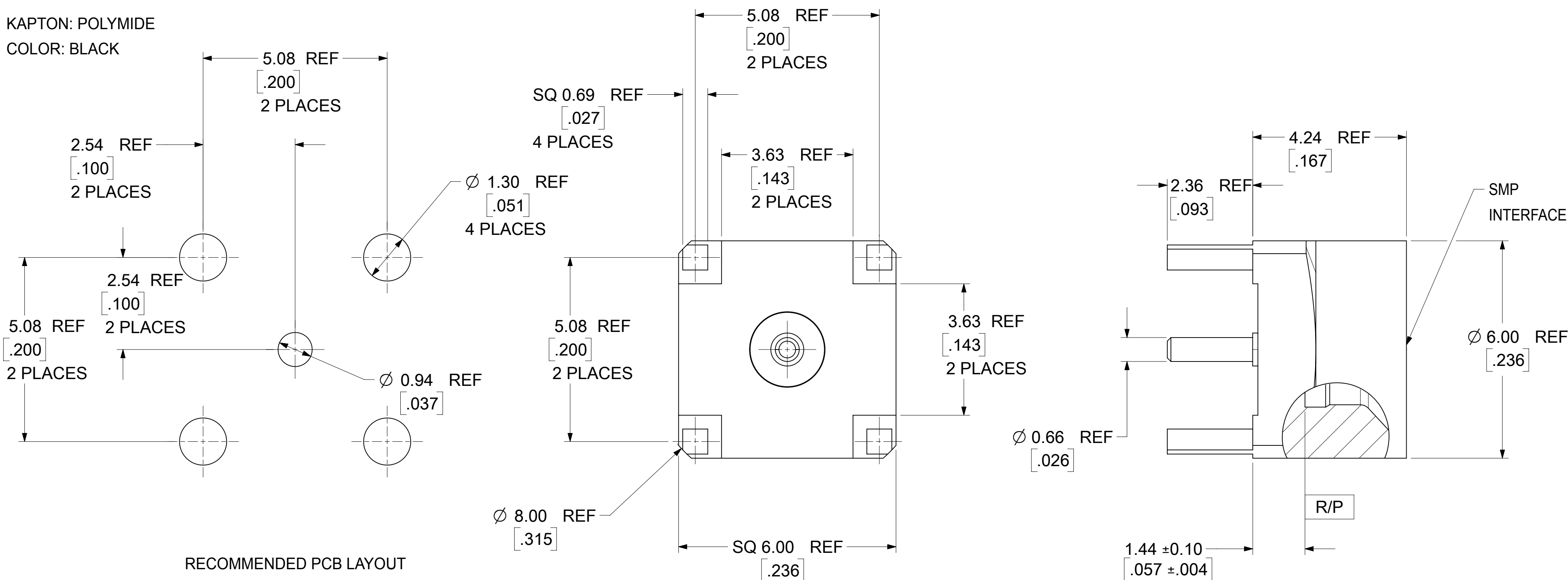
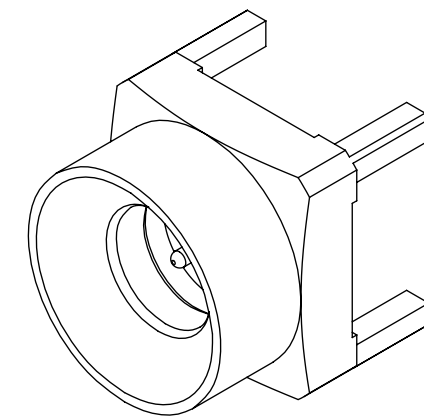
MATERIALS AND FINISHES:

BODY: BRASS
 PLATED: GOLD (30μ-in MIN)
 OVER NICKEL (100μ-in MIN)

CENTER CONTACT: BERYLLIUM COPPER
 PLATED: GOLD (30μ-in MIN)
 OVER NICKEL (100μ-in MIN)

INSULATOR: PTFE

KAPTON: POLYIMIDE
 COLOR: BLACK



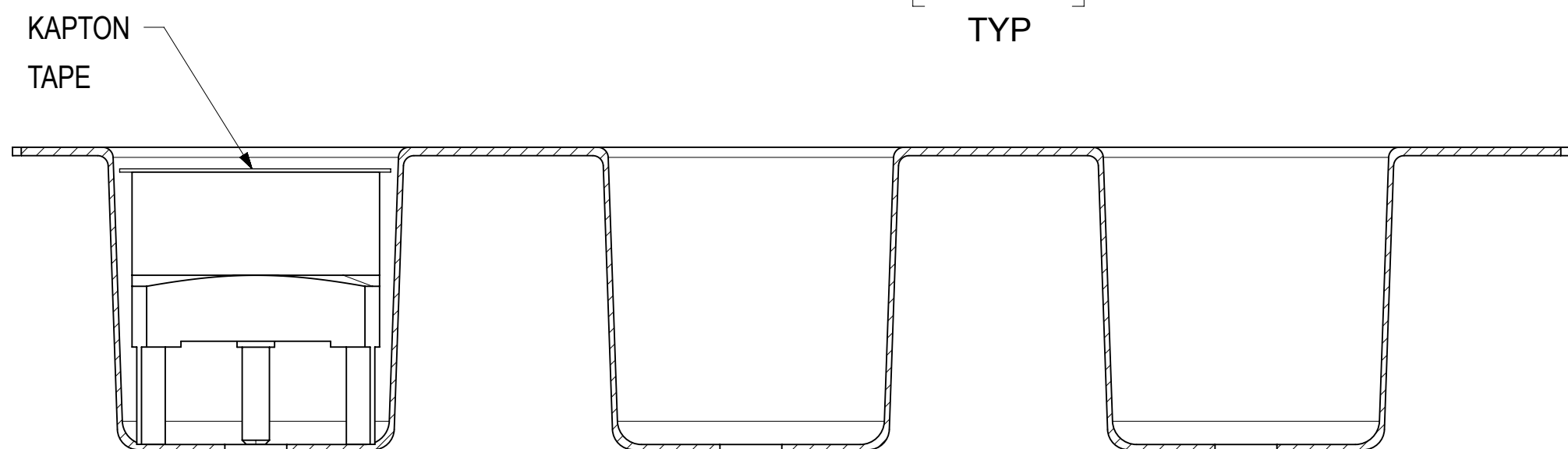
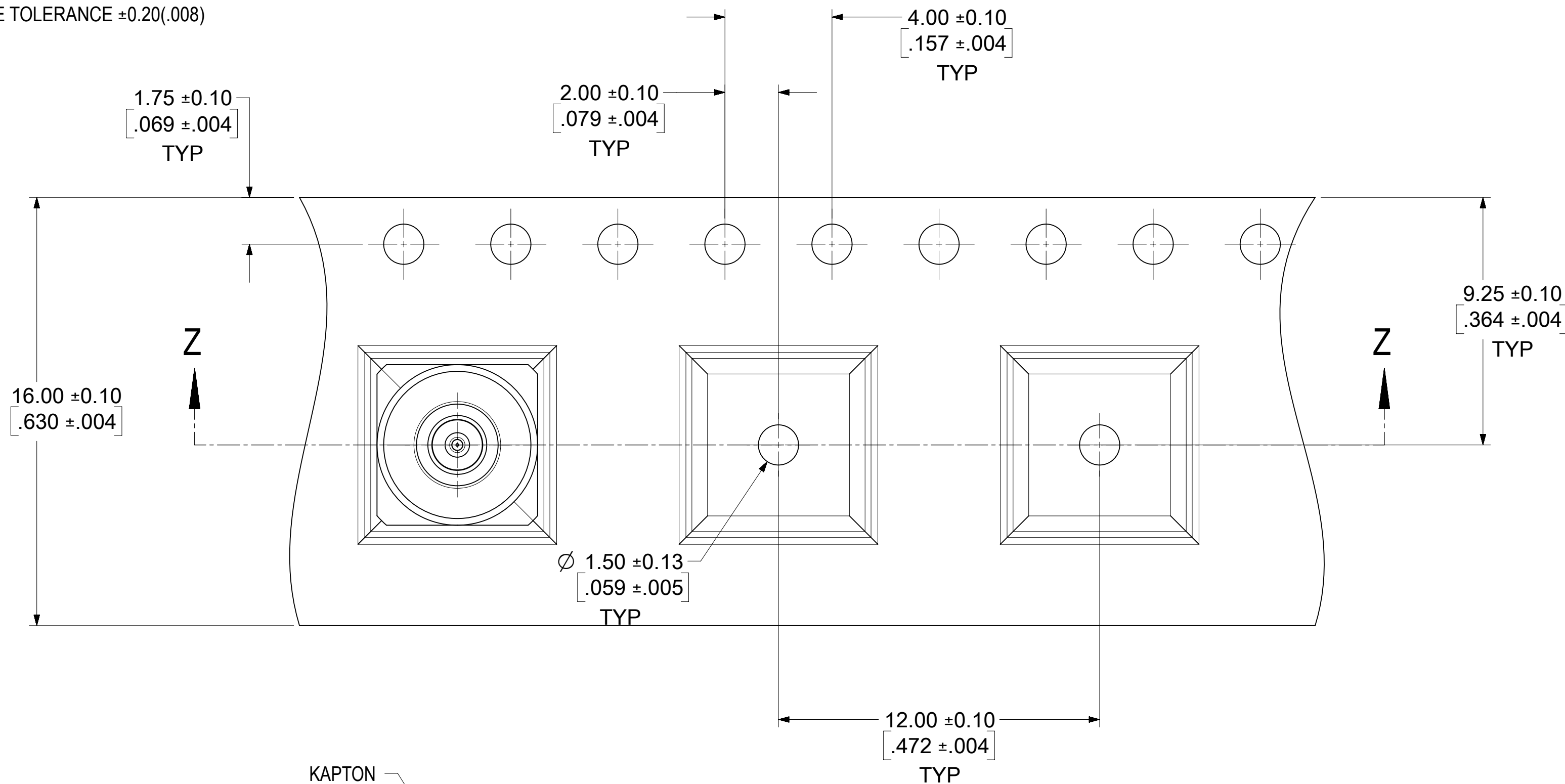
73415-6031	ONE PER BAG	895420470
73415-6030	TAPE & REEL	-----
PART #	PACKAGING	PACKING SPEC

PS-89675-3320	PRODUCT SPECIFICATION
MIL-STD-348B, FIG. 326.3	INTERFACE SMP LD
SPECIFICATION	DESCRIPTION

FUNCTIONAL SYMBOLS	THIS DRAWING CONTAINS INFORMATION THAT IS PROPRIETARY TO MOLEX ELECTRONIC TECHNOLOGIES, LLC AND SHOULD NOT BE USED WITHOUT WRITTEN PERMISSION															
	DIMENSION UNITS	SCALE	CURRENT REV DESC:							<p>SMP PLUG, STRAIGHT WITH LIMITED DETENTS, PCB EWR-2972, SMP-P/PCB</p>						
	MM/INCH	NTS	EWR # 15321-E ADDED -6031 PART NO													
GENERAL TOLERANCES (UNLESS SPECIFIED)		EC NO: 718007 DRWN: JSU18 2022/08/11 CHK'D: YCHENG 2022/08/24 APPR: YCHENG 2022/08/24														
ANGULAR TOL ± 2.0°		4 PLACES ±		INITIAL REVISION:							DOCUMENT NUMBER		DOC TYPE	DOC PART	REVISION	
DIVISIONAL SYMBOLS	3 PLACES ±		2 PLACES ± 0.25		1 PLACE ±		0 PLACES ±			DRWN: TFLAHERTY 2006/08/28 APPR: JWIENER 2006/08/28		SD-73415-603		PSD	001	A2
DRAFT WHERE APPLICABLE MUST REMAIN WITHIN DIMENSIONS		THIRD ANGLE PROJECTION		DRAWING		SERIES		MATERIAL NUMBER		CUSTOMER		SHEET NUMBER				
		C-SIZE		73415		GENERAL MARKET		1 OF 3								

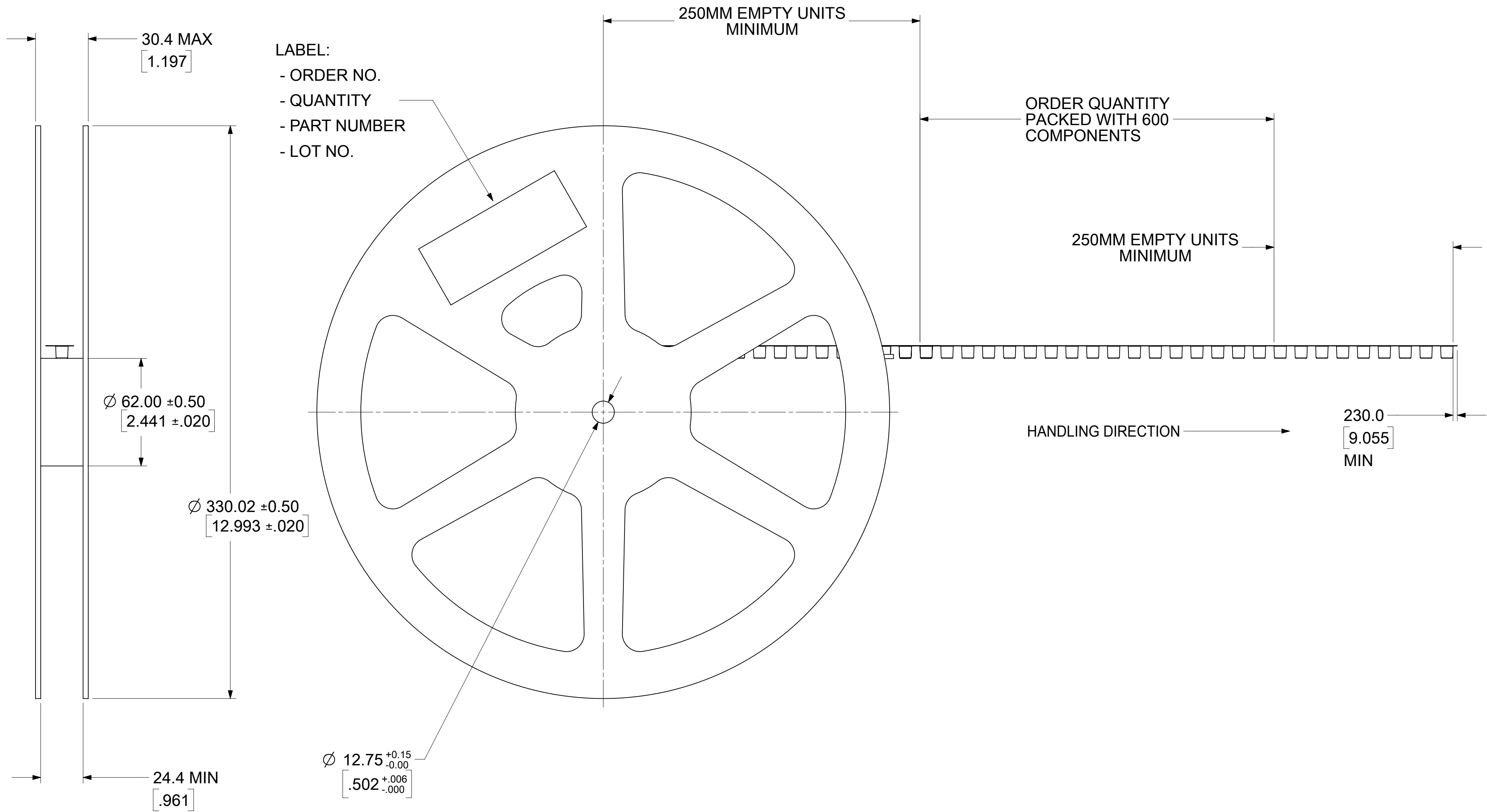
DOCUMENT STATUS	P1	RELEASE DATE	2022/08/24 02:18:10
-----------------	----	--------------	---------------------

NOTE:
1. 10 PITCHES CUMULATIVE TOLERANCE ±0.20(.008)



SECTION Z-Z

FUNCTIONAL SYMBOLS	THIS DRAWING CONTAINS INFORMATION THAT IS PROPRIETARY TO MOLEX ELECTRONIC TECHNOLOGIES, LLC AND SHOULD NOT BE USED WITHOUT WRITTEN PERMISSION											
	FA = 0	MM/INCH	NTS	CURRENT REV DESC:								
FC = 0	GENERAL TOLERANCES (UNLESS SPECIFIED)			EWR # 15321-E ADDED -6031 PART NO								
FD = 0	ANGULAR TOL ± 2.0°			EC NO: 718007							SMP PLUG, STRAIGHT WITH LIMITED DETENTS, PCB EWR-2972, SMP-P/PCB	
DIVISIONAL SYMBOLS	4 PLACES ±	DRWN: JSU18			2022/08/11		PRODUCT CUSTOMER DRAWING					
	3 PLACES ±	CHK'D: YCHENG			2022/08/24		DOCUMENT NUMBER					
	2 PLACES ± 0.25	APPR: YCHENG			2022/08/24		SD-73415-603		DOC TYPE	DOC PART	REVISION	
	1 PLACE ±	INITIAL REVISION:			2006/08/28		PSD		001	A2		
0 PLACES ±	DRWN: TFLAHERTY			2006/08/28		MATERIAL NUMBER		CUSTOMER		SHEET NUMBER		
DRAFT WHERE APPLICABLE MUST REMAIN WITHIN DIMENSIONS			THIRD ANGLE PROJECTION	DRAWING	SERIES	GENERAL MARKET		2 OF 3				



THIS DRAWING CONTAINS INFORMATION THAT IS PROPRIETARY TO MOLEX ELECTRONIC TECHNOLOGIES, LLC AND SHOULD NOT BE USED WITHOUT WRITTEN PERMISSION									
FUNCTIONAL SYMBOLS	DIMENSION UNITS	SCALE	CURRENT REV DESC:				molex		
$\frac{F}{A} = 0$	MM/INCH	NTS	EWR # 15321-E ADDED -6031 PART NO						
$\frac{F}{C} = 0$	GENERAL TOLERANCES (UNLESS SPECIFIED)		EC NO: 718007				SMP PLUG, STRAIGHT WITH LIMITED DETENTS, PCB EWR-2972, SMP-P/PCB		
$\frac{F}{P} = 0$	ANGULAR TOL ± 2.0°		DRWN: JSU18 2022/08/11				PRODUCT CUSTOMER DRAWING		
DIVISIONAL SYMBOLS	4 PLACES ±		CHK'D: YCHENG 2022/08/24				DOCUMENT NUMBER		
	3 PLACES ±		APPR: YCHENG 2022/08/24				SD-73415-603		
	2 PLACES ± 0.25		INITIAL REVISION:				DOC TYPE DOC PART REVISION		
	1 PLACE ±		DRWN: TFLAHERTY 2006/08/28				PSD 001 A2		
	0 PLACES ±		APPR: JWIENER 2006/08/28				SHEET NUMBER		
DRAFT WHERE APPLICABLE MUST REMAIN WITHIN DIMENSIONS			THIRD ANGLE PROJECTION	DRAWING	SERIES	MATERIAL NUMBER	CUSTOMER	SHEET NUMBER	
				C-SIZE	73415		GENERAL MARKET	3 OF 3	