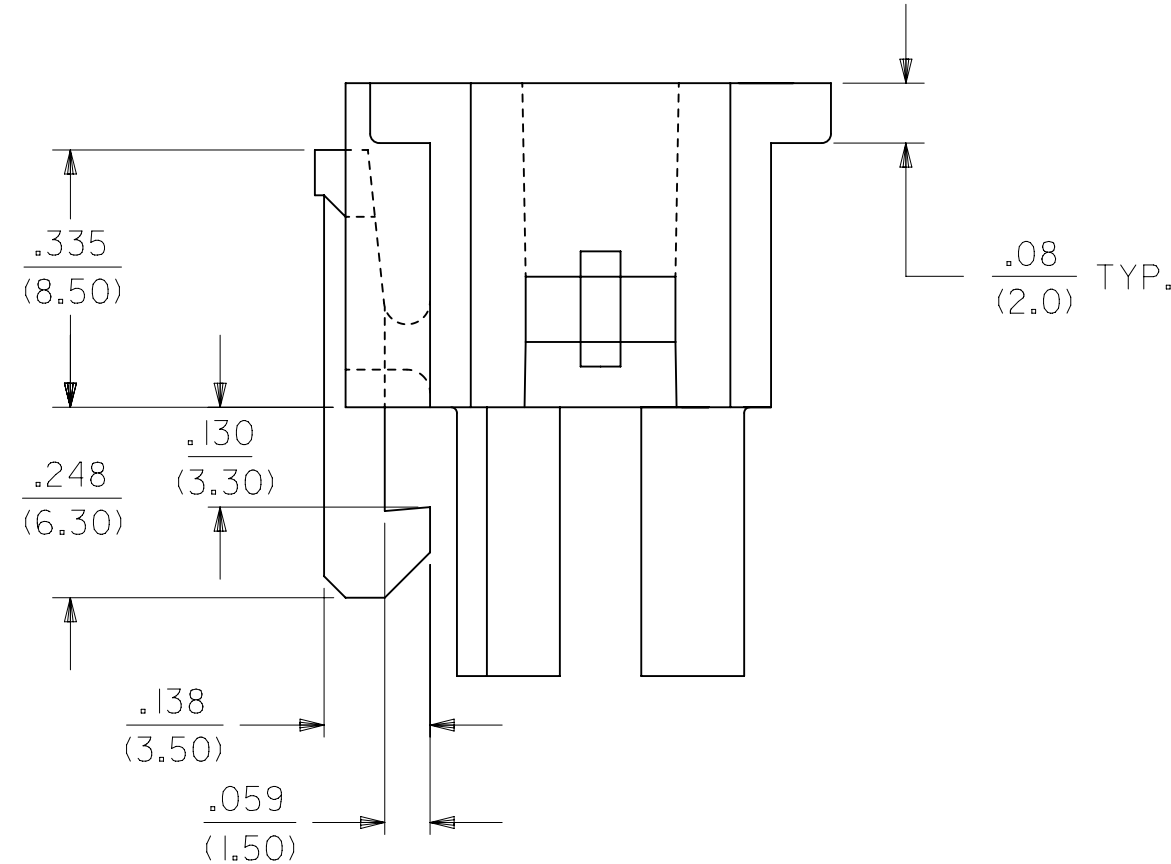
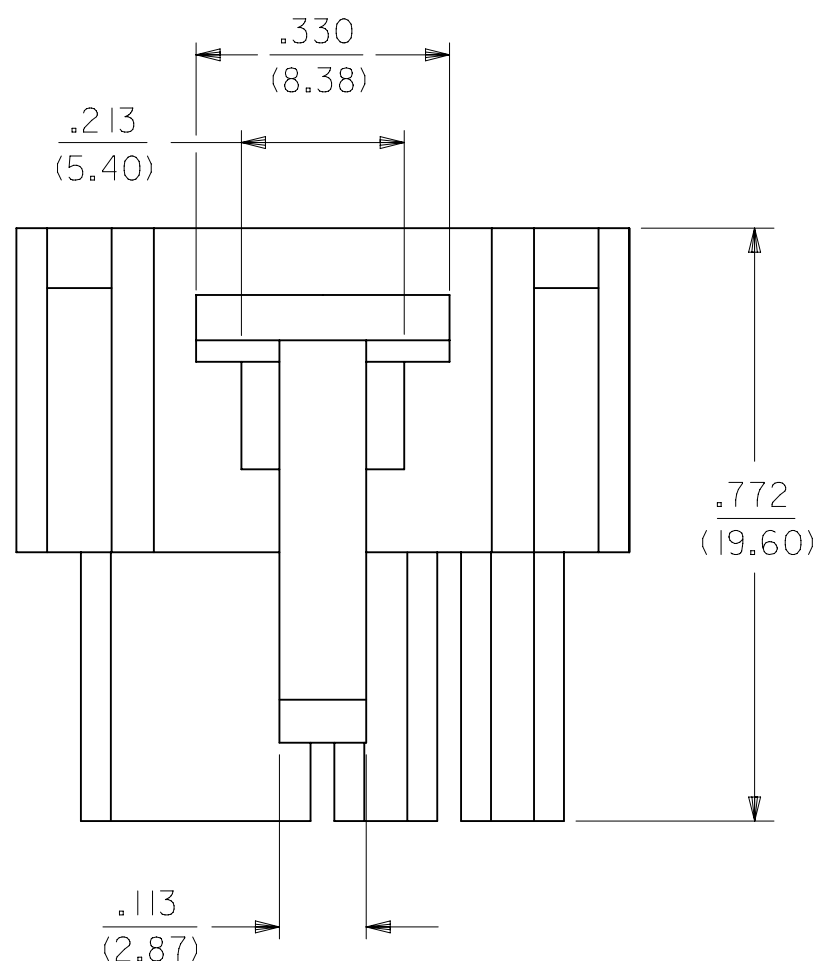
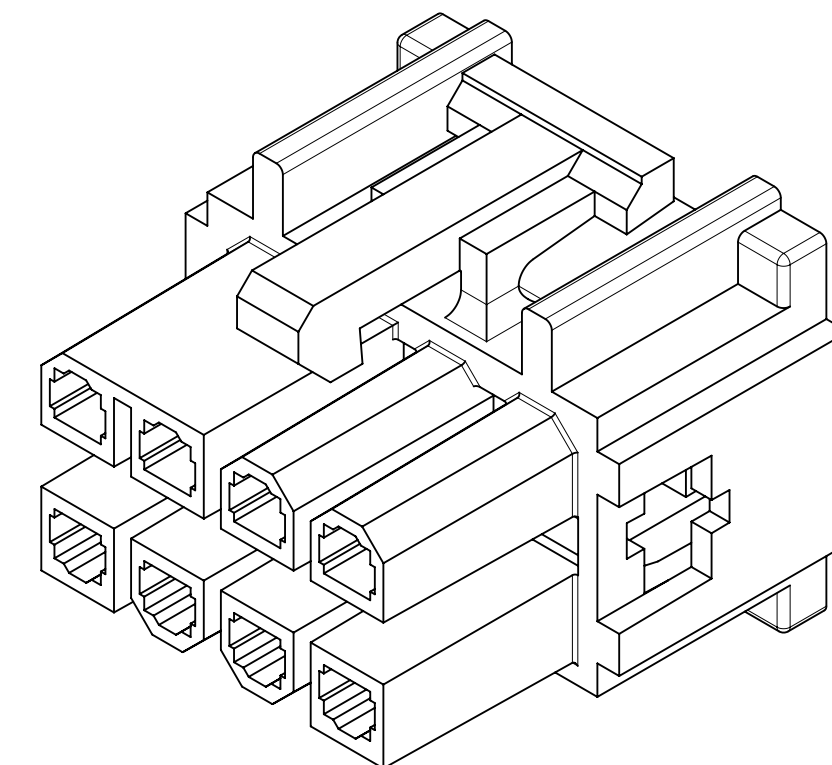
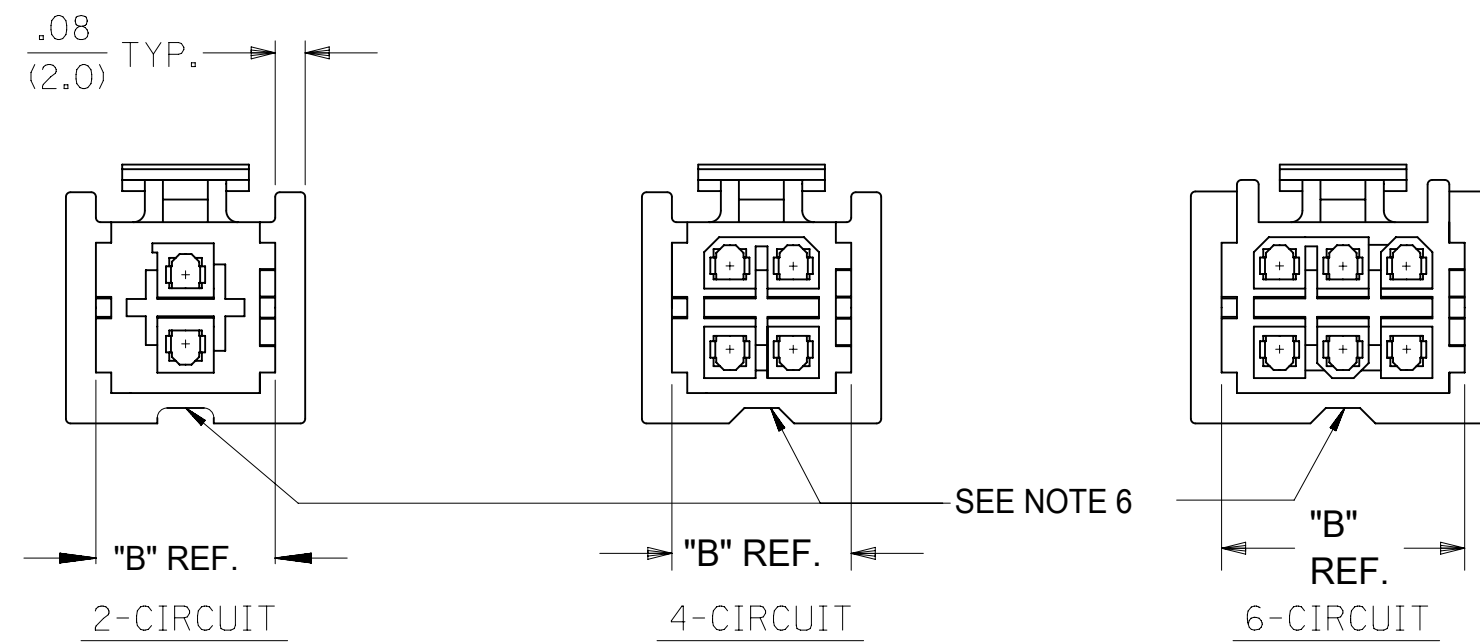
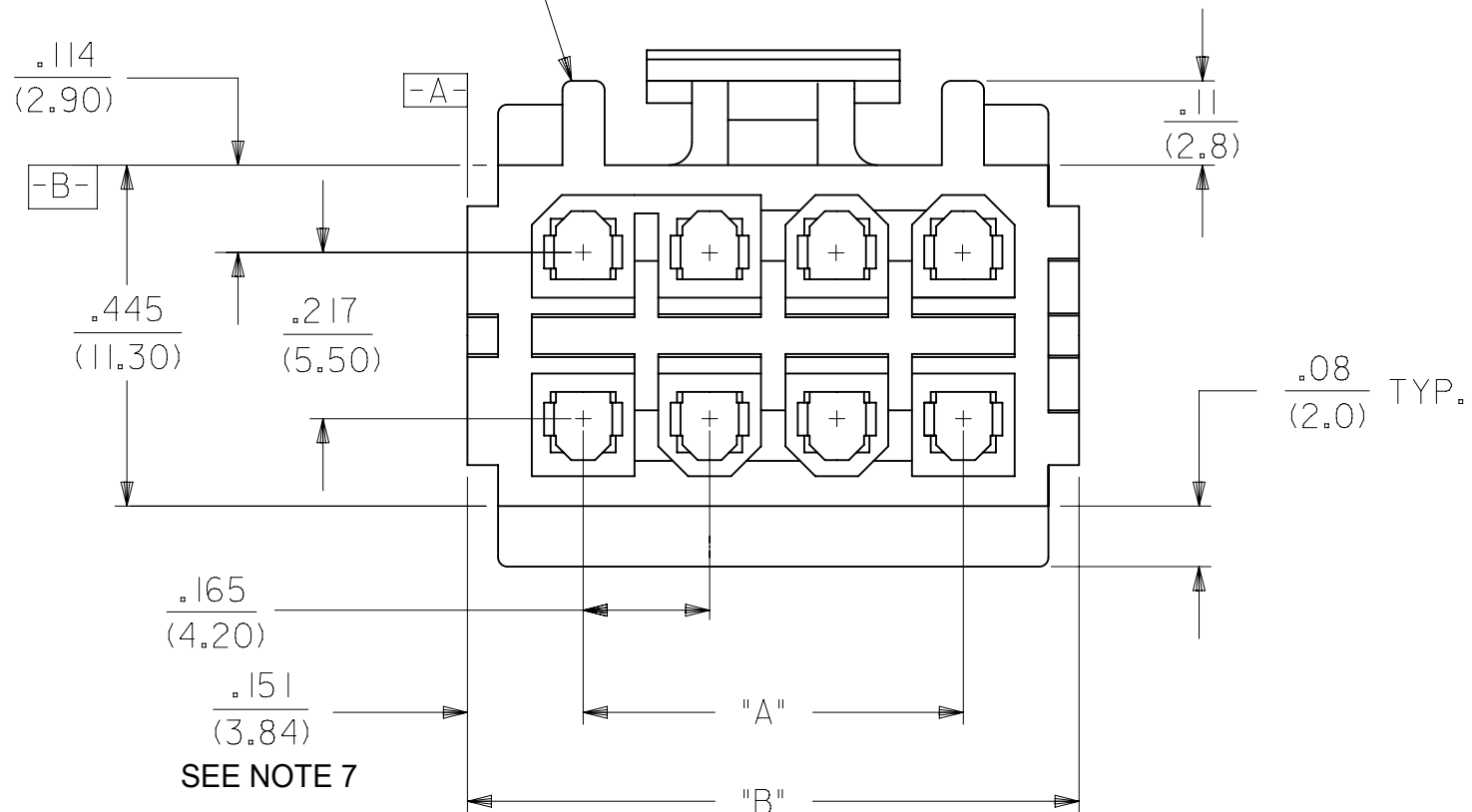


PROTECTIVE SIDES AVAILABLE ON ALL CIRCUITS EXCEPT TWO AND FOUR CIRCUITS.



PROTECTIVE SIDES AVAILABLE ON ALL CIRCUITS EXCEPT TWO AND FOUR CIRCUITS.



NOTES:

1. MATERIAL: UNFILLED POLYESTER, U.L. 94V-0. HOUSING COLOR: SEE CHART.
2. FINISH: N/A.
3. PRODUCT SPECIFICATION: PS-5556-003.
4. PACKAGING SPECIFICATION: PK-30067-001.
5. HOUSING TO BE USED WITH TERMINAL #5556, AND T.P.A. LOCK #30072-*. RECEPTACLE HOUSING TO MATE WITH PLUG HOUSING #30068, ST. HEADER #30069, AND RT. ANGLE HEADERS #30070 & #44483. HOUSING ACCEPTS CONNECTOR POSITIONING ASSURANCE (C.P.A.) LOCK #30071.
6. RELIEF NOTCH IS OPTIONAL AND MAY OR MAY NOT APPEAR ON 2, 4, 6, 10 & 12 CIRCUIT HOUSINGS ONLY.
7. FOR 2 CKT HOUSING, DIMENSION IS .231/5.88.
8. FOR 2 CKT HOUSINGS, DIMENSION IS .069/1.74.
9. THIS PART CONFORMS TO CLASS B REQUIREMENTS OF COSMETIC SPEC PS-45499-002.
10. TEXT ON PART IS FOR REFERENCE ONLY. TEXT AND TEXT LOCATION MAY VARY DEPENDING ON PART NUMBER AND/OR TOOL.
11. BUBBLE IS ACCEPTABLE ON LATCH AREA.

THIS DRAWING CONTAINS INFORMATION THAT IS PROPRIETARY TO MOLEX ELECTRONIC TECHNOLOGIES, LLC AND SHOULD NOT BE USED WITHOUT WRITTEN PERMISSION											
DIMENSION UNITS		SCALE		CURRENT REV DESC:							
INCH		NTS									
GENERAL TOLERANCES (UNLESS SPECIFIED)				EC NO: 725052		2022/10/18		2-16 CKT. RECPT. HSG. MINI-FIT T.P.A. SERIES			
				DRWN: JERRYW8		2022/10/21					
4 PLACES ±				CHK'D: XQZHANG		2022/10/21		PRODUCT CUSTOMER DRAWING			
3 PLACES ±				APPR: XQZHANG		2022/10/21					
2 PLACES ± 0.25 ± 0.014				INITIAL REVISION:				DOCUMENT NUMBER: SD-30067-X DOC TYPE: PSD DOC PART: 001 REVISION: J1			
1 PLACE ± 0.36 ±				DRWN: RJF		1991/09/23					
0 PLACES ±				APPR: FSMITH		2010/10/25		MATERIAL NUMBER: SEE TABLE CUSTOMER: GENERAL MARKET SHEET NUMBER: 1 OF 2			
ANGULAR TOL ± 0.5 °				THIRD ANGLE PROJECTION		DRAWING SERIES: C-SIZE 30067					
DRAFT WHERE APPLICABLE MUST REMAIN WITHIN DIMENSIONS				DRAWING SERIES: C-SIZE		30067					

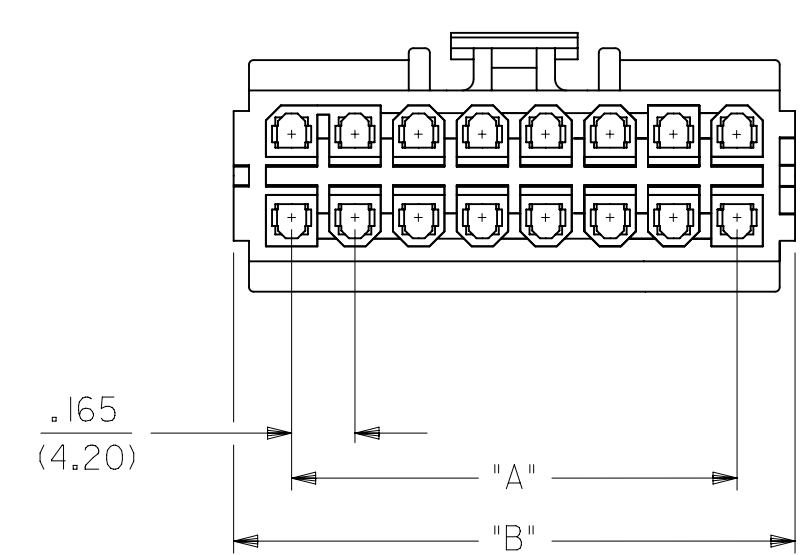
CKT. SIZE	BLACK		NATURAL		DIM. "A"	DIM. "B"
	ENG. NO.	EDP. NO.	ENG. NO.	EDP. NO.		
02	30067-02A2	15-97-5021			—	.467 (11.86)
04	30067-04A2	15-97-5041	30067-0412	30067-0412	.165 (4.20)	.467 (11.86)
06	30067-06A2	15-97-5061			.331 (8.40)	.633 (16.08)
08	30067-08A2	15-97-5081			.496 (12.60)	.798 (20.27)
10	30067-10A2	15-97-5101			.661 (16.80)	.963 (24.46)
12	30067-12A2	15-97-5121			.827 (21.00)	1.129 (28.68)
14	30067-14A2	NOT TOOLED			.992 (25.20)	1.294 (32.87)
16	30067-16A2	15-97-5161			1.157 (29.40)	1.459 (37.06)

LEGEND:

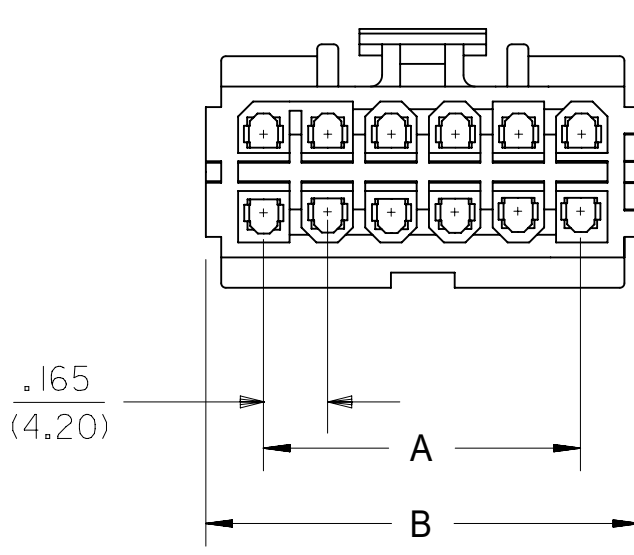
30067 - ** * 2

CIRCUIT SIZE (02-16)

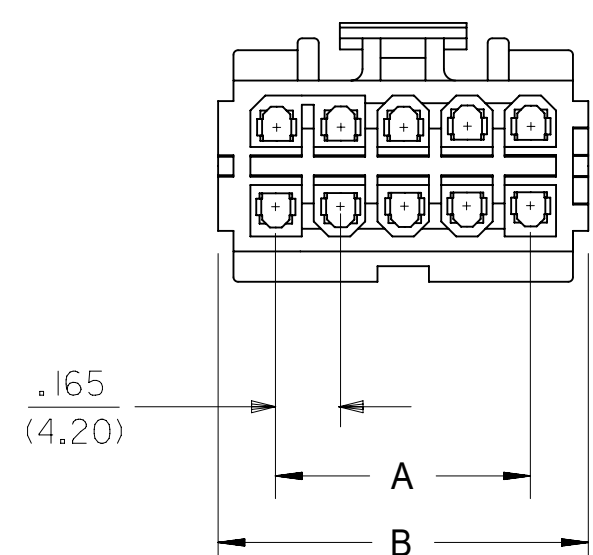
HOUSING COLOR
A = BLACK
1 = NATURAL



16 CIRCUITS



12 CKT.



10 CKT.

THIS DRAWING CONTAINS INFORMATION THAT IS PROPRIETARY TO MOLEX ELECTRONIC TECHNOLOGIES, LLC AND SHOULD NOT BE USED WITHOUT WRITTEN PERMISSION									
DIMENSION UNITS		SCALE		CURRENT REV DESC:					
INCH		NTS							
GENERAL TOLERANCES (UNLESS SPECIFIED)				EC NO: 725052				2-16 CKT. RECPT. HSG. MINI-FIT T.P.A. SERIES	
				DRWN: JERRYW8 2022/10/18					
4 PLACES ±				CHK'D: XQZHANG 2022/10/21				PRODUCT CUSTOMER DRAWING	
3 PLACES ± 0.01				APPR: XQZHANG 2022/10/21					
2 PLACES ± 0.25 ± 0.014				INITIAL REVISION:				DOCUMENT NUMBER SD-30067-X	
1 PLACE ± 0.36 ±				DRWN: RJF 1991/09/23					
0 PLACES ±				APPR: FSMITH 2010/10/25				DOC TYPE DOC PART REVISION PSD 001 J1	
ANGULAR TOL ± 0.5 °				THIRD ANGLE PROJECTION		DRAWING		MATERIAL NUMBER	
DRAFT WHERE APPLICABLE MUST REMAIN WITHIN DIMENSIONS						C-SIZE		CUSTOMER GENERAL MARKET	
				SERIES		SHEET NUMBER			
				30067		2 OF 2			