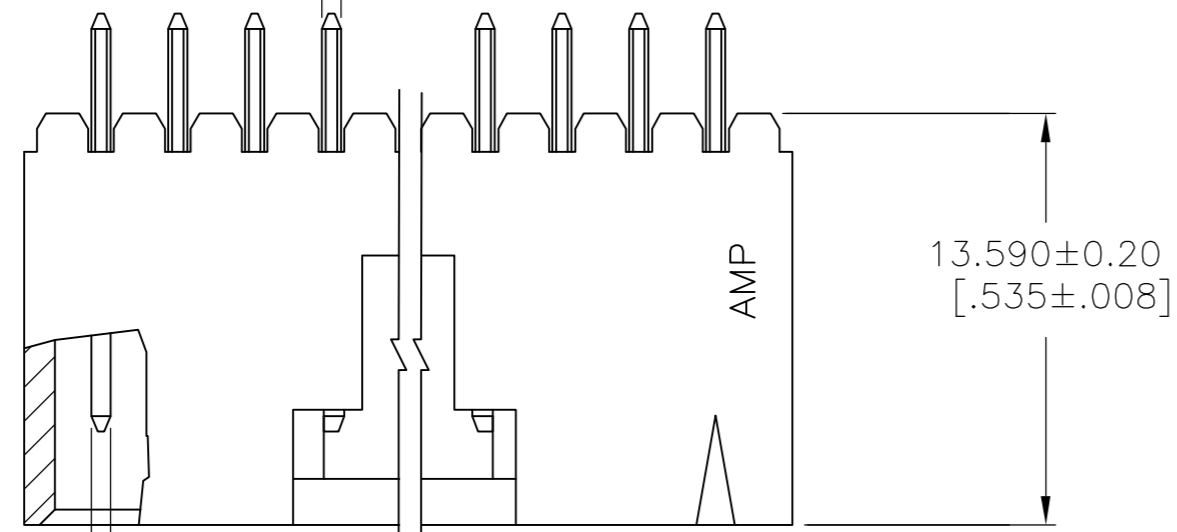


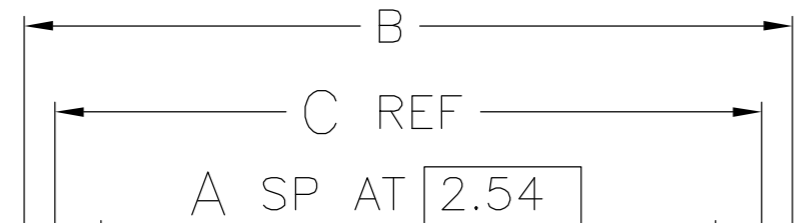
THIS DRAWING IS UNPUBLISHED. RELEASED FOR PUBLICATION  
 © COPYRIGHT BY TYCO ELECTRONICS CORPORATION. ALL RIGHTS RESERVED.

LOC	DIST	REVISIONS			
P	LTR	DESCRIPTION	DATE	DWN	APVD
AD	00	F	EC 0G3C 0786 04	29JAN05	BSV JLG

$\phi 0.38[.015]$  (M)  
TYP AT POST TIPS



0.64±0.02 [0.025±.001]  
 $\phi 0.38[.015]$  (M)  
TYP AT POST TIPS



$\triangle 3$  1.52±0.08 [0.060±.003]  
2 PLC

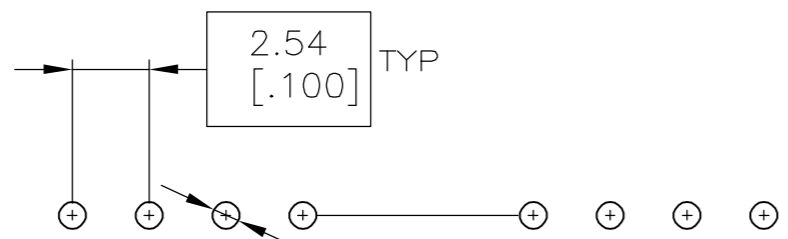
3.05<sup>+0.13</sup><sub>-0.18</sub> [.120<sup>+0.005</sup><sub>-0.007</sub>]

$\triangle 3$  1.52±0.08 [0.060±.003]

2.54 [0.100]

5.08±0.08 [0.200±.003]

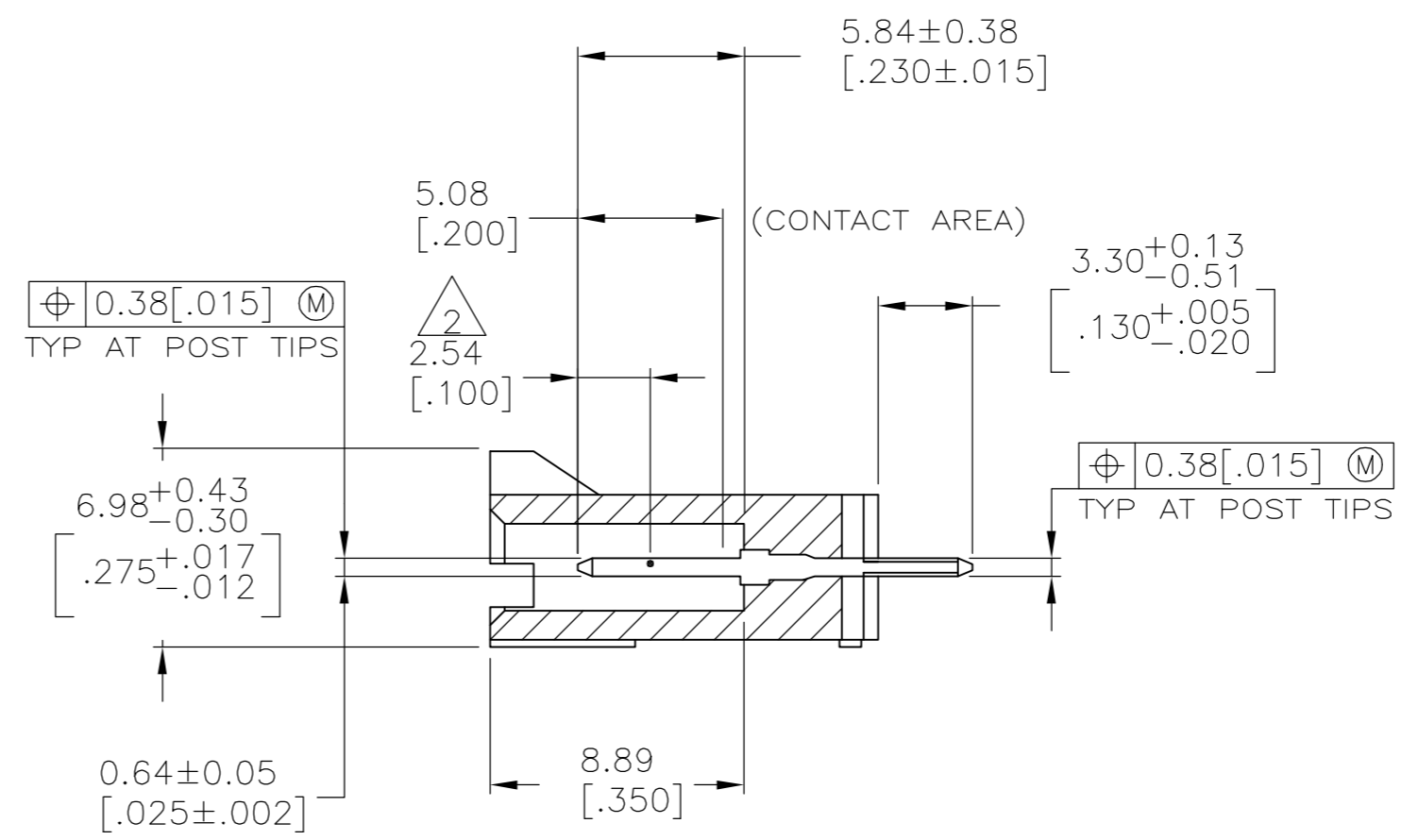
POSN NO. REF (SEE TABLE)



$\phi 0.89\pm 0.08$  [ $\phi 0.035\pm 0.003$ ] TYP  
 $\phi \phi 0.08[.003]$  (S)

RECOMMENDED HOLE LAYOUT

- $\triangle 1$  .00076[.000030] GOLD IN THE CONTACT AREA, .00254[.000100] - .00508[.000200] MATTE TIN-LEAD ON THE SOLDER TAIL, ALL OVER .00127[.000050] NICKEL.
- $\triangle 2$  POINT OF MEASUREMENT FOR PLATING THICKNESS.
- $\triangle 3$  THE NOTED DIMENSIONS APPLY AT THE INTERSECTION OF THE POST AND THE HOUSING.
- $\triangle 4$  .00076[.000030] GOLD IN THE CONTACT AREA, .00254[.000100] - .00508[.000200] MATTE TIN ON THE SOLDER TAIL, ALL OVER .00127[.000050] NICKEL.
- $\triangle 5$  HIGH TEMPERATURE CONFIGURATION.
- $\triangle 6$  STANDOFF NOT PRESENT ON UNDERSIDE OF ASSEMBLY



$\triangle 6$ $\triangle 5$	$\triangle 4$	2,3,5,6,9,10,13,14	41.15 [1.620]	43.18 [1.700]	15	16	5-104912-2
$\triangle 6$ $\triangle 5$	$\triangle 4$	2, 4, 6, 8, 10	28.45 [1.120]	30.48 [1.200]	10	11	5-104912-1
	$\triangle 1$	2,3,5,6,9,10,13,14	41.15 [1.620]	43.18 [1.700]	15	16	104912-2
	$\triangle 1$	2, 4, 6, 8, 10	28.45 [1.120]	30.48 [1.200]	10	11	104912-1
REMARKS	PLATING	POST NUMBER OMITTED	C	B	A	NO. OF POSN	PART NO.

THIS DRAWING IS A CONTROLLED DOCUMENT.

DIMENSIONS: mm [INCHES]	TOLERANCES UNLESS OTHERWISE SPECIFIED:	DWN E.BRANDBERG 20-7-94	Tyco Electronics Corporation Harrisburg, Pa 17105-3608																															
<table border="1"> <tr><td>0 PLC</td><td>± -</td></tr> <tr><td>1 PLC</td><td>± -</td></tr> <tr><td>2 PLC</td><td>± 0.13[.005]</td></tr> <tr><td>3 PLC</td><td>± -</td></tr> <tr><td>4 PLC</td><td>± -</td></tr> <tr><td>ANGLES</td><td>± -</td></tr> <tr><td>FINISH</td><td>SEE TABLE</td></tr> </table>	0 PLC	± -		1 PLC	± -	2 PLC	± 0.13[.005]	3 PLC	± -	4 PLC	± -	ANGLES	± -	FINISH	SEE TABLE	<table border="1"> <tr><td>CHK J.GESFORD 20-7-94</td></tr> <tr><td>APVD J.GESFORD 20-7-94</td></tr> <tr><td>PRODUCT SPEC 108-25034</td></tr> <tr><td>APPLICATION SPEC 114-25026</td></tr> <tr><td>WEIGHT -</td></tr> <tr><td>CUSTOMER DRAWING</td></tr> </table>	CHK J.GESFORD 20-7-94	APVD J.GESFORD 20-7-94	PRODUCT SPEC 108-25034	APPLICATION SPEC 114-25026	WEIGHT -	CUSTOMER DRAWING	<table border="1"> <tr><td>NAME</td><td>HDR ASSY, VERT, SINGLE ROW</td></tr> <tr><td></td><td>2.54[.100]CL, 0.64[.025] SQ POST, WITH PLZN, AMPMODU MTE</td></tr> <tr><td>SIZE</td><td>A2</td></tr> <tr><td>CAGE CODE</td><td>00779</td></tr> <tr><td>DRAWING NO</td><td>C=104912</td></tr> <tr><td>RESTRICTED TO</td><td>-</td></tr> </table>	NAME	HDR ASSY, VERT, SINGLE ROW		2.54[.100]CL, 0.64[.025] SQ POST, WITH PLZN, AMPMODU MTE	SIZE	A2	CAGE CODE	00779	DRAWING NO	C=104912	RESTRICTED TO
0 PLC	± -																																	
1 PLC	± -																																	
2 PLC	± 0.13[.005]																																	
3 PLC	± -																																	
4 PLC	± -																																	
ANGLES	± -																																	
FINISH	SEE TABLE																																	
CHK J.GESFORD 20-7-94																																		
APVD J.GESFORD 20-7-94																																		
PRODUCT SPEC 108-25034																																		
APPLICATION SPEC 114-25026																																		
WEIGHT -																																		
CUSTOMER DRAWING																																		
NAME	HDR ASSY, VERT, SINGLE ROW																																	
	2.54[.100]CL, 0.64[.025] SQ POST, WITH PLZN, AMPMODU MTE																																	
SIZE	A2																																	
CAGE CODE	00779																																	
DRAWING NO	C=104912																																	
RESTRICTED TO	-																																	

SCALE 4:1 SHEET 1 OF 1 REV F